



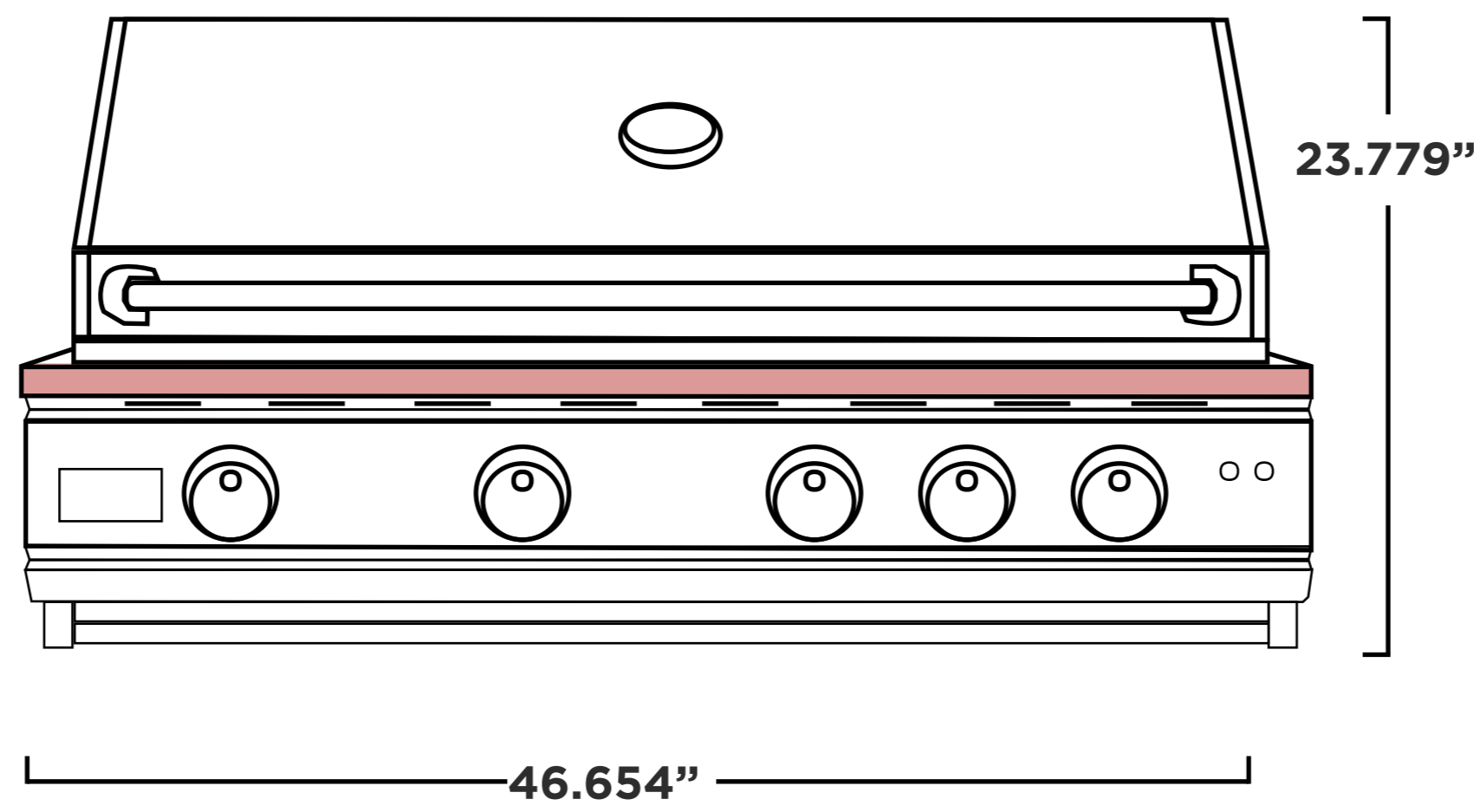
# SUMMERSET

PROFESSIONAL GRILLS

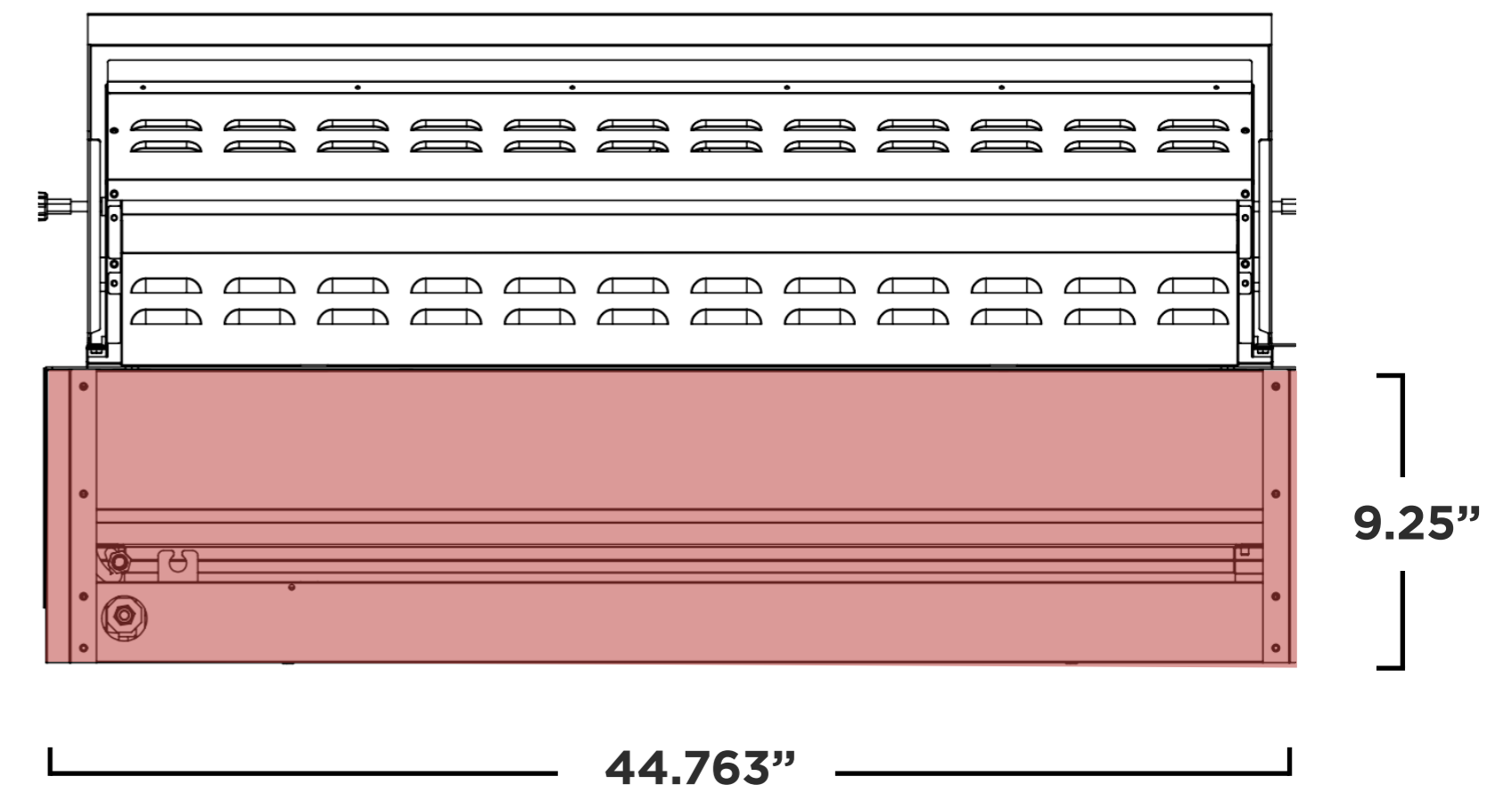
## 44" - TRLD

<b>Model</b>	TRLD44
<b>Cutout Dimensions**</b>	45.25"W x 11"H x 20"D
<b>Actual Dimensions</b>	46.654"W x 23.779"H x 25.551"D
<b>Material</b>	#304 Stainless Steel
<b>Burner Count</b>	4 Main Burner
<b>Total BTU</b>	95,000 BTU
<b>Total Cooking Surface</b>	1,251 sq. in.
<b>Electical Supply</b>	120 VAC, 60 HZ - Input 12 VAC, 5000 mA, 60W - Output
<b>Gas Inlet NG</b>	3/8" NPT Female Regulator
<b>Gas Inlet LP</b>	3/8" NPT Male Fitting
<b>Power Cord Length</b>	13 ft. : 77" Power Cord + 80" Trans Wire

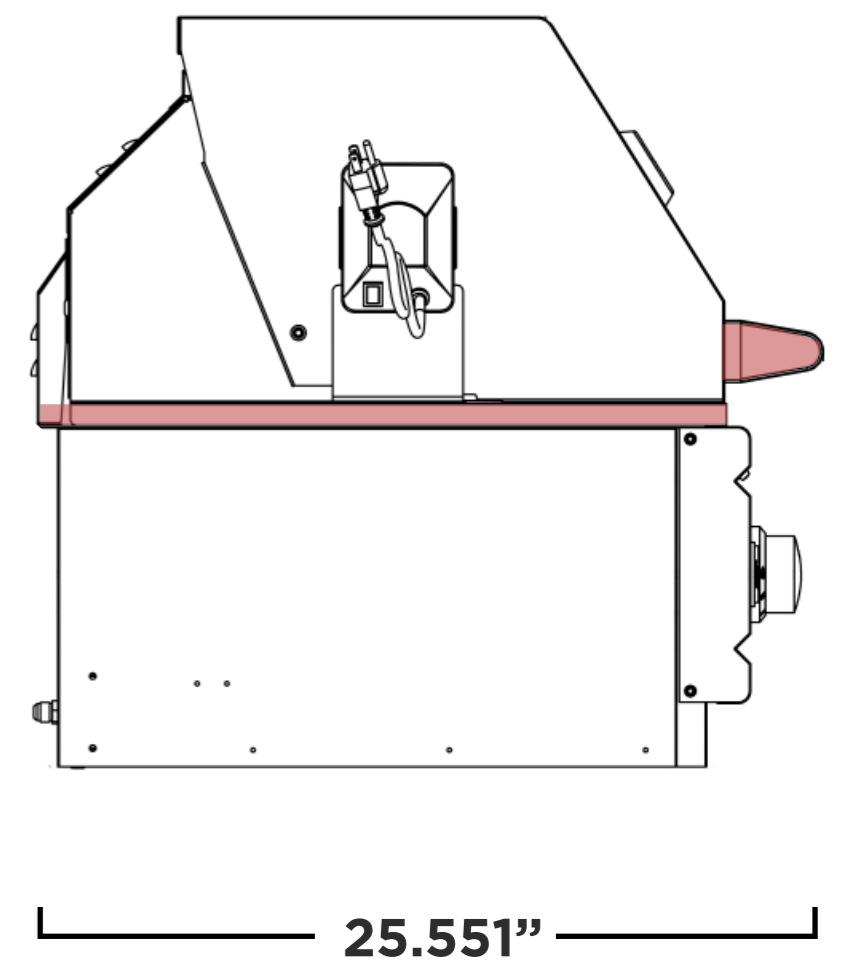
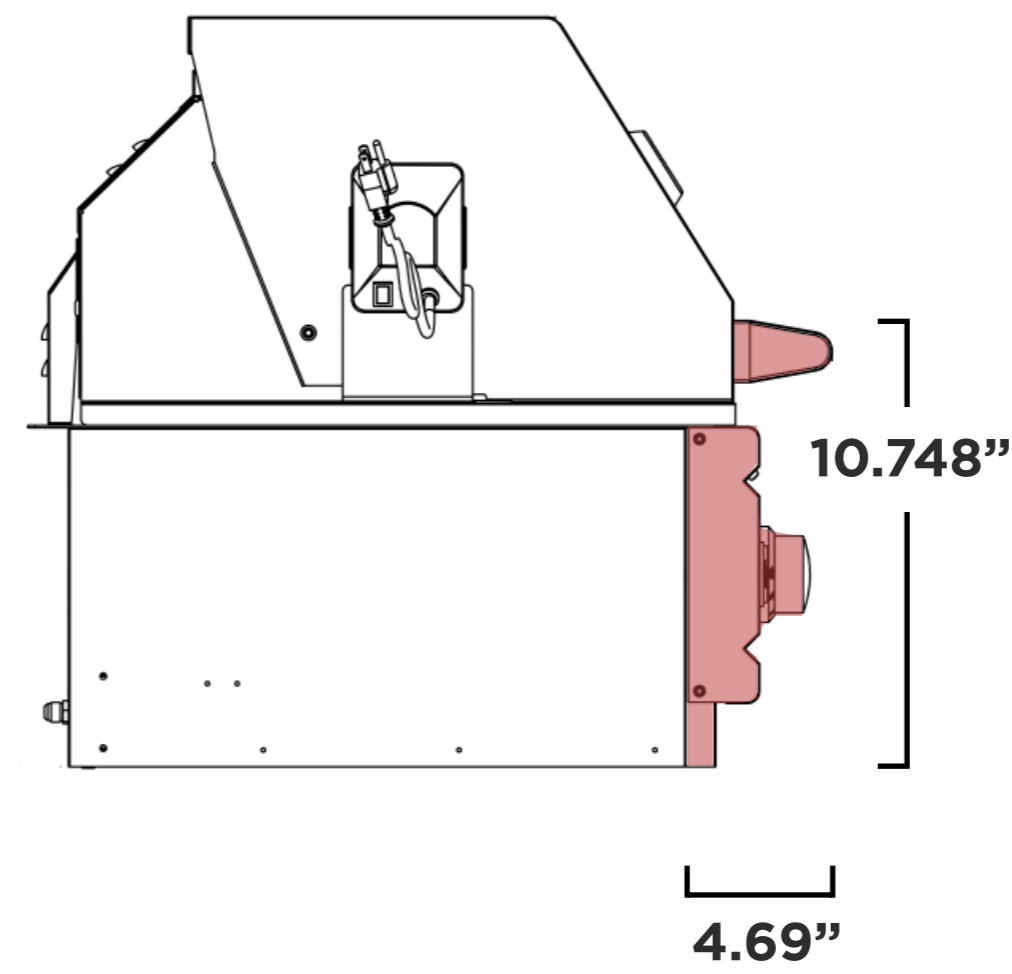
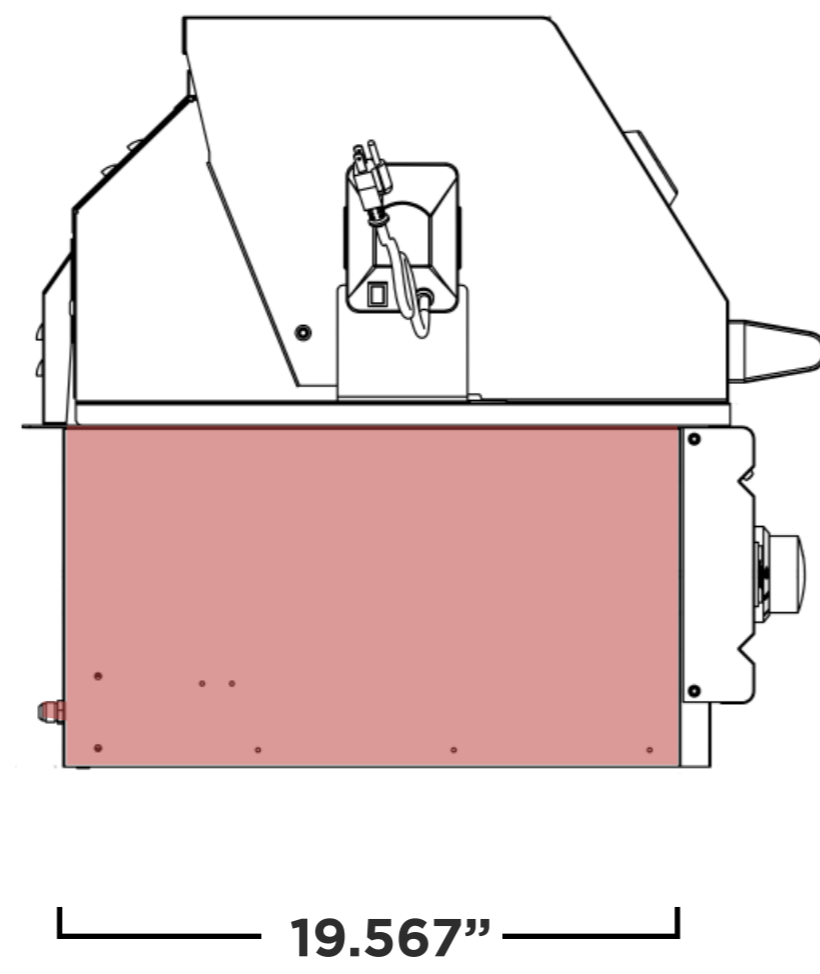
**Front**



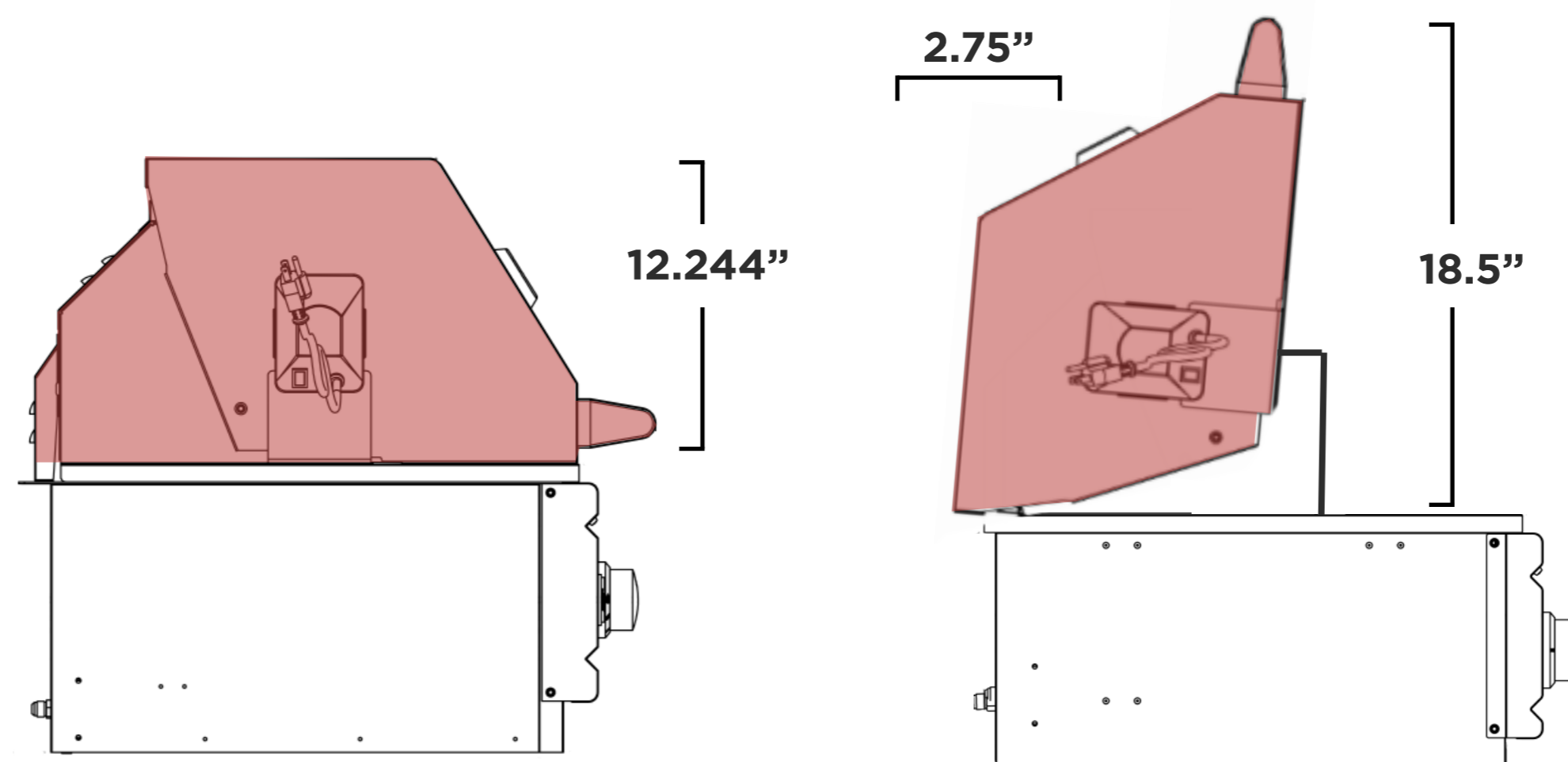
**Rear**



**Side**

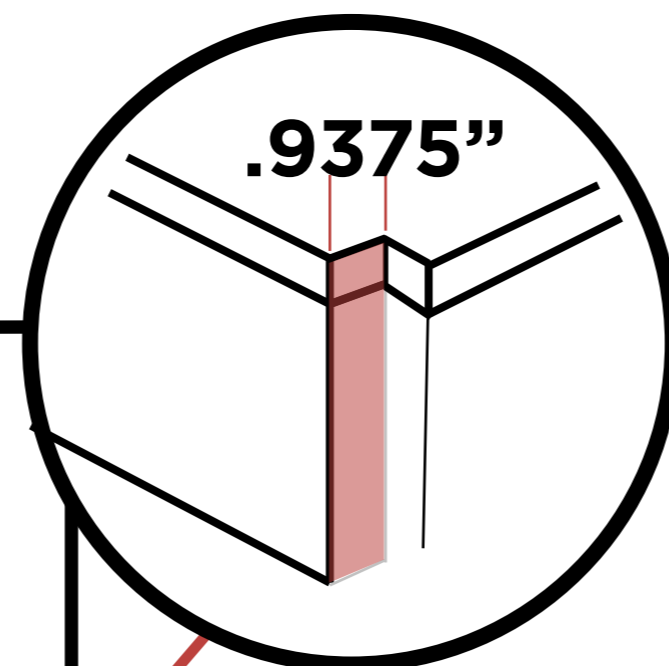
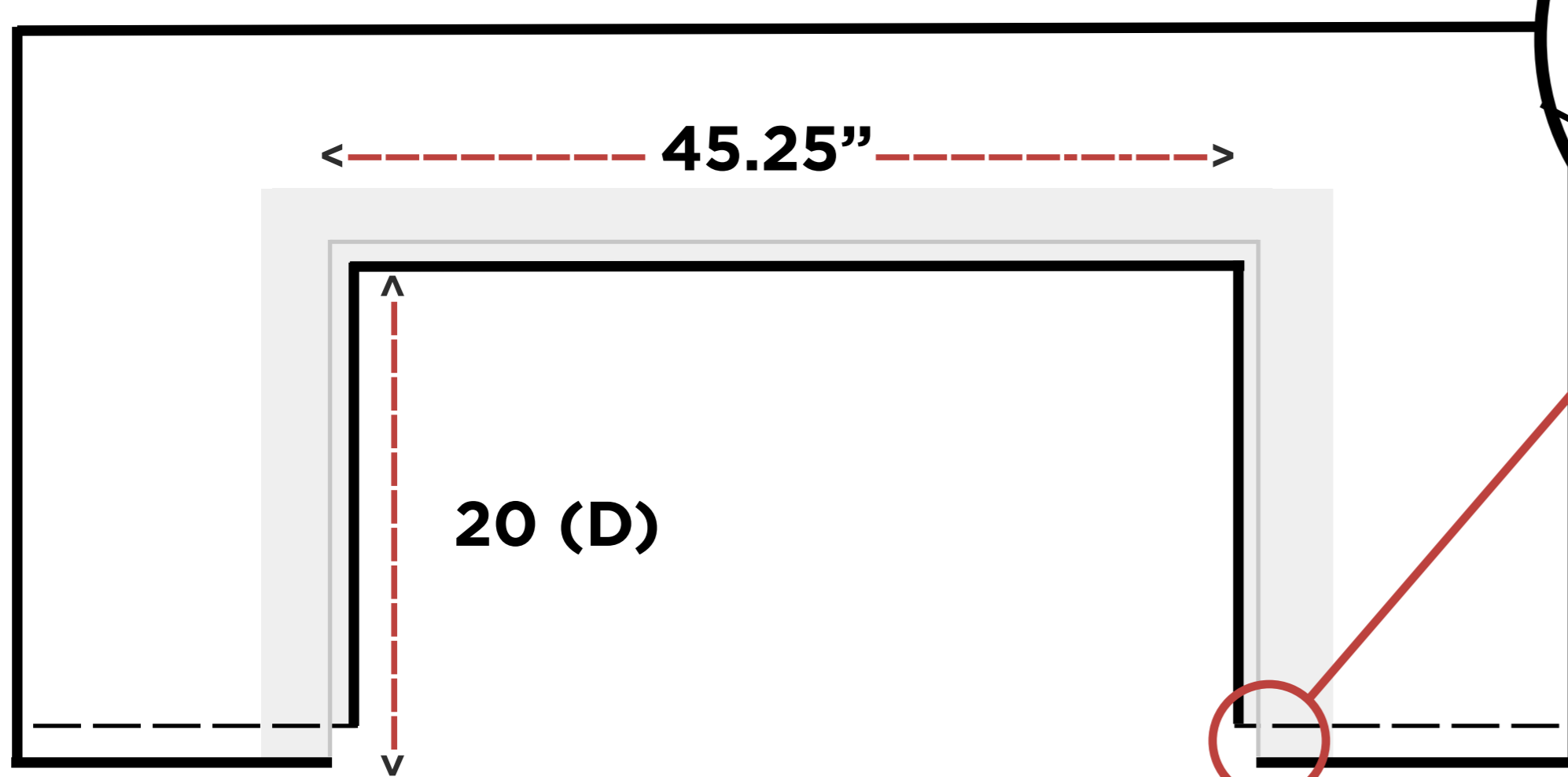


### NOTES



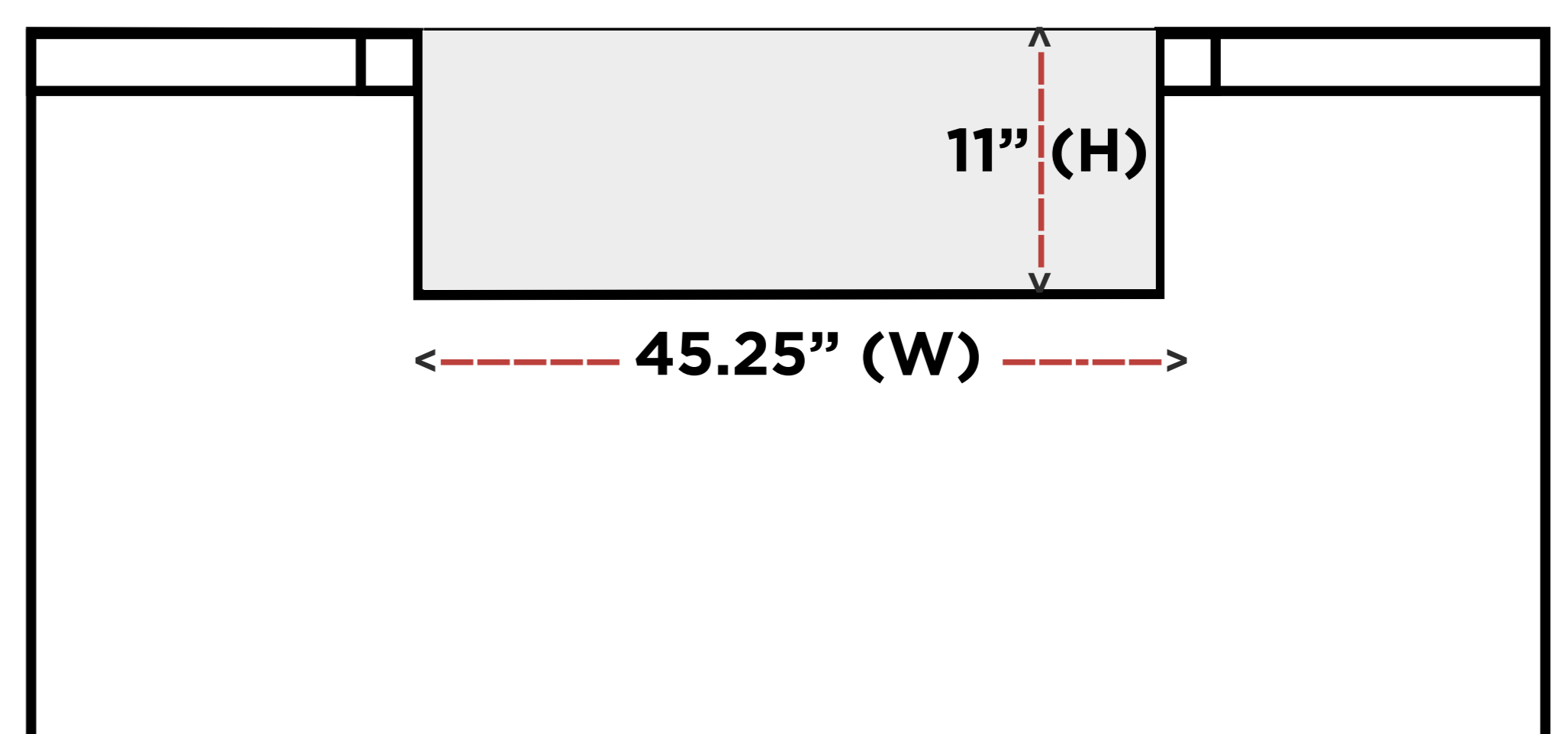
Cutout Dimensions \*\*  
45.25"W x 11"H x 20"D

**Island Top View**



Countertop Notch  
Cutout Dimension

**Island Front View**



Manufacturer Suggested Cutout Dimensions (\*\*)