

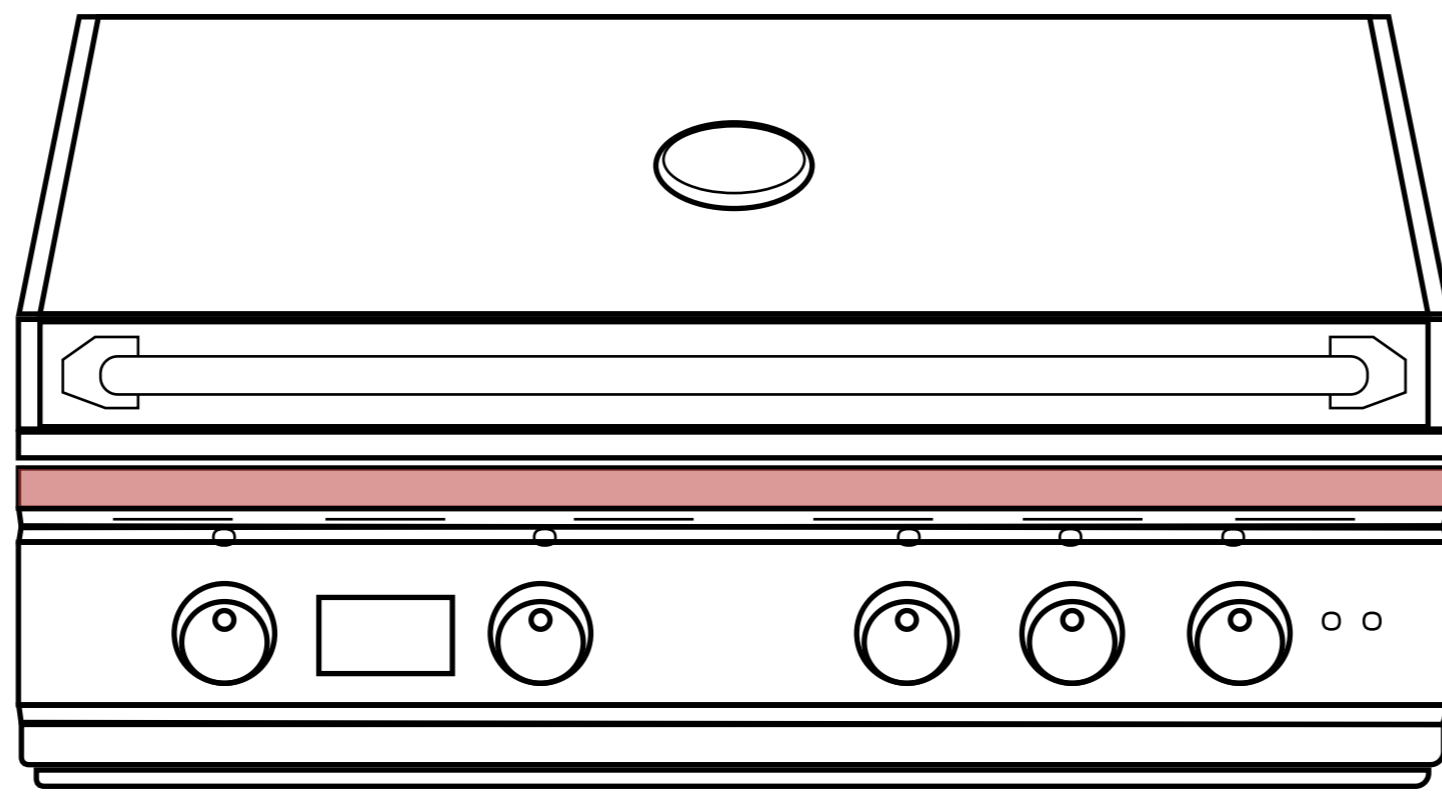


**SUMMERSET**  
PROFESSIONAL GRILLS

**38" - TRL**

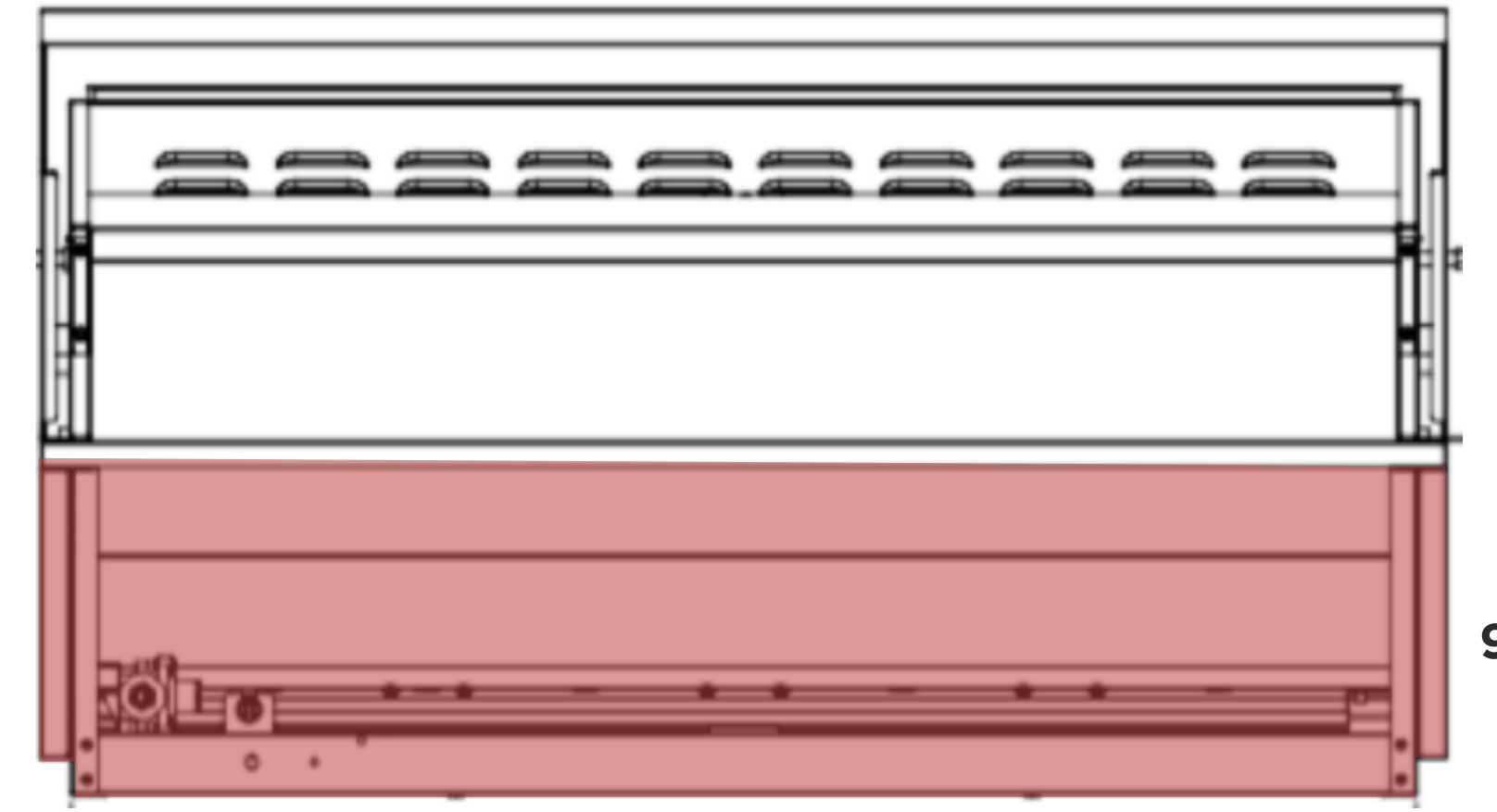
<b>Model</b>	TRL38
<b>Cutout Dimensions**</b>	38.5"W x 10"H x 20.75"D
<b>Actual Dimensions</b>	39.882"W x 22.244"H x 24.685"D
<b>Material</b>	#304 Stainless Steel
<b>Burner Count</b>	4 Main Burner
<b>Total BTU</b>	87,000 BTU
<b>Total Cooking Surface</b>	1,156 sq. in.
<b>Electical Supply</b>	120 VAC, 60 HZ - Input 12 VAC, 5000 mA, 60W - Output
<b>Gas Inlet NG</b>	3/8" NPT Female Regulator
<b>Gas Inlet LP</b>	3/8" NPT Male Fitting
<b>Power Cord Length</b>	13 ft. : 77" Power Cord + 80" Trans Wire

**Front**



39.882"

**Rear**

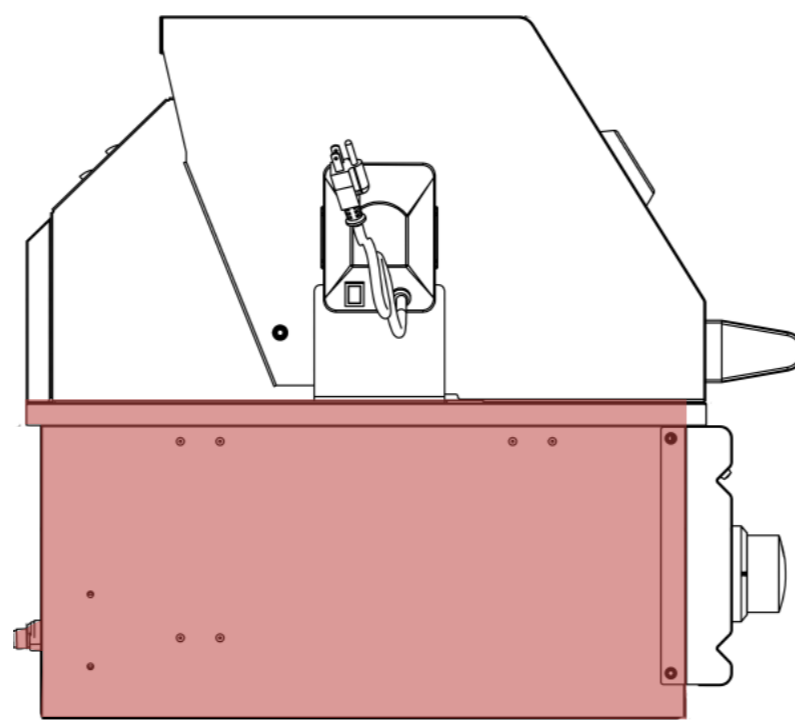


22.2441

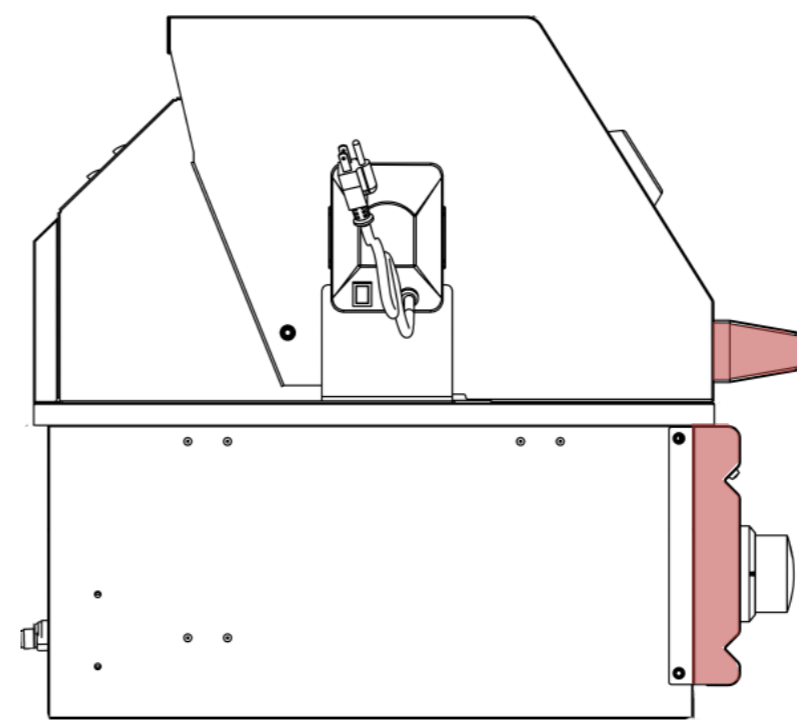
9.25"

38.1496"

**Side**

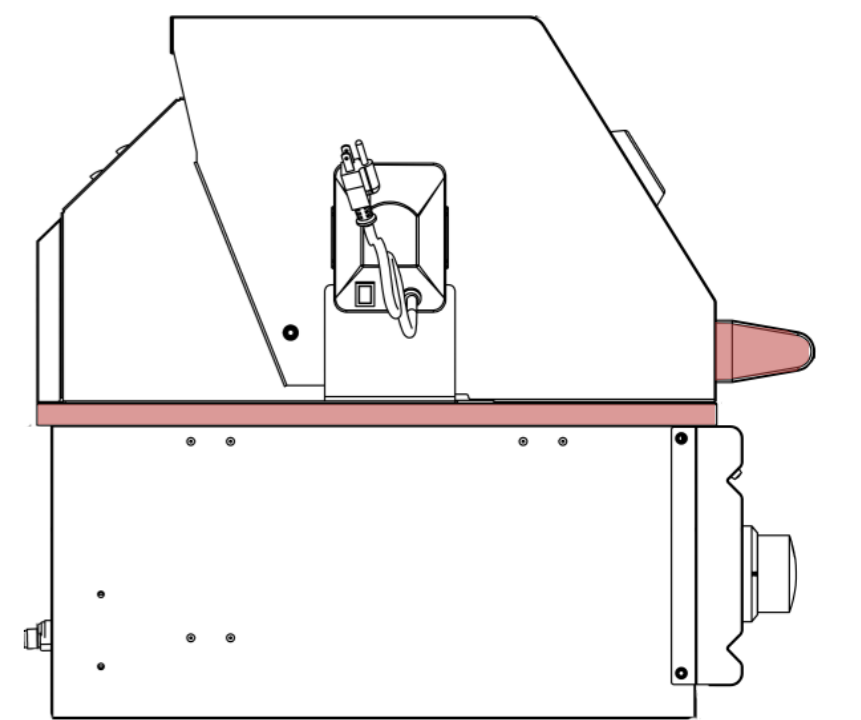


20.452"

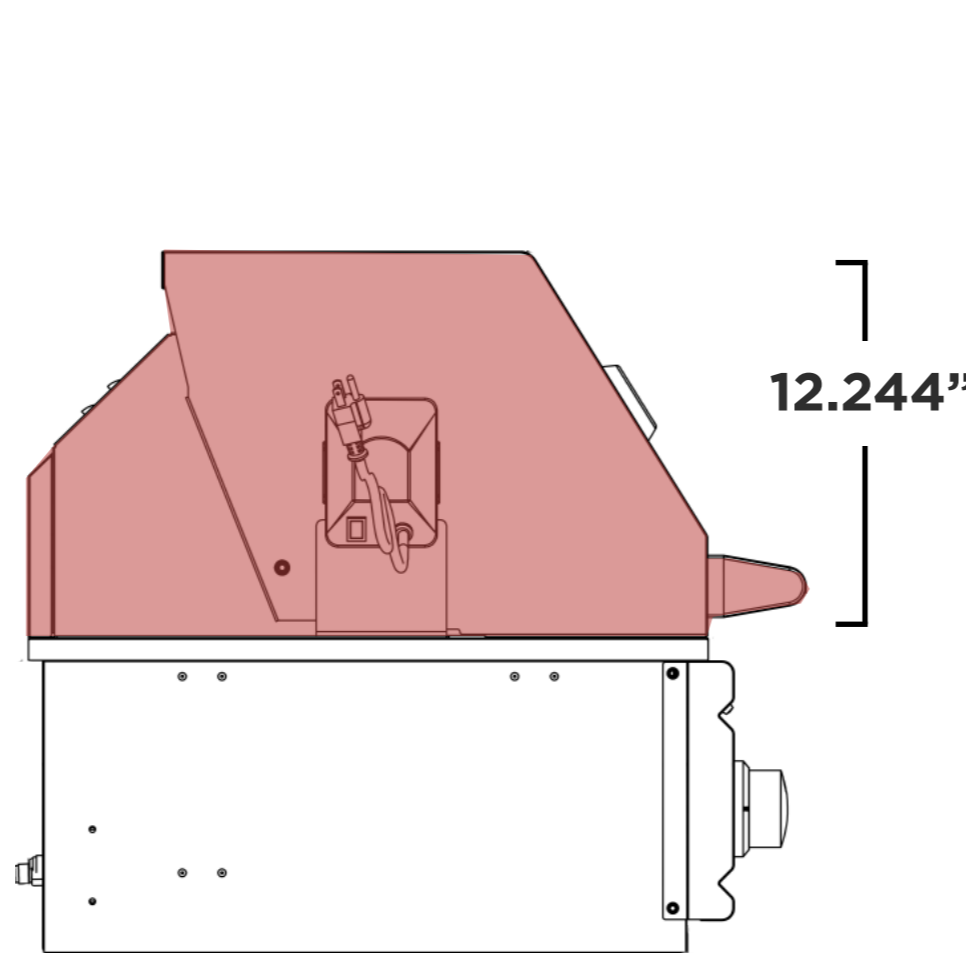


9.291"

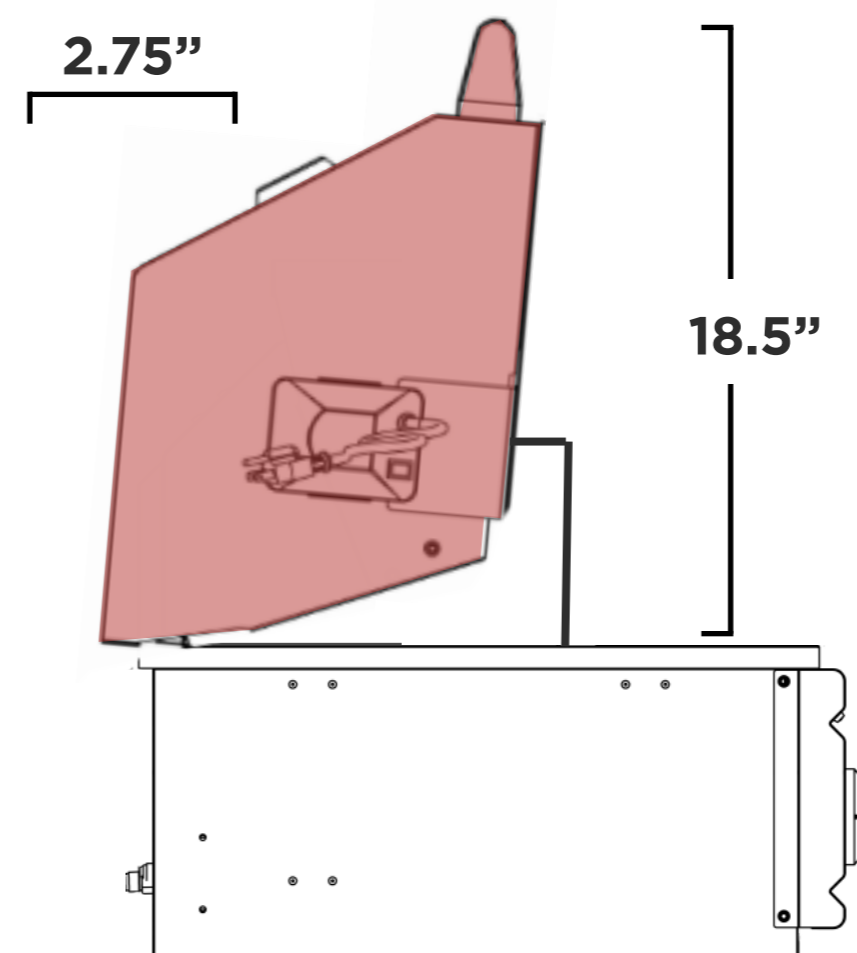
3.78"



24.685"



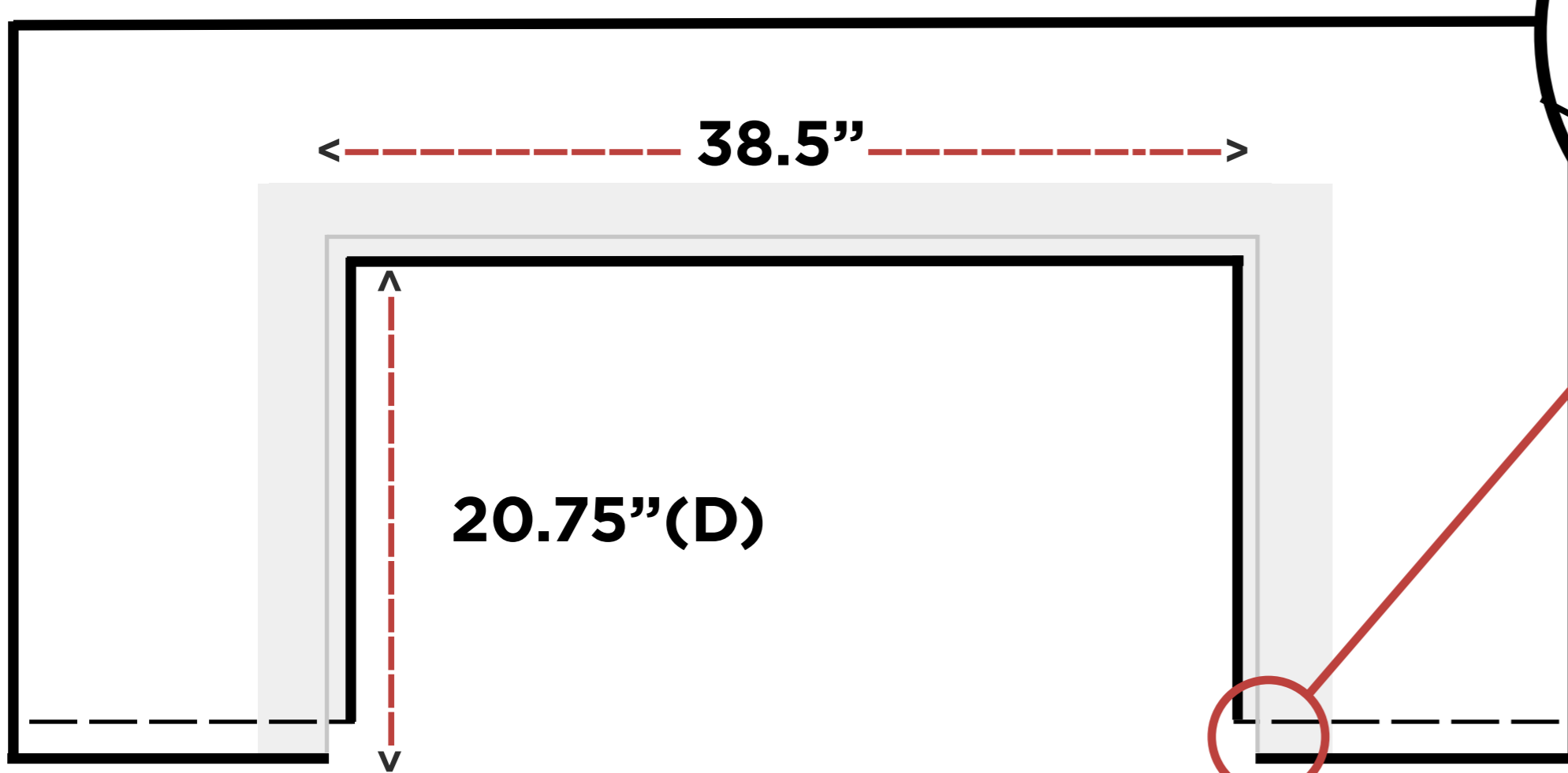
12.244"



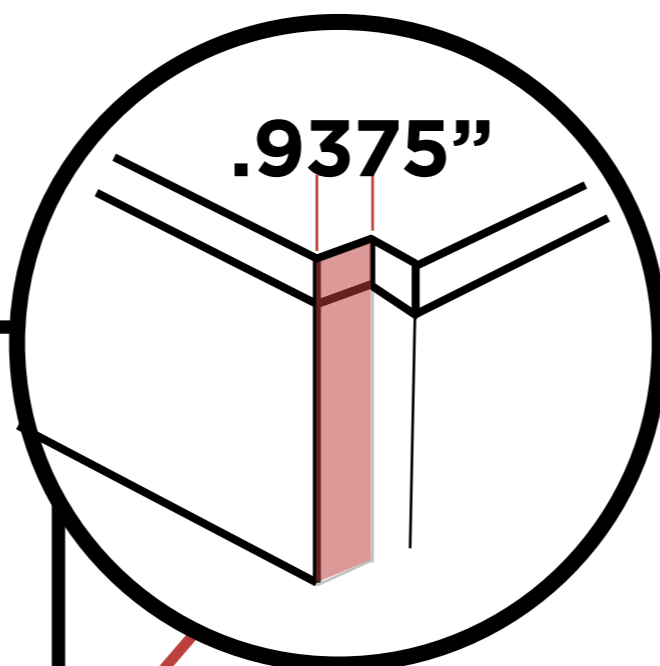
18.5"

2.75"

**Island Top View**

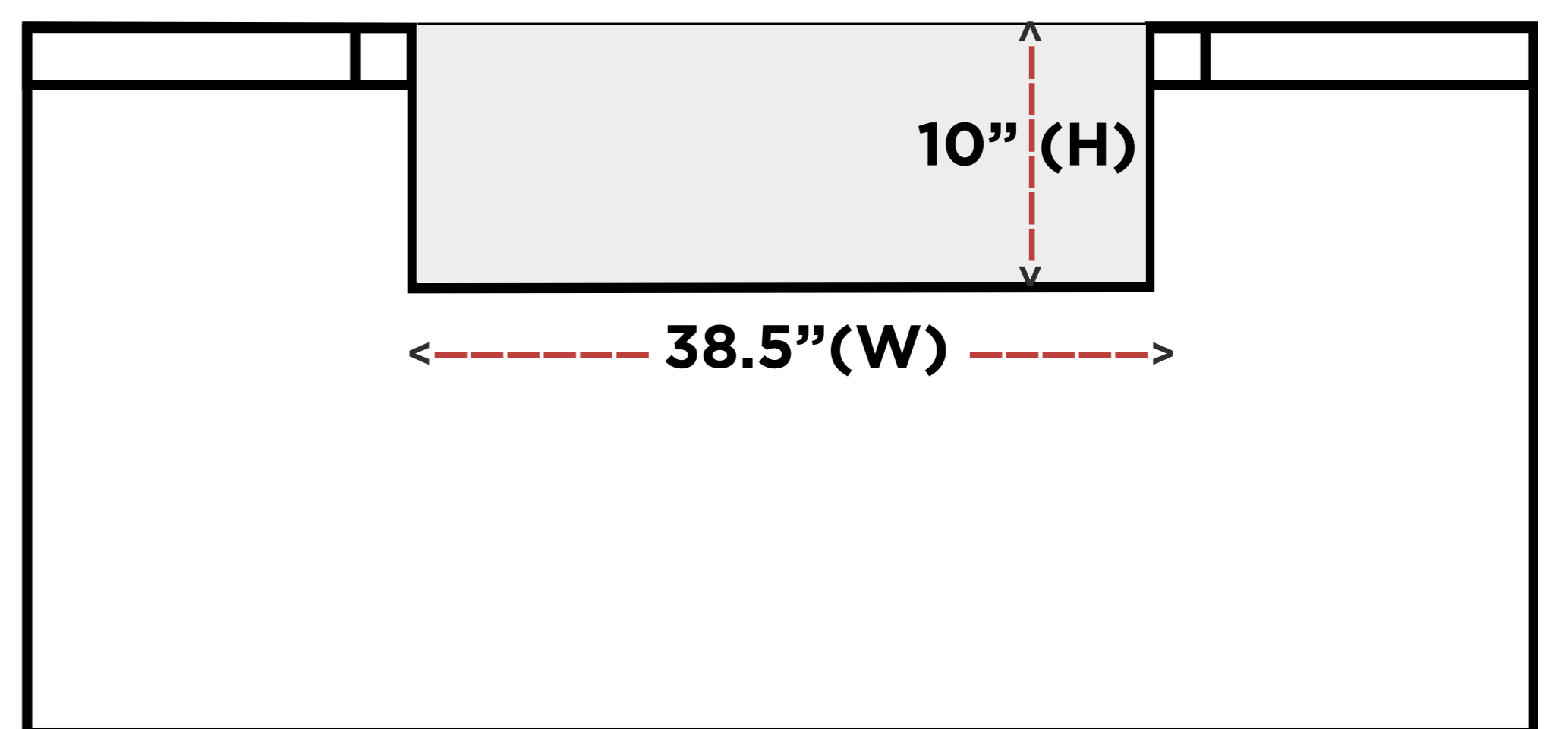


20.75"(D)



Countertop Notch  
Cutout Dimension

**Island Front View**



10" (H)

38.5" (W)

**Cutout Dimensions \*\***  
38.5"W x 10"H x 20.75"D

**Manufacturer Suggested Cutout Dimensions (\*\*)**