



OWNER'S MANUAL

Acies / Vector / Luxuria Series



Luxuria model illustrated.

For indoor use only

SAFETY INFORMATION

⚠ WARNING

FIRE OR EXPLOSION HAZARD

Failure to follow safety warnings exactly could result in serious injury, death, or property damage.

- Do not store or use gasoline or other flammable vapors and liquids in the vicinity of this or any other appliance.

- WHAT TO DO IF YOU SMELL GAS:

- Do not try to light any appliance.
- Do not touch any electrical switch; do not use any phone in your building.
- Immediately call your gas supplier from a neighbour's phone. Follow the gas supplier's instructions.
- If you cannot reach your gas supplier, call the fire department.
-

- Installation and service must be performed by a qualified installer, service agency, or the supplier.



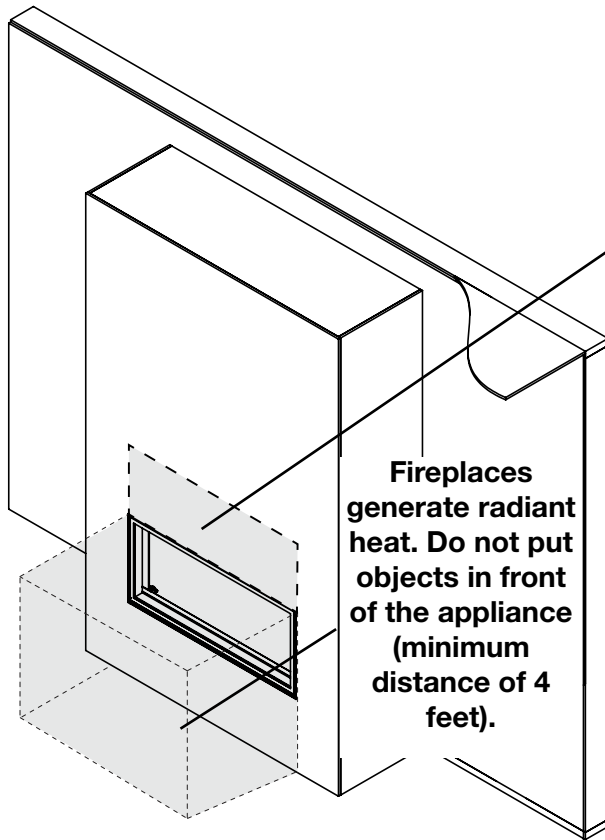
APPLY SERIAL NUMBER LABEL FROM CARTON

Serial No. XXXXXX000000

MODEL NO.

WARNING

- This appliance is hot when operated and can cause severe burns if contacted.
- Any changes to this appliance or its control can be dangerous and are prohibited.
- Do not operate appliance before reading and understanding operating instructions. Failure to operate appliance according to operating instructions could cause fire or injury.
- Risk of fire or asphyxiation do not operate appliance with fixed glass removed.
- Do not connect 110 volts to the control valve.
- Risk of burns. The appliance should be turned off and cooled before servicing.
- Do not install damaged, incomplete or substitute components.
- Risk of cuts and abrasions. Wear protective gloves and safety glasses during installation. Sheet metal edges may be sharp.
- Children and adults should be alerted to the hazards of high surface temperature and should stay away to avoid burns or clothing ignition.
- Young children should be carefully supervised when they are in the same room as the appliance. Toddlers, young children, and others may be susceptible to accidental contact burns. A physical barrier is recommended if there are at risk individuals in the house. To restrict access to an appliance or stove, install an adjustable safety gate to keep toddlers, young children and other at risk individuals out of the room and away from hot surfaces.
- Clothing or other flammable material should not be placed on or near the appliance.
- Due to high temperatures, the appliance should be located out of traffic and away from furniture and draperies.
- Ensure you have incorporated adequate safety measure to protect infants/toddlers from touching hot surfaces.
- Even after the appliance is out, the glass and/or screen will remain hot for an extended period of time.
- Check with your local hearth specialty dealer for safety screens and hearth guards to protect children from hot surfaces. These screens and guards must be fastened to the floor.
- Any safety screen, guard or barrier removed for servicing the appliance, must be replaced prior to operating the appliance.
- The appliance is a vented gas-fired appliance. Do not burn wood or other materials in the appliance.
- The appliance area must be kept clear and free from combustible materials, gasoline and other flammable vapors and liquids.
- Under no circumstances should this appliance be modified.
- This appliance must not be connected to a chimney flue pipe serving a separate solid fuel burning appliance.
- Do not use this appliance if any part has been under water. Immediately call a qualified service technician to inspect the appliance and to replace any part of the control system and any gas control which has been under water.
- Do not operate the appliance with the glass door removed, cracked or broken. Replacement of the glass should be done by a licensed or qualified service person.
- Do not strike or slam shut the appliance glass door.
- When equipped with pressure relief doors, they must be kept closed while the appliance is operating to prevent exhaust fumes containing carbon monoxide, from entering into the home. Temperatures of the exhaust escaping through these openings can also cause the surrounding combustible materials to overheat and catch fire.
- Only doors / optional fronts certified with the unit are to be installed on the appliance.
- Keep the packaging material out of reach of children and dispose of the material in a safe manner. As with all plastic bags, these are not toys and should be kept away from children and infants.
- As with any combustion appliance, we recommend having your appliance regularly inspected and serviced as well as having a carbon monoxide detector installed in the same area to defend you and your family against carbon monoxide.
- Ensure clearances to combustibles are maintained when building a mantel or shelves above the appliance. Elevated temperatures on the wall or in the air above the appliance can cause melting, discoloration or damage to decorations, a T.V. or other electronic components.
- A barrier designed to reduce the risk of burns from the hot viewing glass is provided with this appliance and shall be installed.
- If the barrier becomes damaged, the barrier shall be replaced with the manufacturer's barrier for this appliance.
- Installation and repair should be done by a qualified service person. The appliance should be inspected before use and at least annually by a professional service person. More frequent cleaning may be required due to excessive lint from carpeting, bedding material, etc. It is imperative that control compartments, burners and circulating air passageways of the appliance be kept clean.



! WARNING

The area above a fireplace gets hot, (unless the appliance is fitted with Napoleon's Dynamic Heat Control™ system). Combustible objects or materials must never be placed in this area. For minimum distance, refer to installation manual or your authorized dealer.

! DANGER

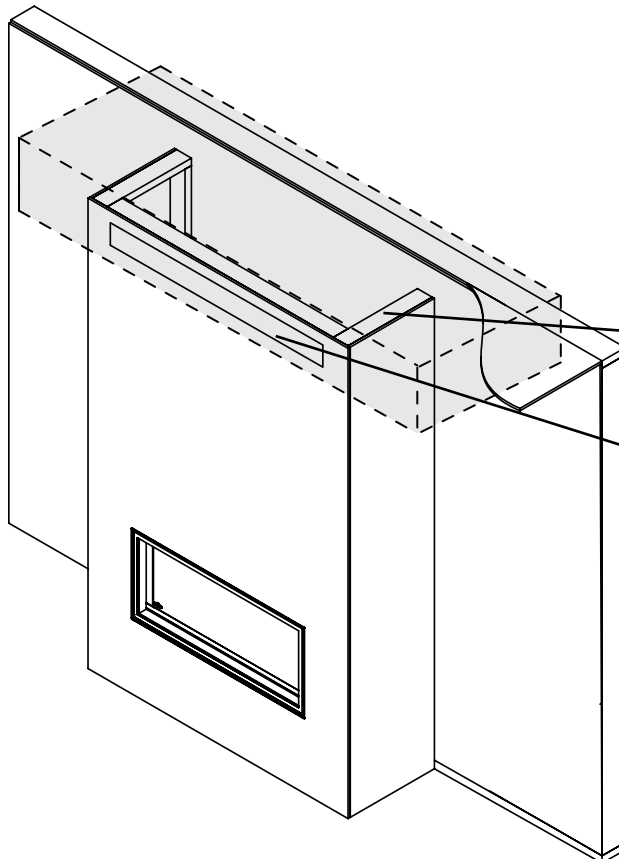


HOT GLASS WILL CAUSE BURNS.

DO NOT TOUCH GLASS UNTIL COOLED.

NEVER ALLOW CHILDREN TO TOUCH GLASS.

A barrier designed to reduce the risk of burns from the hot viewing glass is provided with this appliance and shall be installed for the protection of children and other at-risk individuals.



! WARNING

If fitted with Dynamic Heat Control™ (DHC), DO NOT COVER OR PLACE ITEMS AT AIR OUTLET OPENINGS!*

FIRE HAZARD!

The air that comes out of the DHC air outlet is very hot. NEVER PLACE OR ALLOW ITEMS TO FALL INSIDE THE DHC OUTLET AIR OPENING.

*The DHC air outlet is shown at the front of the fireplace enclosure (see illustration), however it may be located at ceiling height, it may be in the room behind or in both rooms.

note:

Dynamic Heat Control™ is optional on the Vector series (LV models) and included on the Luxuria series (LVX models). Dynamic Heat Control™ is not available for L models. [PATENT PENDING]

welcome

congratulations

Napoleon is proudly committed to your total home comfort. We are proud to say that our products continuously surpass industry standards and our inspiration is you! More than anything, we want you to feel confident in choosing Napoleon for your home. Our products are designed to provide that confidence and ensure that every Napoleon product is beyond compare.

Napoleon products are designed with superior components and materials assembled by trained craftsmen who take great pride in their work.

A barrier designed to reduce the risk of burns from the hot viewing glass is provided with the appliance for your safety. **This barrier must be installed.**

Your Napoleon fireplace has been thoroughly inspected by a qualified technician before packaging to ensure that you, the customer, receives the quality product that you expect from Napoleon.

Dealer : Fill in your dealer information (or business card) and the appliance installation information below.

Dealer Information

Name of Dealer: _____

Dealer Location: _____

Dealer Phone: _____

Dealer E-mail: _____

Customer: _____

Customer Address: _____

Date of Installation: _____

Location of the appliance: _____

Installer: _____

Dealer: Business card location

Serial Number: _____

Model:

Natural Gas:

Propane:

Acies	<input type="checkbox"/> L38N	<input type="checkbox"/> L38N2	<input type="checkbox"/> L38P	<input type="checkbox"/> L38P2
	<input type="checkbox"/> L50N	<input type="checkbox"/> L50N2	<input type="checkbox"/> L50P	<input type="checkbox"/> L50P2
Vector	<input type="checkbox"/> LV38N-1	<input type="checkbox"/> LV38N2-1	<input type="checkbox"/> LV38P-1	<input type="checkbox"/> LV38P2-1
	<input type="checkbox"/> LV50N-2	<input type="checkbox"/> LV50N2-2	<input type="checkbox"/> LV50P-2	<input type="checkbox"/> LV50P2-2
	<input type="checkbox"/> LV62N	<input type="checkbox"/> LV62N2	<input type="checkbox"/> LV62P	<input type="checkbox"/> LV62P2
	<input type="checkbox"/> LV74N	<input type="checkbox"/> LV74N2	<input type="checkbox"/> LV74P	<input type="checkbox"/> LV74P2
Luxuria	<input type="checkbox"/> LVX38N	<input type="checkbox"/> LVX38N2	<input type="checkbox"/> LVX38P	<input type="checkbox"/> LVX38P2
	<input type="checkbox"/> LVX50N	<input type="checkbox"/> LVX50N2	<input type="checkbox"/> LVX50P	<input type="checkbox"/> LVX50P2
	<input type="checkbox"/> LVX62N	<input type="checkbox"/> LVX62N2	<input type="checkbox"/> LVX62P	<input type="checkbox"/> LVX62P2
	<input type="checkbox"/> LVX74N	<input type="checkbox"/> LVX74N2		
Vector or Luxuria	<input type="checkbox"/> Dynamic Heat Control installed (Optional for LV / included for LVX)*			

*Dynamic Heat Control™ not available for L models.

congratulations	4
1.0 getting to know your appliance	6
1.1 control access	7
1.2 rating plate / lighting instructions location	8
2.0 operating your appliance	9
2.1 using your appliance (L models only)	9
2.2 using your appliance (LV / LVX models only)	9
2.3 on/off components	9
2.3.1 changing the batteries in the battery holder (L models only)	10
2.3.2 turndown (L models only)	10
2.3.3 changing the batteries in the remote / battery holder (including switch)	11
3.0 remote control layout	12
4.0 remote control operation (optional for L models)	13
4.1 remote control operation	13
4.2 temperature display	13
4.3 flame height time	13
4.4 child proof function	13
4.5 LEDs	13
4.6 night light dimmer control	13
4.7 continuous pilot / intermittent pilot (CPI / IPI) selection	14
4.8 low battery / manual bypass	14
4.9 in the event of a power failure	14
4.10 eFIRE Controller application (optional for L models)	14
4.11 LED on/off light control (LV / LVX only)	15
5.0 clearances around fireplace	16
5.1 Dynamic Heat Control™ (LV optional / LVX included)	17
6.0 maintenance	18
6.1 care of glass	19
6.2 care of plated parts	20
6.3 glass guard assembly (GGA) removal / installation (LVX models only)	21
6.3.1 removing your GGA (LVX only)	21
6.3.2 installing your GGA (LVX models only)	23
6.4 safety barrier removal (L / LV models only)	25
6.5 door trim removal	25
6.6 firebox glass door removal	26
6.7 anti-condensation switch	26
7.0 replacements	27
8.0 accessories	28
9.0 troubleshooting	30
9.1 frequently asked questions	31
10.0 warranty	32
11.0 service history	33



The camera icon indicates video tutorials are available as additional reference, visit <http://mynapoleon.napoleonproducts.com/download/index/44/1>

1.0 getting to know your appliance

This owner's manual is written for a complete series of linear fireplaces that have a range of different features and specifications. Before reading this manual, be sure you know which model of fireplace that you have. This information will have been filled out by the installer on the proceeding page and on the rating plate that is permanently attached to the fireplace (see "appliance overview" section).

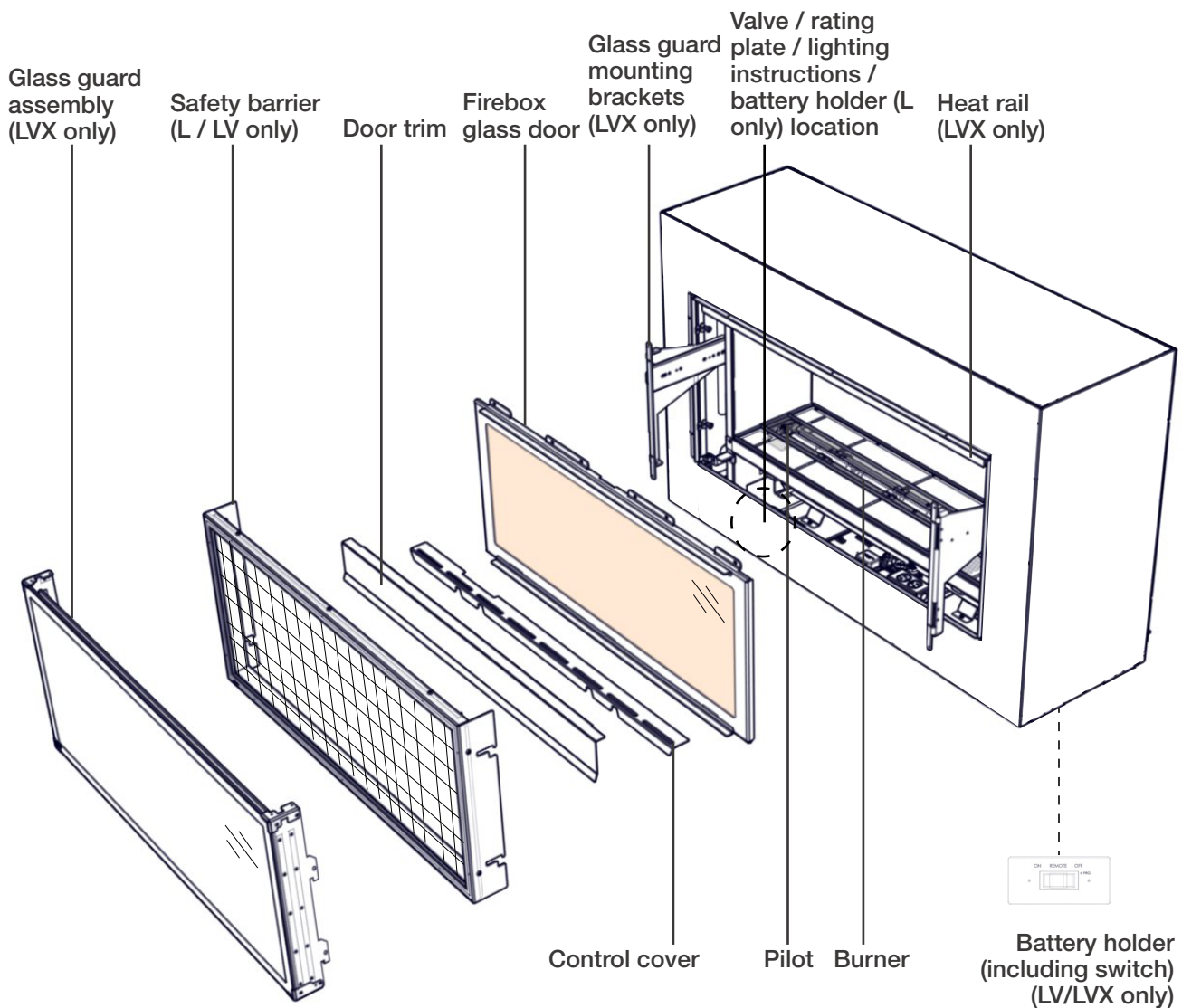
This manual is for the:

- **Acies Series** (model number prefix "L")
- **Vector Series** (model number prefix "LV")
- **Luxuria Series** (model number prefix "LVX")

If required, more detailed technical information is included in the fireplace installation manual.

The information throughout this manual is believed to be correct at the time of printing. Wolf Steel Ltd. reserves the right to change or modify any information within this manual at any time without notice. Changes, other than editorial are denoted by a vertical line in the margin.

Visit the Napoleon website for the most current version of your appliance's manual.

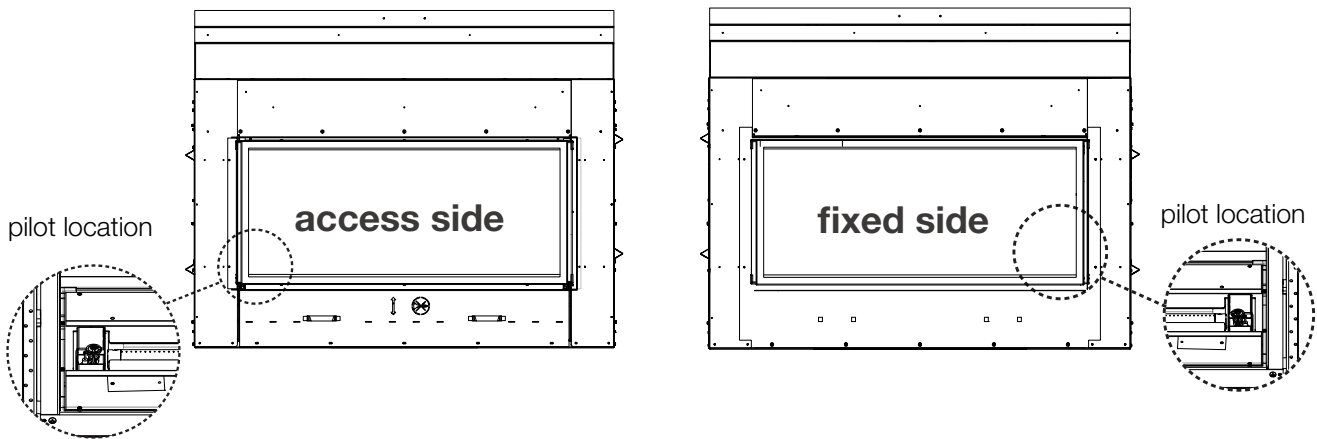


Some features and components illustrated may vary depending on your model.

Single-sided model illustrated.

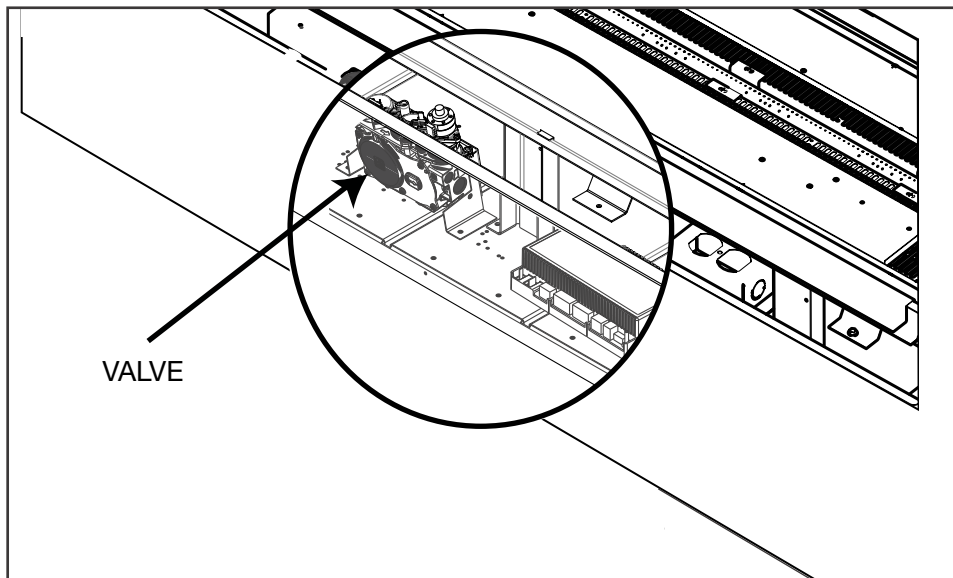
The term “access side” is used in this manual and refers to the open side of the fireplace where the firebox glass door is located.

In the case of see-thru appliances, there are firebox glass doors on both sides of the appliance. One of these doors is fixed and cannot be removed. The access side can be identified with the pilot location.



1.1 control access

Access to the control can be done by removing the safety barrier (**L / LV models**) or glass guard (**LVX models**), glass door, door trim and control cover (see “maintenance” section for instructions on how to remove these components).



getting to know your appliance

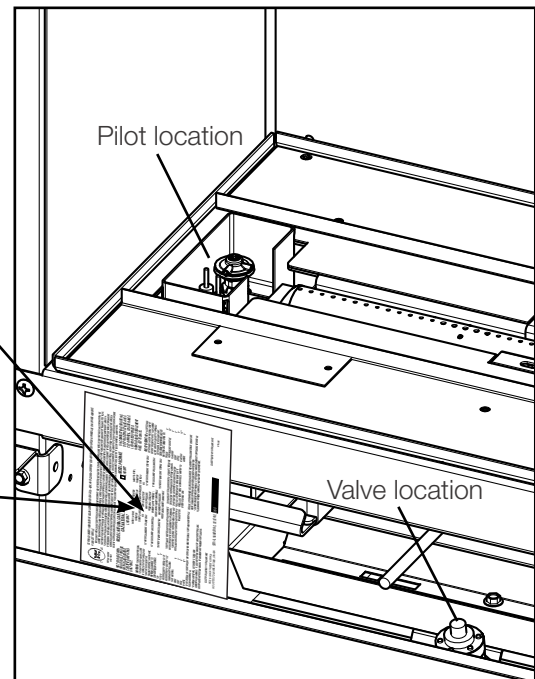
1.2 rating plate / lighting instructions location

Both the rating plate and lighting instructions are attached to a chain located on the left side of the control area near the valve (access side). Remove the safety barrier or glass guard and the control cover to gain access to the control area, see “control access” section.

To replace, slide the instructions back into the control area and slide the glass front into its locked position.

<p>KEEP BURNER AND CONTROL COMPARTMENT CLEAN. SEE INSTALLATION AND OPERATING INSTRUCTIONS MANUAL. APPLIANCE NEEDS FRESH AIR FOR SAFE OPERATION AND MUST BE INSTALLED WITH ADEQUATE PROVISIONS FOR COMBUSTION AND VENTILATION AIR.</p>	<p>WARNING: IMPROPER INSTALLATION, ADJUSTMENT, ALTERATION, SERVICE OR MAINTENANCE CAN CAUSE PROPERTY DAMAGE, PERSONAL INJURY OR LOSS OF LIFE. REFER TO OWNER'S MANUAL, INSTALLATION AND SERVICE MUST BE PERFORMED BY A QUALIFIED INSTALLER, SERVICE AGENT OR THE GAS SUPPLIER.</p> <p>ATTENTION: UN INSTALLATION OU UNE MODIFICATION INAPPROPRIÉE QUI RÉGLAGE, DU SERVICE ET DE L'ENTRETIEN POURRAIENT ÊTRE LA CAUSE DE DOMMAGES À LA PROPRIÉTÉ DE BLESSURES CORPORELLES OU MÊME LA MORT. CONSULTER LE MANUEL D'INFORMATION, L'INSTALLATION ET LE SERVICE DOIVENT ÊTRE EXÉCUTÉS PAR UN INSTALLATEUR QUALIFIÉ POUR LE GAZ. UNE ENTREPRISE DE SERVICE OU LE FOURNISSEUR DE GAZ SEULEMENT.</p>	<p>CAUTION: HOT WHILE OPERATING. DO NOT TOUCH. KEEP CHILDREN, CLOTHING, FURNITURE, GASOLINE OR OTHER FLAMMABLE WORKS AWAY.</p> <p>AVERTISSEMENT: L'APPAREIL EST CHAUD PENDANT SON FONCTIONNEMENT. LES ENFANTS, LES VÊTEMENTS, LES MEUBLES, L'ESSENCE ET AUTRES LIQUIDES QUI ÉMETTENT DES GAZ VOLATILS INFLAMMABLES DOIVENT ÊTRE TENUS ÉLOIGNÉS DE L'APPAREIL.</p> <p>*This appliance is only for use with the type(s) of gas indicated on the rating plate and may be installed in an aftermarket, permanently located, manufactured home (if only for mobile home, where not prohibited by local codes. See owner's manual for details. This appliance is supplied with a conversion kit.</p> <p>*Cet appareil doit être utilisé uniquement avec les types de gaz indiqués sur la plaque signalétique et peut être installé dans une maison préfabriquée (E-U seulement) ou mobile installée à demeure si les règlements locaux le permettent. Voir la notice de l'utilisateur pour plus de renseignements. Une trousse de conversion est fournie avec cet appareil.</p>	<p>FOR YOUR SAFETY: DO NOT STORE OR USE GASOLINE OR OTHER FLAMMABLE VAPORS AND LIQUIDS IN VICINITY OF THIS OR ANY OTHER APPLIANCE.</p> <p>CAUTION: DO NOT OPERATE THE FIREPLACE WITH THE GLASS REMOVED, CRACKED OR BROKEN. REPLACEMENT OF THE GLASS SHOULD BE DONE BY A LICENSED OR QUALIFIED PERSON. POUR VOTRE SÉCURITÉ: NE PAS ENTREPOSER NI UTILISER D'ESSENCE NI D'AUTRES VAPEURS OU LIQUIDES INFLAMMABLES DANS LE VOISINAGE DE CET APPAREIL OU DE TOUT AUTRE APPAREIL.</p> <p>AVERTISSEMENT: NE PAS UTILISER L'APPAREIL SI LE PAINNEAU FRONTAL EN VERRE N'EST PAS EN PLACE, EST CRAQUÉ OU BRISÉ. CONFINÉZ LE REMPLACEMENT DU PAINNEAU À UN TECHNICIEN AGRÉÉ.</p>
--	---	---	---

<p>CERTIFIED TO CANADIAN AND AMERICAN NATIONAL STANDARDS CSA 2.23.2016 AND NFPA 721.50.2018 FOR VENTED DECORATIVE GAS FIREPLACES.</p> <p>CERTIFIÉ SELON LES NORMES NATIONALES CANADIENNES ET AMÉRICAINES.</p> <p>DIRECT VENT, VENTED GAS FIREPLACES APPROVED FOR BEDROOM, BATH, HALL AND BEDDING ROOM INSTALLATION. SUITES FOR MOBILE HOME INSTALLATION IF INSTALLED IN ACCORDANCE WITH THE CURRENT STANDARD CAN/CSA 229.41 SERIES GAS EQUIPPED MOBILE HOMES. IN CANADA OR IN THE UNITED STATES THE MANUFACTURER'S HOME VENTILATION AND SAFETY STANDARDS, TITLE 24 C.F.R. PART 3206. WHEN THIS US STANDARD IS NOT APPLICABLE USE THE STANDARDS FOR RESIDENTIAL CRITERIA FOR MANUFACTURED INSTALLATIONS, SITES AND COMMUNITIES ANSI / NFPA 501A. THIS APPLIANCE MUST BE INSTALLED IN ACCORDANCE WITH LOCAL CODES. IF ANY INQUIRY, FOLLOW THE CURRENT ANSI Z223.1 OR CSA B49. INSTALLATION CODES FOR USE WITH SAFETY BARRIER WEARERS. FOLLOW THE INSTALLATION INSTRUCTIONS LOCATED IN THE INSTALLATION MANUAL.</p> <p>MANUEL D'INSTALLATION: 13" (330 mm) COLONNE D'EAU (P) PRESSION AU COLLECTEUR: 13" (330 mm) COLONNE D'EAU (P) MIN. SUPPLY PRESSURE: 4.5" (115 mm) COLONNE D'EAU (P) PRESSION D'ALIMENTATION MIN.: 4.5" (115 mm) COLONNE D'EAU (P) MAX. APPLY PRESSURE: 11" (280 mm) COLONNE D'EAU (P) PRESSION D'ALIMENTATION MAX.: 11" (280 mm) COLONNE D'EAU (P)</p> <p>MANUEL D'INSTALLATION: 17" (430 mm) COLONNE D'EAU (P) PRESSION AU COLLECTEUR: 17" (430 mm) COLONNE D'EAU (P) MIN. SUPPLY PRESSURE: 4.5" (115 mm) COLONNE D'EAU (P) PRESSION D'ALIMENTATION MIN.: 4.5" (115 mm) COLONNE D'EAU (P) MAX. APPLY PRESSURE: 17" (430 mm) COLONNE D'EAU (P) PRESSION D'ALIMENTATION MAX.: 17" (430 mm) COLONNE D'EAU (P)</p> <p>NOT FOR USE WITH SOLID FUEL. FOR USE WITH GLASS DOORS CERTIFIED WITH THIS APPLIANCE ONLY.</p> <p>WARNING: THIS APPLIANCE IS NOT TO BE USED WITH SOLID FUEL. OTHER THAN APPROVED BY THE MANUFACTURER IN THE MANUAL.</p> <p>AVERTISSEMENT: NE PAS UTILISER AVEC DES MATÉRIELS COMBUSTIBLES AUTRES QUE CEUX APPROUVÉS PAR LE FABRICANT. AUTRES QUE LES PORTES EN VITRE HOMOLOGUÉES SEULEMENT AVEC CETTE APPLIANCE.</p>	<p>Intertek</p> <p>MODEL: CLVX38P LUX38P</p> <p>ALTIITUDE / ÉLEVATION: 0-4000 FT (0-1200m) 0-1200m (0-3900ft)</p> <p>INPUT / ALIMENTATION: 25,000 BTU/h 25,000 BTU/h</p> <p>REDUCED INPUT / ALIMENTATION RÉDUITE: 25,000 BTU/h 25,000 BTU/h</p> <p>4001687 (NG2) 4401689 (LX38A)</p> <p>MANUEL D'INSTALLATION: 13" (330 mm) COLONNE D'EAU (P) PRESSION AU COLLECTEUR: 13" (330 mm) COLONNE D'EAU (P) MIN. SUPPLY PRESSURE: 4.5" (115 mm) COLONNE D'EAU (P) PRESSION D'ALIMENTATION MIN.: 4.5" (115 mm) COLONNE D'EAU (P) MAX. APPLY PRESSURE: 11" (280 mm) COLONNE D'EAU (P) PRESSION D'ALIMENTATION MAX.: 11" (280 mm) COLONNE D'EAU (P)</p> <p>UN COMBUSTIBLE SOLIDE NE DOIT PAS ÊTRE UTILISÉ AVEC CET APPAREIL. UTILISER AVEC LES PORTES VITRÉES HOMOLOGUÉES SEULEMENT AVEC CETTE APPLIANCE.</p> <p>AVERTISSEMENT: VALUÉZ PAS À CET APPAREIL. AUCUN MATÉRIEL DEVANT ENTRER EN CONTACT AVEC LES ÉLÉMENTS DE CEU. CEU EST POSSIBLE AVEC CE APPAREIL. PAS LE FABRICANT.</p> <p>THE APPLIANCE MUST BE VENTED USING THE APPROPRIATE NAPoleon VENT KITS. SEE OWNER'S INSTALLATION MANUAL FOR VENTING SPECIFIC, PROPER INSTALLATION AND REPAIRING NECESSARY AFTER SERVICING THE VENT KITS.</p> <p>L'APPAREIL DOIT ÊTRE VENTÉ AVEC DES GAZ EN UTILISANT L'ÉQUIPEMENT D'ÉVACUATION APPROPRIÉ À NAPoleon. RÉFÉREZ AU MANUEL D'INSTALLATION DE PROPRIÉTAIRE POUR L'ÉVACUATION PRÉCISE. IL EST IMPORTANT DE BIEN REMPLACER ET RÉGULER L'ÉVÉNEMENT APRÈS AVOIR ASSURÉ LE BARRIÈRE DU SYSTÈME DE VENT KITS.</p> <p>ELECTRICAL RATING: 150V, 60HZ, LESS THAN 2 AMPERES SPÉCIFICATIONS ÉLECTRIQUES: 150V, 60HZ, MOINS DE 2 AMPERES</p> <p>DECORATIVE PRODUCT NOT FOR USE AS HEATING APPLIANCE PRODUIT DÉCORATIF: NE PAS UTILISER COMME APPAREIL DE CHAUFFAGE</p> <p>SERIAL NUMBER/NO. DE SÉRIE: LX38 W381-2145</p>
--	--



This illustration is for reference only. Refer to the rating plate on the appliance for accurate information.

note:

The rating plate must remain with the appliance at all times. It must not be removed.

When operating your appliance for the first time, there is a required burn-in process that cures materials used to manufacture the fireplace that may emit both vapors and an odor. These are normal when operating a new appliance for the first time. Ensure adequate air circulation is provided during burn-in process, if this was not completed by the installer during installation.

2.1 using your appliance (L models only)

To turn the appliance on:

- A Turn the on/off switch on.
- B After 3-5 seconds, the control will start a spark at the pilot, light the pilot and then the burner. The spark period will last 60 seconds, or until the pilot has lit.
- C When used for the first time, if the burn-in process was not completed by the installer; run appliance continuously for 4 hours (burn-in).
- D Turn the appliance off. Wait until appliance is completely cool before moving to the next step.
- E Remove the safety barrier and firebox glass door. Clean firebox glass door (see “maintenance” section). Replace firebox glass door and safety barrier.

For more detailed information, see your installation manual or contact your authorized dealer.

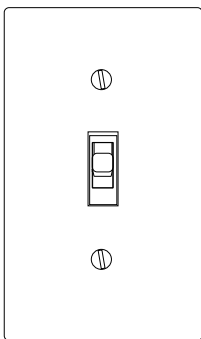
2.2 using your appliance (LV / LVX models only)

To turn the appliance on:

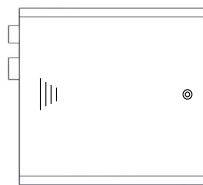
- A **For battery holder (including switch) operation:** Turn the appliance on/off by turning the battery holder (including switch) to the ‘on’ and/or ‘off’ position.
For remote control operation: Ensure the battery holder (including switch) is in the ‘remote’ position. Press and release the on/off button on the remote control. An audible beep should be heard from the remote.
- B After 3-5 seconds, the control will start a spark at the pilot, light the pilot and then the burner. The spark period will last 60 seconds, or until the pilot has lit.
- C When used for the first time, if the burn-in process was not completed by the installer; run appliance continuously for 4 hours.
- D Turn the appliance off. Wait until appliance is completely cool before moving to the next step.
- E Remove glass guard (LVX models) or safety barrier (LV models) and firebox glass door. Clean firebox glass door (see “maintenance” section). Replace firebox glass door and glass guard/safety barrier.

For more detailed information, see your installation manual or contact your authorized dealer.

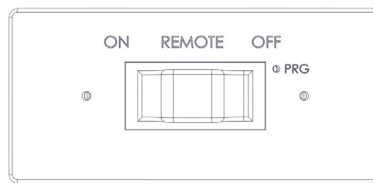
2.3 on/off components



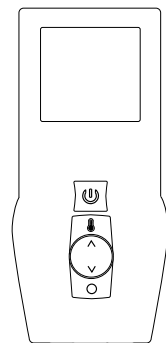
| On/off switch |
(Not supplied)



Battery holder
(L only)



| Battery holder (including switch) |
(Optional for L models)



Remote control |
(Optional for L models)

(Optional for LV / LVX models)



Batteries must be disposed of according to the local laws and regulations. Some batteries may be recycled, and may be accepted for disposal at your local recycling center. Check with your municipality for recycling instructions.

operating your appliance

2.3.1 changing the batteries in the battery holder (L models only)

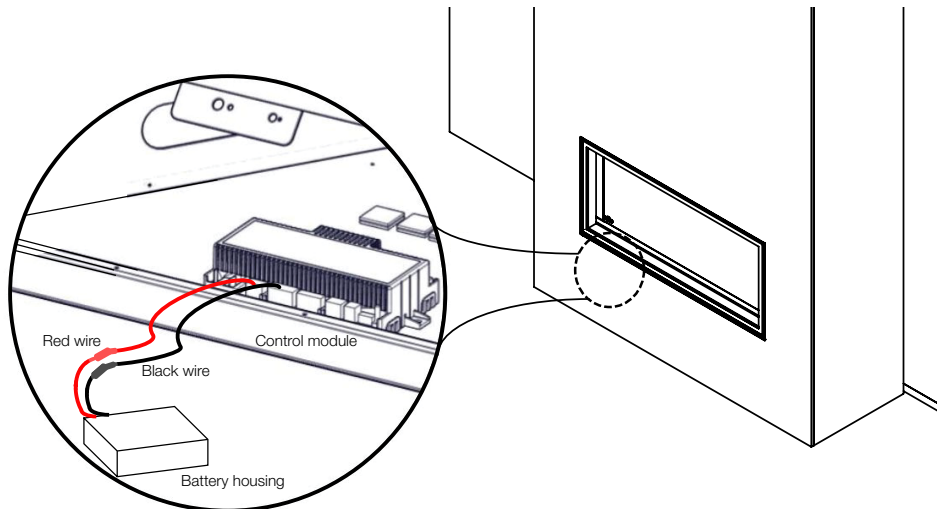
! WARNING

- Ensure the gas and electrical power to the appliance is turned off.
- Appliance may be hot, do not service until the appliance has cooled.

note:

In the event of a power failure, your appliance can be operated using the supplied battery back-up. If a power failure occurred, remove the batteries from the holder once the power has been restored. The system will drain the batteries if they are left in the battery holder.

- Turn off the gas and disconnect the electrical power supply from the appliance.
- Remove the safety barrier, control cover and door trim to easily access the control compartment (see “maintenance” section for instructions on how to remove these components).
- Locate the battery housing located near the control board (see illustration below).
- Open the battery housing by sliding the back piece upwards and off of the battery housing. Remove the four “AA” alkaline batteries and install four new “AA” alkaline batteries into the battery housing. Ensure the positive and negative ends correspond with those identified on the holder.
- Place the battery housing back into the control compartment, ensure that the battery housing is placed in a clean and easily accessible location.
- Reinstall the safety barrier. The safety barrier must be installed at all times during the appliance operation.
- Turn the gas and electrical power back on to begin operating the appliance.



2.3.2 turndown (L models only)

Manual adjustments to your fireplace must only be made when the appliance is off and complete cool. Allow safety barrier to cool before making adjustment.

The Acies Series is equipped with a manual gas control knob (located on the valve) that adjusts the flame height to suit your preference. To access the gas control knob, remove your safety barrier, control cover and door trim (see “maintenance” section for instructions on how to remove these components).

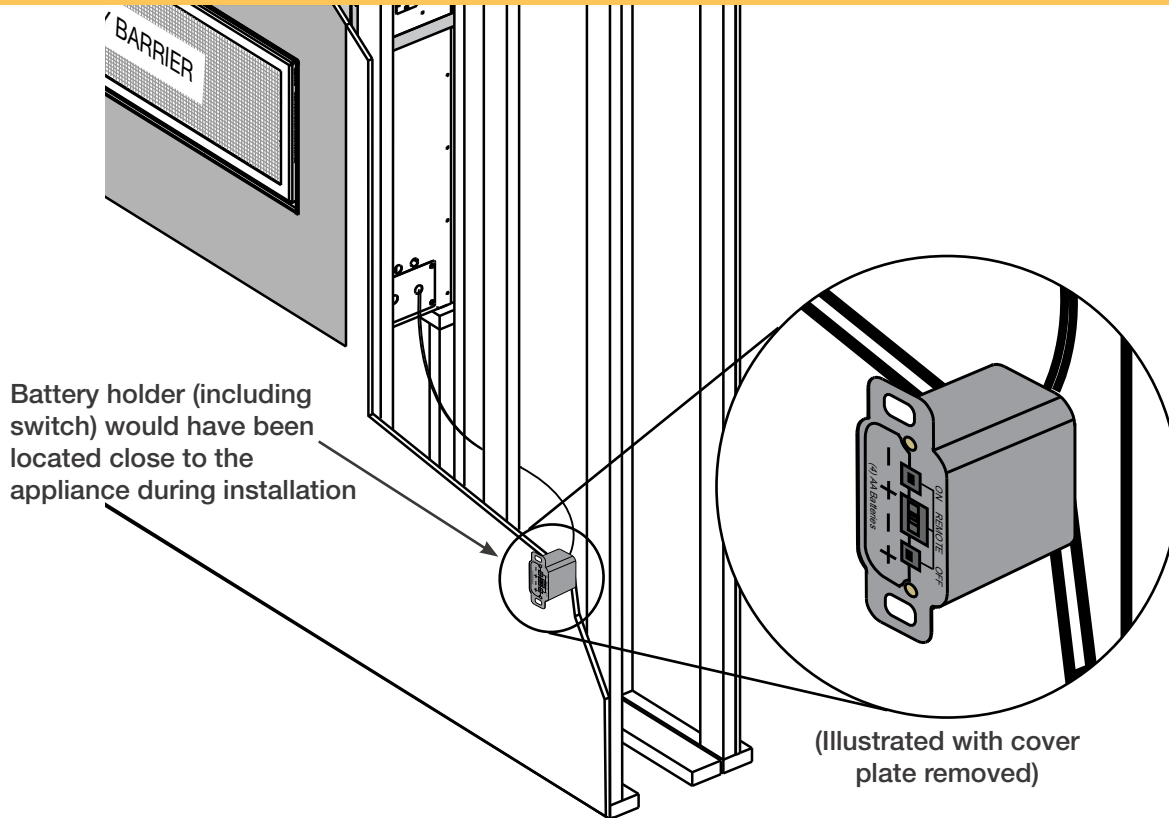
Use only your hand to turn the gas control knob (never use tools). If the knob will not turn by hand, do **not** try to repair it. Contact a qualified technician.



2.3.3 changing the batteries in the remote / battery holder (including switch)

! WARNING

- Ensure the gas and electrical power to the appliance is turned off.
- Appliance may be hot, do not service until the appliance has cooled.

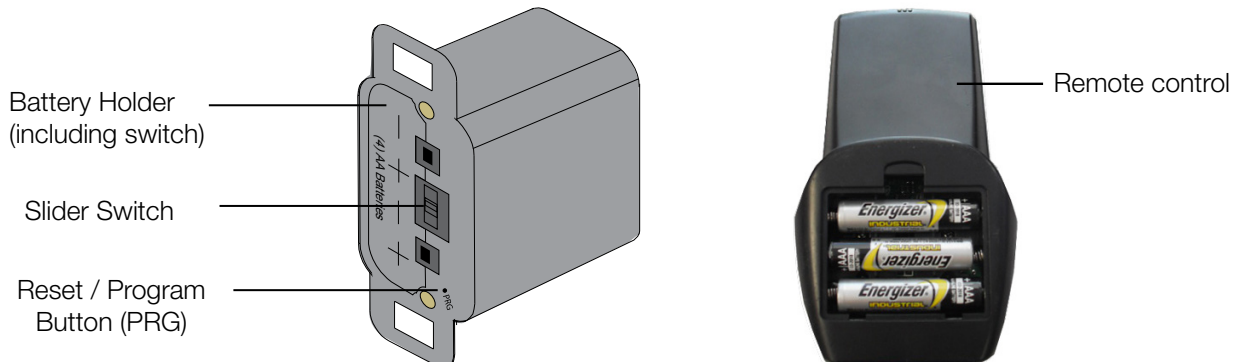


For battery holder (including switch):

- Remove the two screws securing cover plate to battery holder (including switch). Do not discard.
- Remove the 4 “AA” alkaline batteries in the battery holder (including switch) and replace with new ones. Note the polarity of the batteries and insert as indicated on the cover (+/-).
- Secure the cover plate to the battery holder (including switch) using the screws removed in step A.

For remote control:

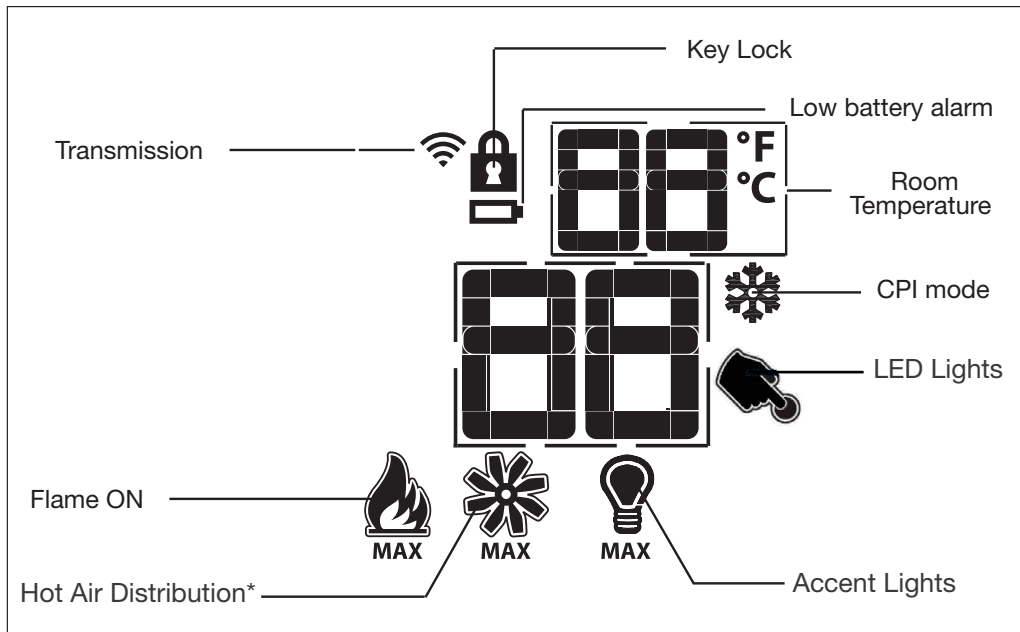
- Press the securing clip on the back of the remote control to release the back cover. Remove the 3 “AAA” alkaline batteries in the remote and replace with new batteries then press the ON button. The battery holder will beep 4 times to indicate that the remote’s command is accepted.



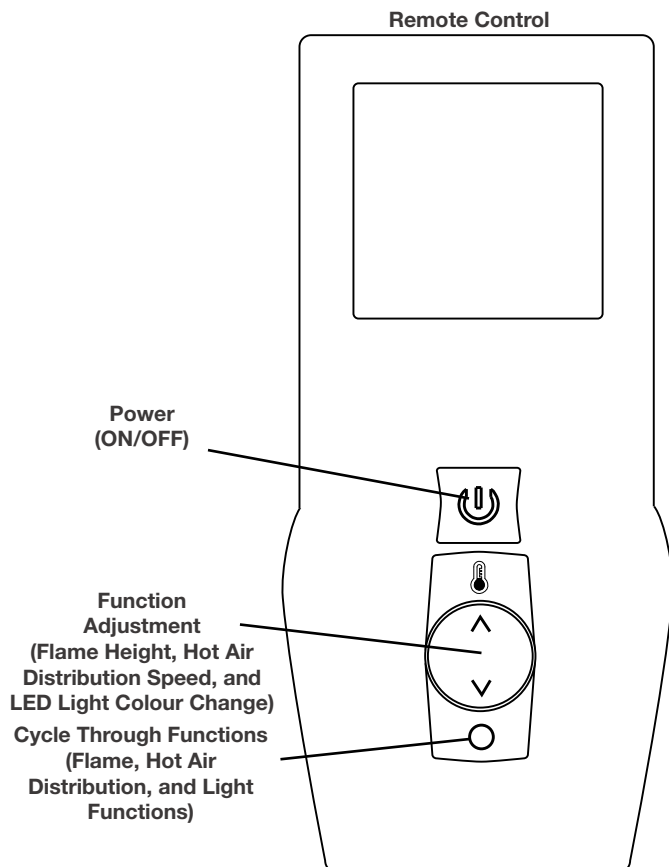
3.0 remote control layout

note:

The remote control is optional for the L series.



*Where fitted and where connected to the appliance control board.



note:

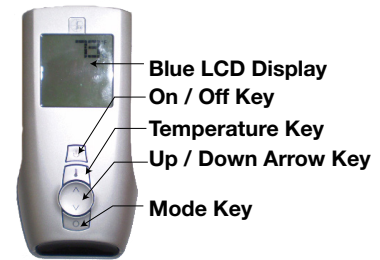
Install the 3 'AAA' batteries into the remote control, as shown, then press the ON button. The battery holder will beep 4 times to indicate that the remote's command is accepted.



4.0 remote control operation (optional for L models)

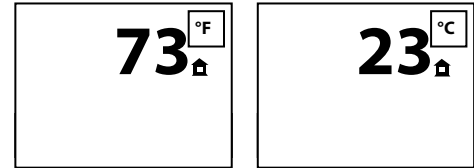
4.1 remote control operation

- A. Press the **on / off** key on the transmitter. The transmitter display will show all active icons on the screen. A single “beep” from the receiver will confirm reception of the command.



4.2 temperature display

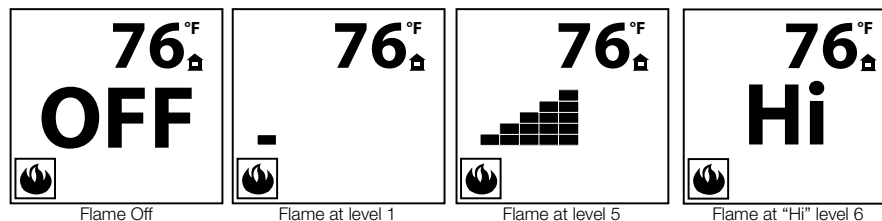
- A. With the system in the **off** position, press the **temperature key** and the **mode key** at the same time to change from degrees F to C.
- B. Look at the LCD screen on the transmitter to verify that a C or F is visible to the right of the room temperature display.



4.3 flame height time

The remote control has six (6) flame levels. With the system on and the flame level at the maximum, press the **down arrow key** once and it will reduce the flame height by one step until the flame is turned off.

The **up arrow key** will increase the flame height each time it is pressed. If the **up arrow key** is pressed while the system is on but the flame is off, the flame will come on at the high position. A single “beep” will confirm reception of the command.



4.4 child proof function

This function will lock the keys to avoid unsupervised operation.

- A. Press the **mode and up keys** at the same time.
- B. To de-activate this function, press the **mode and up keys** at the same time.



4.5 LEDs

The auxiliary function controls the **AUX** power outlet on the control module which controls the **LEDs**.

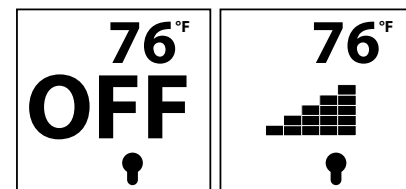
- A. Use the **mode key** to guide you to the **AUX** icon.
- B. Pressing the **up arrow key** will activate the **LEDs**.
- C. Pressing the **down arrow key** will turn the **LEDs off**. A single “beep” will confirm the reception of the command.



4.6 night light dimmer control

The auxiliary function controls the **Night Light™** with dimmable control.

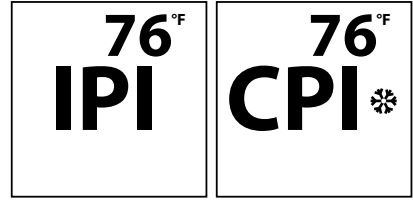
- A. Use the **mode key** to guide you to the **Night Light™** icon.
- B. The intensity of the output can be adjusted through 6 levels. Use the **up/down arrow keys** to adjust the output level. A single beep will confirm reception of the command.



remote control operation

4.7 continuous pilot / intermittent pilot (CPI / IPI) selection

- When the transmitter is in the **off** position, use the **mode key** to guide you to the CPI mode icon.
- Press the **up/down** to switch between **IPI and CPI modes**. A single beep will confirm reception of the command.



note:

If the appliance is equipped with a CPI/IPI toggle switch, set the CPI/IPI to CPI position to enable remote CPI operation. If the switch is set to IPI then it will only work in IPI regardless of what is set on the remote control handset.

4.8 low battery / manual bypass

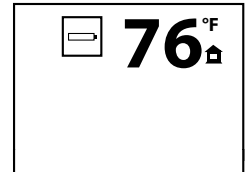
The life span of the remote batteries depends on various factors: quality of the batteries, the number of ignitions, etc.

When the transmitter batteries are low, a battery icon will appear on the LCD display before all battery power is lost. When the batteries are replaced, this icon will disappear.

When the receiver batteries are low, no “beep” will be emitted from the receiver when it receives an **on/off** command. This is an alert for the receiver that there’s low battery.

When the batteries are replaced the “beep” will be emitted from the receiver when the **on/off key** is pressed.

If the batteries of the receiver or transmitter are low, the appliance can be turned on manually by sliding the three position slider switch on the receiver to the **on** position. This will bypass the remote control feature and the appliance main burner will come on if the gas valve is in the **on** position.



4.9 in the event of a power failure

If the receiver is equipped with batteries they will enable flame height control or **on/off** function to control the appliance during a power failure. Blower and **Night Light™** operation is not possible. Refer to “**appliance operation**” section when communications between receiver and transmitter have been lost. The receiver will emit a “beep” sound to confirm programming has been successful once power is restored. During a power failure, if the appliance was on, the flame height will stay at the setting prior to the failure. If off when the failure occurs and then turned on, the flame height will come on at “**Hi**”. The flame height can then be controlled by the remote.

4.10 eFIRE Controller application (optional for L models)

Napoleon’s eFIRE app will revolutionize the way you use your fireplace. We have cracked the code and present to you the first fireplaces to be controlled by Bluetooth technology, using an intuitive app on your mobile device.

When fully equipped (if applicable), the eFIRE application allows you to create every imaginable color, selecting the one that fits your current mood, or your décor with ease, the simple colour wheel tool swiftly scrolls through the full color spectrum. Napoleon’s eFIRE app controls every function of your fireplace including; on/off, flame height and a timer to create a schedule for your fireplace that works for you.

Using the instructions on the eFIRE controller application website <http://napoleonfireplaces.com/efire>, install the app and enjoy the features the eFIRE Controller app offers.*

*Visit the website or contact your authorized dealer for appliance specific information and/or frequently asked questions regarding features and products available with the eFIRE Controller app.

note:

The remote control is considered the master control for the appliance and can always be used to turn the appliance off (for example, in the event the user who’s eFIRE controller app was controlling the appliance leaves the home).

4.11 LED on/off light control (LV / LVX only)



Light function mode is **off**. **Cannot** operate light function while in this mode.

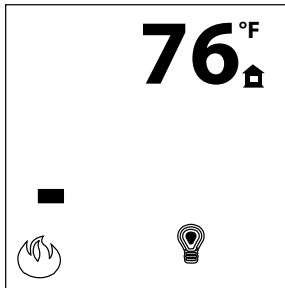


Light function mode is **on**. **Can** operate light function while in this mode.

note:

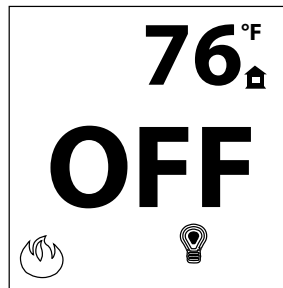
The remote must be in light function mode to change colours.

A. White colour



Pressing the light function adjustment button up "**▲**" to single bar will turn on the LED lights. The initiated light colour is white.

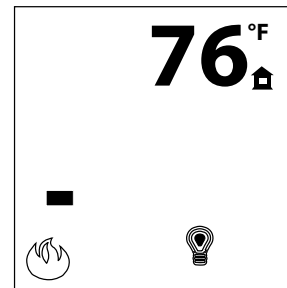
B.



Press the light function adjustment button down "**▼**" to turn OFF the LED lights.

C.

Scrolls through various colours

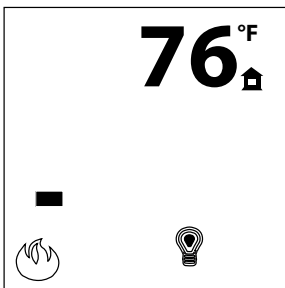


Press the light function adjustment button up "**▲**" to single bar and the LED lights will initiate the rolling colours.

note:

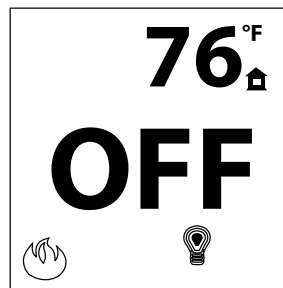
Must be within 10 seconds of Step A for this function to work.

D. Locks onto colour



To lock onto one of the rolling colours. Press the light function adjustment button down "**▼**" at the colour selection. Then instantly press the button up "**▲**".

E.



Press the light function adjustment button down "**▼**" to turn OFF the LED lights.

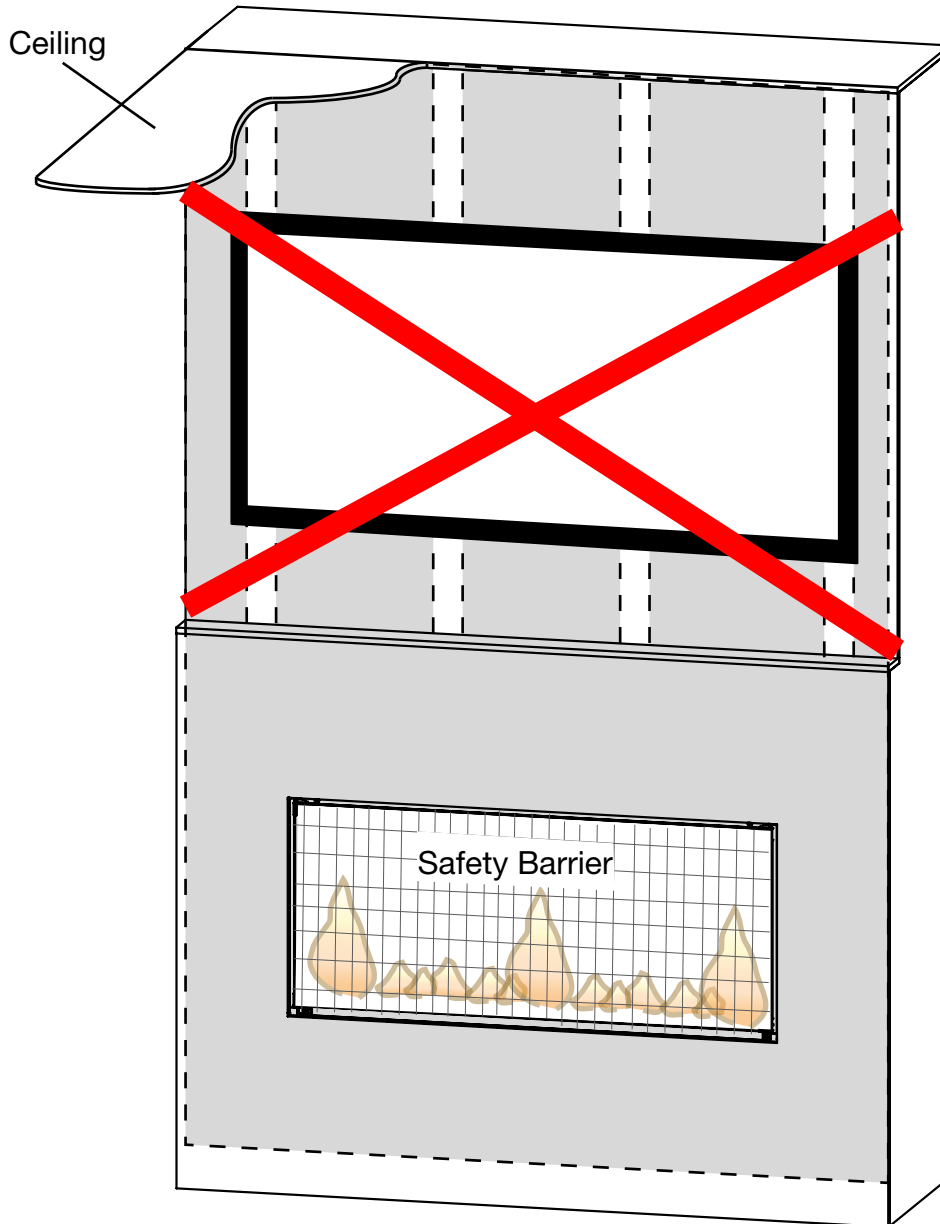
note:

After the colour has been locked, pressing **off** and **on** will start the cycle over with the white colour. If the light is in the **off** position and then switched back to the **on** position, the cycle will begin again with the white colour. In order to reset this operation, at any time, press **off** for a minimum of 10 seconds.

5.0 clearances around fireplace

! WARNING

- The Dynamic Heat Control™ system is not available for any appliance from the Acies series (L models). Do **not** follow any instructions provided in the “Dynamic Heat Control™ (LV optional / LVX included)” section if you have an L model. Refer to your appliance installation manual or contact your authorized dealer for more information. **Fire hazard!**
- Your appliance, gas/electrical connections, venting and various key components are hidden behind the wall. It is critical that no screws penetrate the areas illustrated below. Failure to follow instructions may cause improper operation, damage, personal injury or fire. Always use a stud finder and only screw into studs.



(L illustrated)


The temperatures above the fireplace for L models will be hot, making it unsuitable for mounting a TV or other objects sensitive to heat above the fireplace without risk of damage.

Installing a mantel between this appliance and electronics or other materials that may be sensitive to heat will reduce the effect of direct heat on them.

The size and material of the mantel will affect the allowable clearance above your fireplace and incorrect placement could become a fire hazard. Consult your installation manual and/or authorized dealer for more information.

Your fireplace, gas/electrical connections and vent are hidden directly behind the finished wall. Great care should be taken to avoid screwing or nailing into these components. Always use a stud finder to determine stud location and only screw into studs.

Do not screw into the area around the fireplace opening.

 No screws in this area.

(Screw restriction applies to **ALL** models.)

important:

If in doubt, refer to your installation manual and/or contact your authorized dealer.

5.1 Dynamic Heat Control™ (LV optional / LVX included)

! WARNING

- When fitted with DHC, your appliance, gas/electrical connections, venting and various key components are hidden behind the wall. It is critical that no screws penetrate the areas illustrated below. Failure to follow instructions may cause improper operation, damage, personal injury or fire. Always use a stud finder and only screw into studs (see illustration in “Dynamic Heat Control™ (not available for L models)” section).



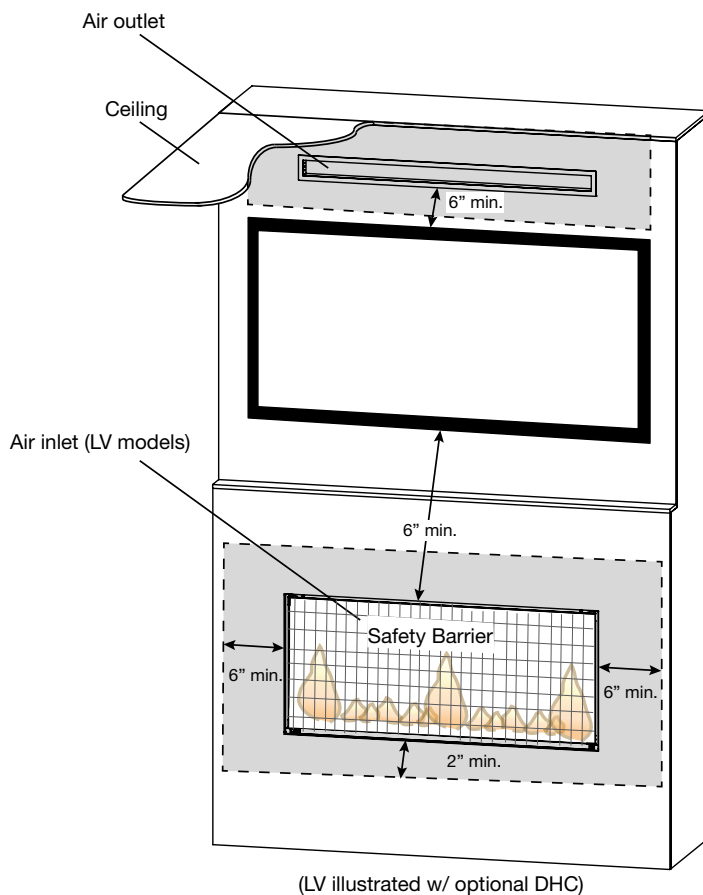
PATENT PENDING

Dynamic Heat Control™ is a system for managing the heat produced by the appliance at and around the fireplace opening. The purpose of Dynamic Heat Control™ is to move the heat away from the fireplace to allow it to circulate more effectively within the living space. By installing the Dynamic Heat Control™, you gain considerable benefits:

- Heat is circulated more consistently throughout the living space increasing comfort in front of the fireplace.
- Increased real world efficiency as heat is moved into the room rather than retained inside the fireplace enclosure.
- Complete flexibility in selection of finish materials.
- Ability to place a TV, sound bar or artwork above the fireplace.

note:

The Dynamic Heat Control™ system should be installed with the appliance. It is not practical as an upgrade after installation and finishing completed. The Dynamic Heat Control™ system is not available for L models.

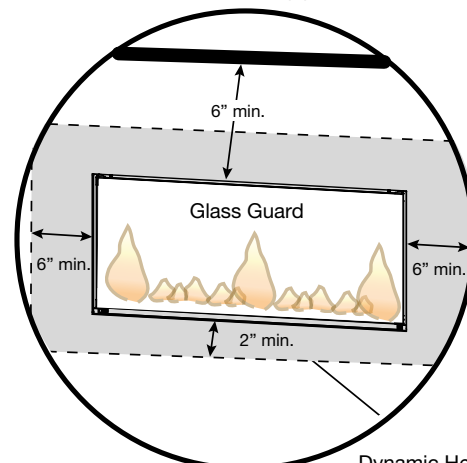


DOS

- Screw into studs (see “Dynamic Heat Control™ (not available for L models)” section).
- Maintain at least the minimum clearances illustrated.

DON'TS

- Place objects too close to air outlet
- Place objects too close to air inlet.
- Screw into the appliance.



(LVX illustrated)
Dynamic Heat Control™ Air Inlet (LVX models)

Image not to scale.

6.0 maintenance

WARNING

- Turn off the gas and electrical power before servicing the appliance.
- Appliance may be hot. Do not service until appliance has cooled.
- **For qualified technicians only:**
- Label all wires prior to disconnection when servicing controls. Wiring errors can cause improper and dangerous operation. Verify proper operation after servicing.
- This appliance and its venting system should be inspected before use and at least annually by a qualified service person.
- The flow of combustion and ventilation air must not be obstructed.

DOS

- Clean your glass guard assembly (**LVX only**) regularly (see “care of glass” section.) Clean your safety barrier (**L and LV only**) or regularly to prevent the build up of excessive lint/dust from carpeting, pet hair, etc. Simply vacuum using the brush attachment.
- Always use ammonia-free glass cleaners.
- Service your appliance annually and/or as required. Service must be conducted by a qualified technician.
- Keep your appliance area clear and free of combustible materials, gasoline, or other flammable vapors and liquids.
- Check to see that the burner ignites completely on all openings when turned on. A 5 to 10 second total light-up period is satisfactory. Service as required.

DON'TS

- Attempt to service the electrical or gas components. Contact a qualified technician.
- Use excessive force.
- Use abrasive cleaners on glass.
- Paint the pilot assembly.
- Place objects too close to the fireplace opening (**all models**) or air inlet and air outlet (**LV models fitted with optional DHC and LVX models**)

note:

For any questions and/or concerns regarding your appliance, maintenance and service, please contact your authorized dealer.

6.1 care of glass

WARNING

- Do not clean glass when hot! Do not use abrasive cleaners to clean glass.

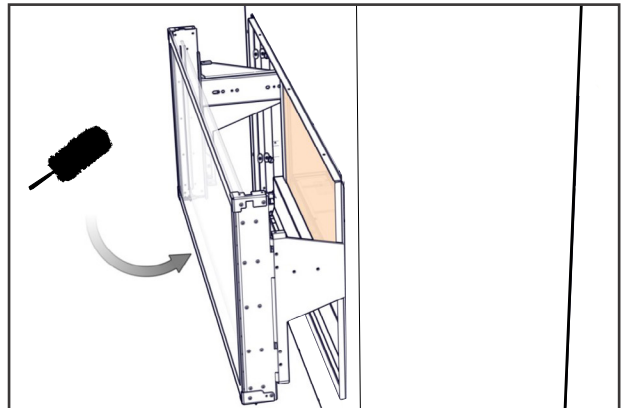
important:

The GGA includes two pieces of glass, **one of which is floating**. Take care never to lift the GGA upside down or the floating piece of glass can become detached and may break. Always handle the GGA with the mounting hooks pointing downwards. Should the floating piece of glass ever need to be removed (not recommended for installation, maintenance and/or cleaning), the front side **MUST** be marked prior to removal. The GGA floating glass includes special glass coatings from the factory and the glass can only be installed one way around. **Always reassemble the floating glass piece in the same direction as it was removed** or the product performance will be compromised.



Glass Guard Assembly (LVX only) :

- Unlatch the glass guard assembly and carefully slide assembly all the way out, see “glass guard removal / installation (LVX only)” section.
- Use a duster or a cloth to clean the back and between the two front panes of glass.
- Clean the intermediate glass pane.
- To clean the inside surface of the firebox glass door, completely remove the glass guard assembly, see “glass guard removal / installation (LVX only)” section. Remove the glass door, see “door removal” section and follow the instructions below.



Firebox Glass Door :

Do not use ammonia-based cleaners.

Buff lightly with a clean dry soft cloth to remove accumulated dust or fingerprints. Clean both sides of the glass after the first 4 hours of operation with a recommended fireplace glass cleaner.

note:

Vinegar-based or ammonia-free glass cleaners have generally demonstrated an ability to provide a clean, streak free glass surface.

Thereafter clean as required. If the glass is not kept clean permanent discoloration and / or blemishes may result. Contact you local authorized dealer / distributor for complete cleaning instructions.

Do not contact the inside surface of the glass with razor blades, steel wool or other metallic objects as a thin layer of metal removed from the object may be deposited onto the coating which results in a discoloured stain or scratch like mark. More importantly, this can scratch the glass surface thereby reducing its strength.

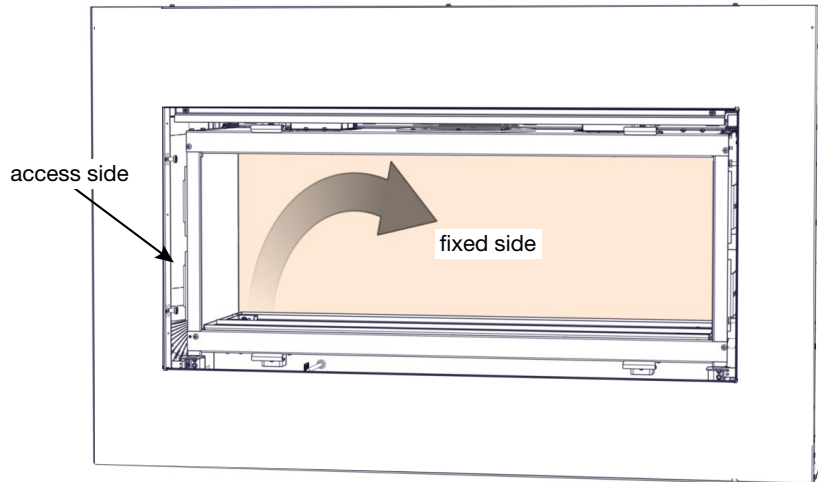
Do not operate the appliance with broken glass, as leakage of flue gases may result.

If the glass should ever crack or break while the fire is burning, do not open the door until the fire is out. Do not operate the appliance until the glass has been replaced. Contact you local authorized dealer / distributor for replacement parts. **DO NOT SUBSTITUTE MATERIALS.**

Replacement glass/frame assembly shall be replaced as a complete unit as supplied by the appliance manufacturer.

This appliance is factory equipped with tempered glass (L models only) / ceramic glass (LV / LVX models only). Use only replacement parts as supplied by the appliance manufacturer. **DO NOT SUBSTITUTE MATERIALS.**

FOR SEE-THRU MODELS, REPEAT THE STEPS ABOVE ON THE FIXED SIDE. TO CLEAN THE INNER SIDE OF THE GLASS DOOR ON THE FIXED SIDE, GO THROUGH THE ACCESS SIDE DOOR AND CLEAN AS REQUIRED.



(Illustration shows view from access side after access side firebox glass door removed.)

6.2 care of plated parts

If the appliance is equipped with plated parts, you must clean fingerprints or other marks from the plated surfaces before operating the appliance for the first time. Use a glass cleaner or vinegar and towel to clean. If not cleaned properly before operating for the first time, the marks can cause permanent blemishes on the plating. After the plating is cured, the fingerprints and oils will not affect the finish and little maintenance is required, just wipe clean as needed. Prolonged high temperature burning with the door ajar may cause discoloration on plated parts.

note:

The protective wrap on plated parts is best removed when the assembly is at room temperature but this can be improved if the assembly is warmed, using a hair dryer or a similar heat source.

6.3 glass guard assembly (GGA) removal / installation (LVX models only)

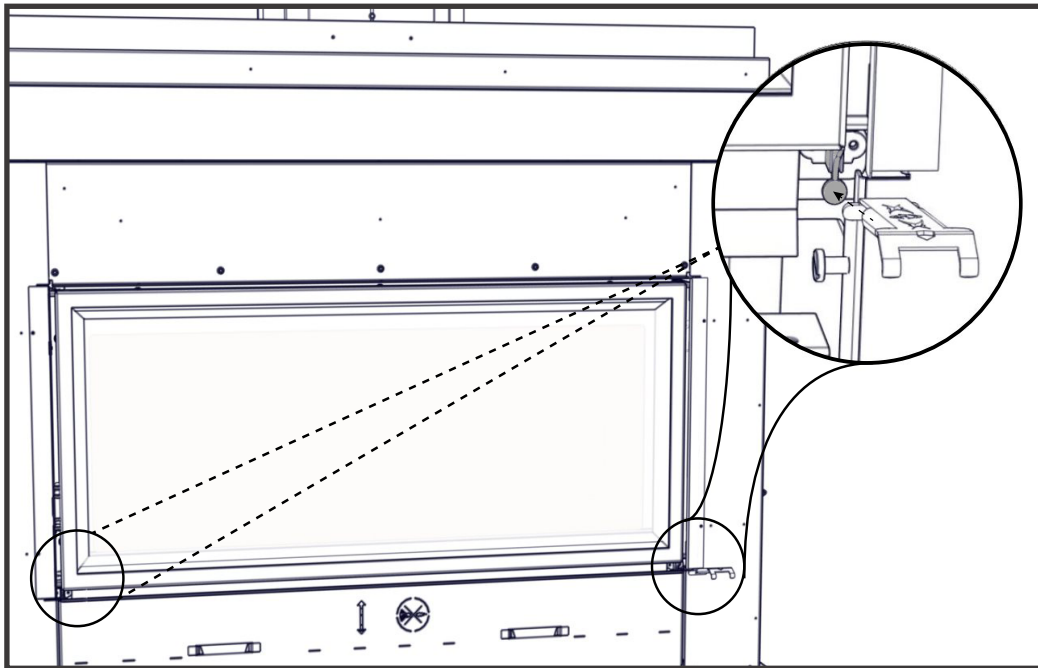
! WARNING

- Allow appliance and glass to cool completely before proceeding.

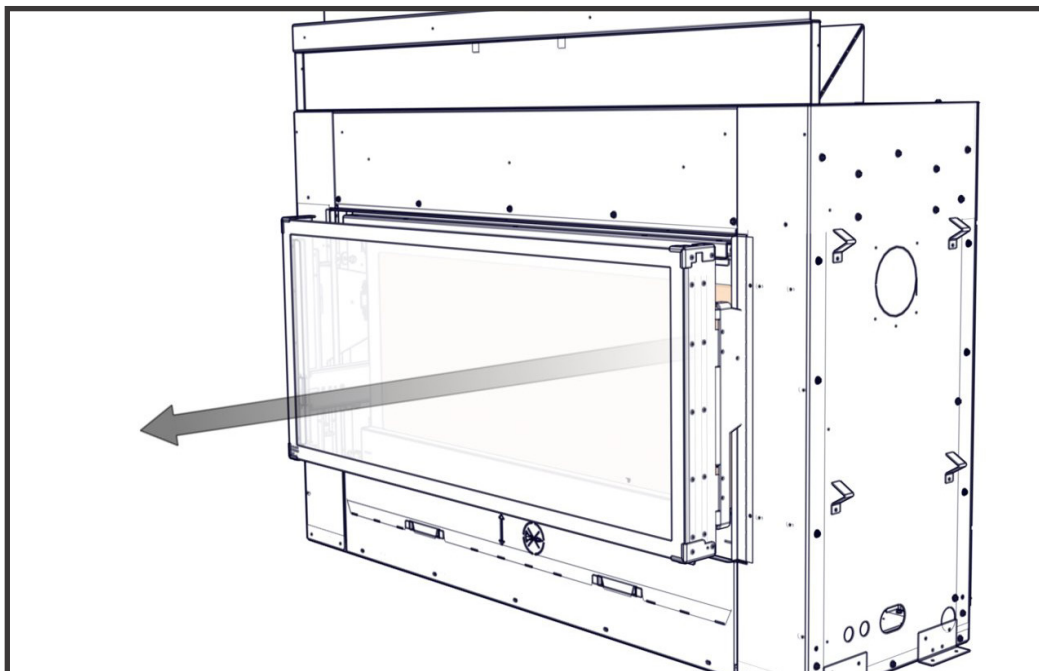
important:

The glass guard assembly (GGA) installation and/or removal will require 2 people.

6.3.1 removing your GGA (LVX only)



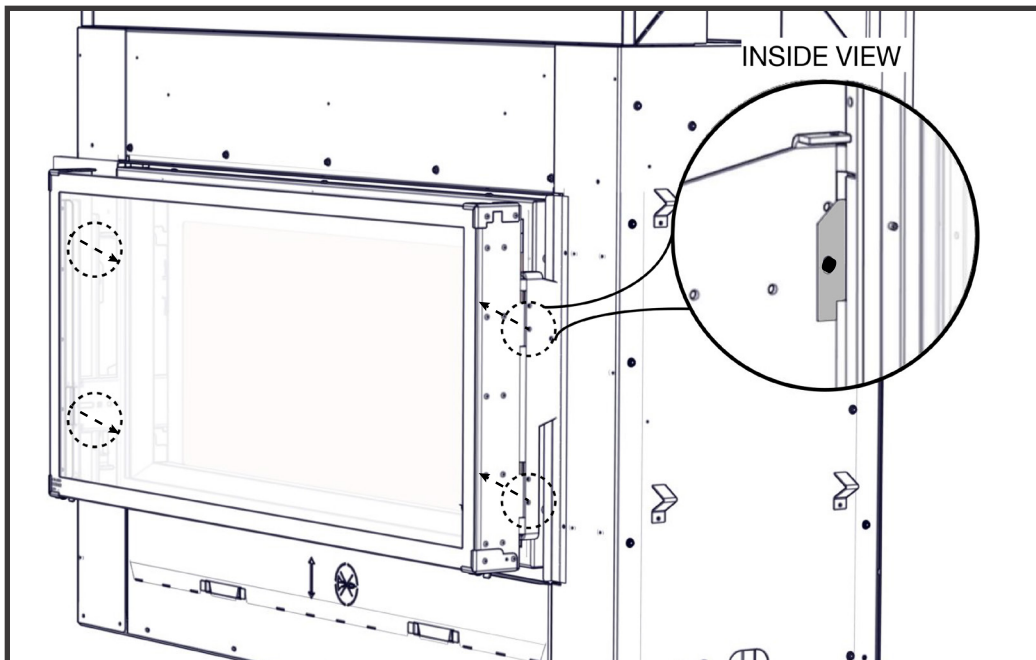
1. To open, release the safety clip from the GGA using the release tool. Push the release tool against bottom of safety clip until it disengages from GGA. Pull gently on GGA while releasing the safety clip latch.



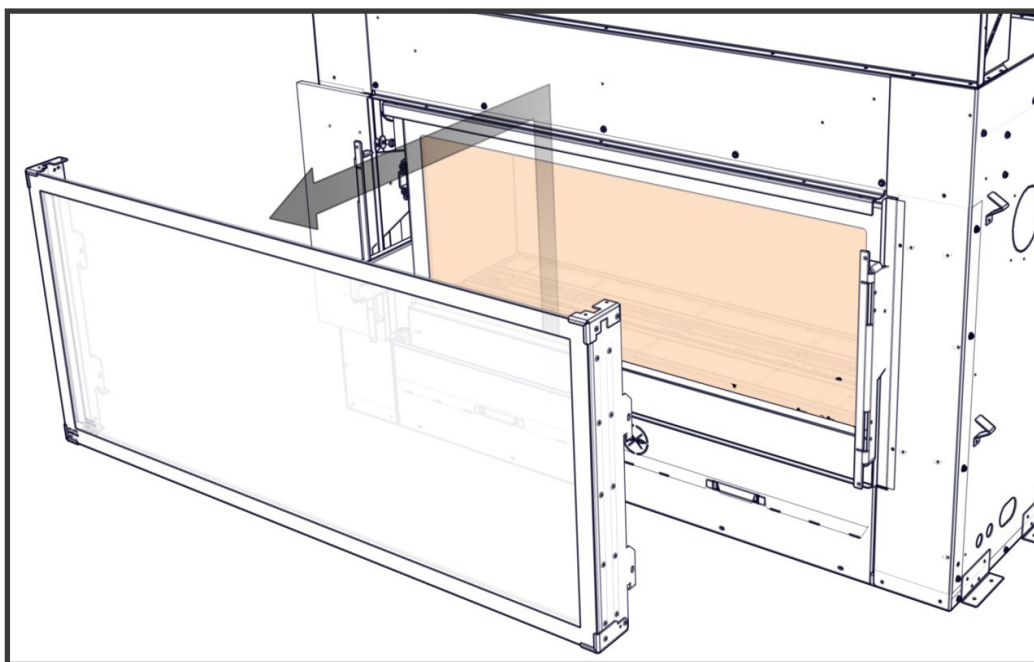
2. Pull both sides of GGA keeping it parallel to the appliance.

note:

To clean the GGA, see “care of glass” section for Glass Guard Assembly (LVX only) cleaning instructions.



3. Remove the screws and washers securing the GGA to the door support brackets (1 per corner).



4. Carefully lift the GGA up and off the door support brackets (2 per side). Set assembly on a clean, soft surface. Care must be taken to protect the edges of glass and not to dislodge the intermediate floating glass pane.

6.3.2 installing your GGA (LVX models only)

! WARNING

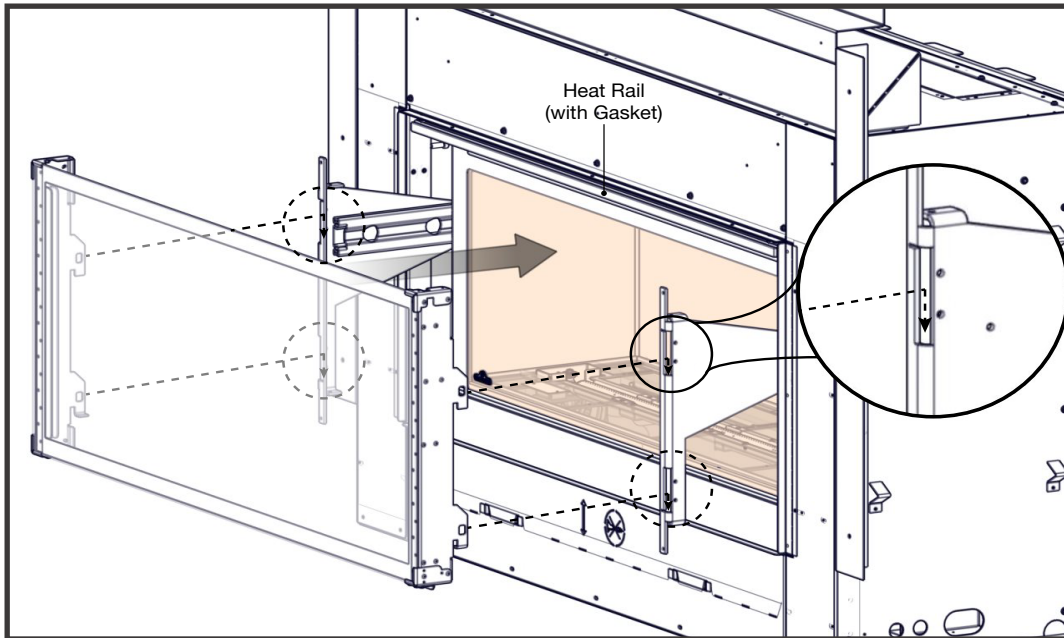
- Allow appliance to cool completely before proceeding.

note:

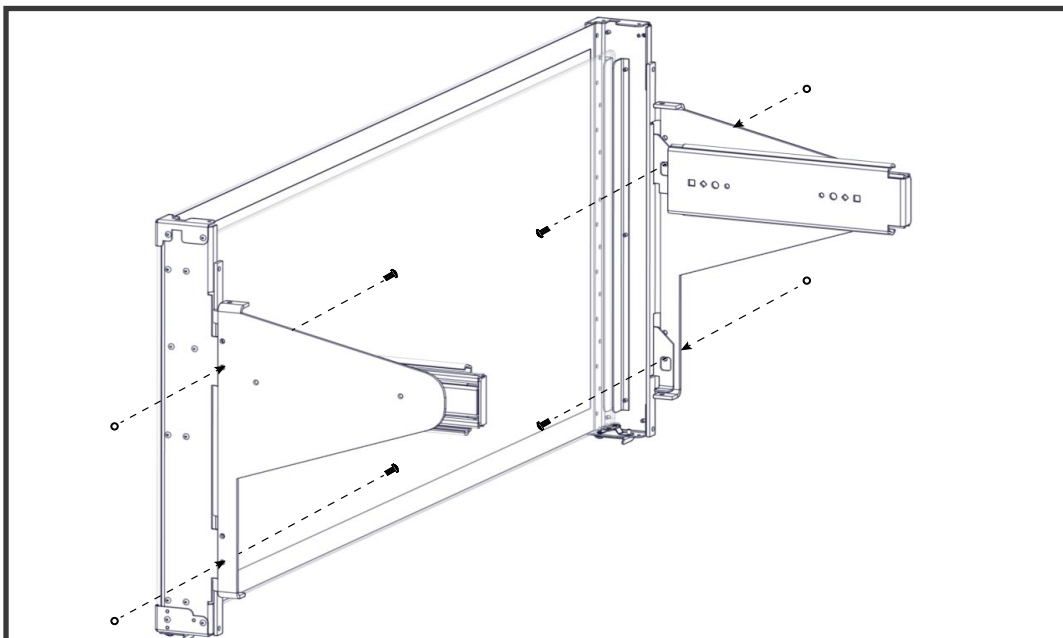
If necessary, removing the door trim can make it easier to adjust GGA. Reinstall door trim when finished.

important:

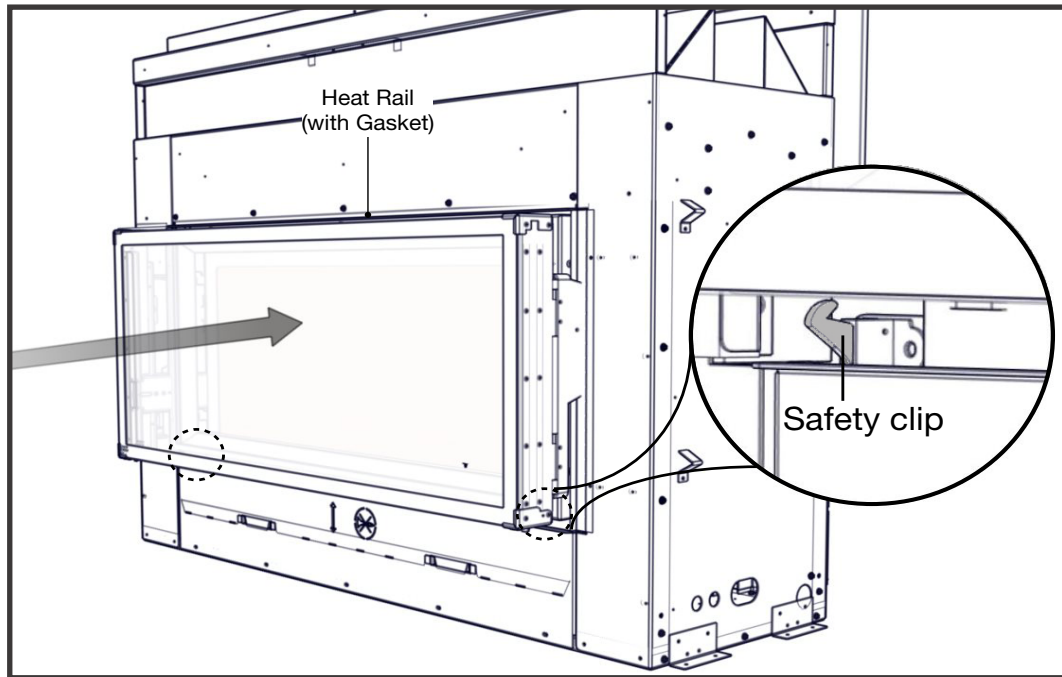
The GGA is supplied with 6 screws that provide slight up/down and tilt adjustment to align glass to finishing material. If the top of your GGA is not flush to the heat rail (with gasket) on both ends and/or requires an adjustment, please contact your authorized dealer.



1. Fully extend door mounting brackets of appliance. Carefully place GGA onto supports.



2. Keep brackets tight against GGA and install using 4 screws and washers (provided).



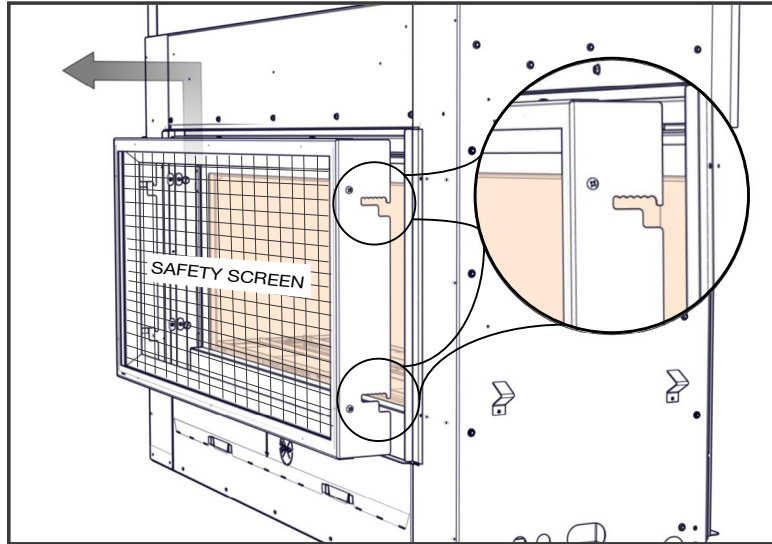
3. Slide GGA into the appliance until outer glass panel makes contact with upper gasket. GGA will 'click' into safety clips when secure. If GGA does not engage with safety clips, an adjustment may be required. Before attempting an adjustment, check that the GGA was fully sealed when reinstalled. Adjustment would have been made during installation. If adjustment is still required, contact an authorized dealer or qualified technician.
4. Loosen screws and slide in direction to ensure safety clip is engaged while GGA is touching top gasket.

6.4 safety barrier removal (L / LV models only)

! WARNING

- Allow appliance to cool completely before proceeding.

A. Lift the safety barrier up and out to disengage the four hooks. Reverse steps to install.



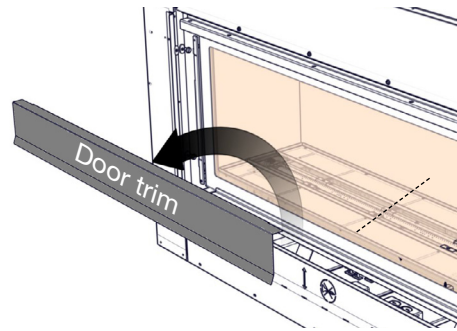
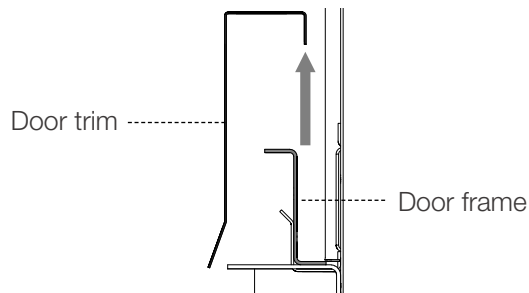
6.5 door trim removal

! WARNING

- Do not insert fingers in the gap between the door and the framing edge, there is a risk of injury due to the spring mechanism.

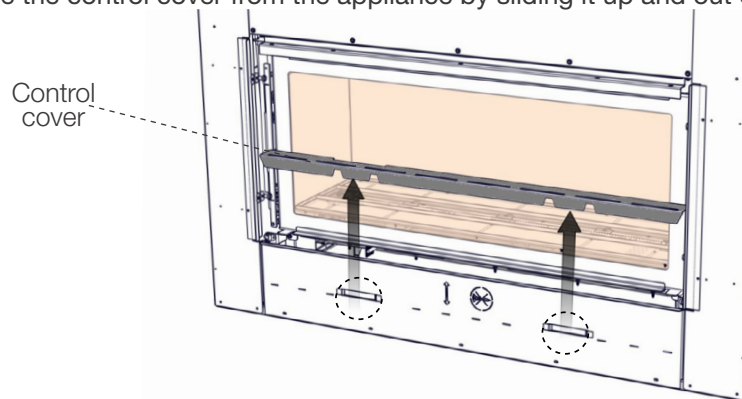
FRONT - ACCESS SIDE

Side view



LV38-1 Illustrated

- Remove the door trim by carefully lifting it up and off from behind the bottom frame of the glass door.
- Remove the control cover from the appliance by sliding it up and out of the clips of the front cover.



6.6 firebox glass door removal

- A. For door removal, locate the top and bottom door latches. Pull forwards and away to disengage door latches.

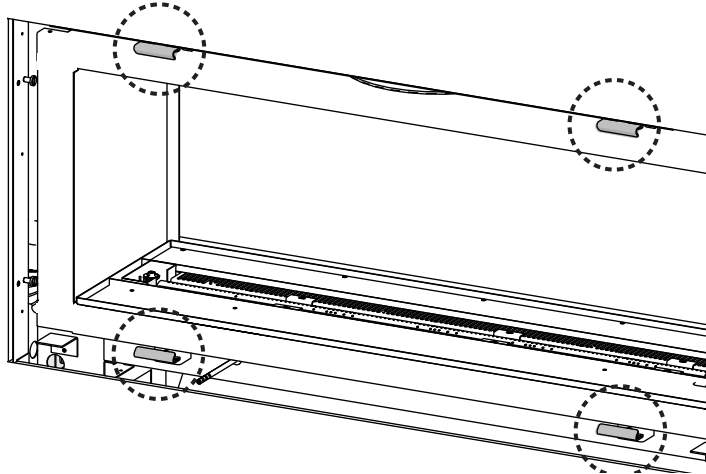
note:

Ensure to leave one hand on the glass door during entire door removal.

- B. Tilt the top of the door forwards 90 degrees, then lift it up and out of the door latches.
C. Reverse these steps to re-install the door, ensure the top and bottom door latches are properly engaged prior to releasing the door.

note:

Ensure the door opens freely and closes sealed.



LV38-1 Illustrated

IMPORTANT: Once latches are engaged, test to make sure that the door is sealed

BACK - FIXED SIDE (SEE THRU ONLY)

note:

The fixed side door operates as as a sealed system that is a critical component of your appliance's operation. This should only be removed by a qualified installer.

See-thru models have one fixed door that does not need to be remove by the owner. The inside surface of the firebox glass (fixed side) can be cleaned from the access side (see "care of glass" section).

6.7 anti-condensation switch

The L models are equipped standard with an anti-condensation switch. The LV / LVX models have the option to change from an electronic intermittent pilot ignition (IPI) to a standing pilot for cold climates. The anti condensation control (standing pilot) is located to the left of the control panel. Using your finger, flip the switch up for standing pilot or down for intermittent pilot ignition.

Turning the ACS switch on will allow the pilot flame to burn continuously. This mode will minimize the condensation which forms on the inside of the glass when the main burner is first turned on. It will also help the appliance and vent system stablize more quickly during the colder months.

During the warmer winter and summer months, the ACS switch should be turned off to minimize fuel consumption.

 **WARNING**

- Failure to position the parts in accordance with this manual or failure to use only parts specifically approved with this appliance may result in property damage or personal injury.

Contact your dealer for questions concerning prices and policies on replacement parts. Normally, all parts can be ordered through your Authorized dealer / distributor.

For warranty replacement parts, a photocopy of the original invoice will be required to honour the claim.

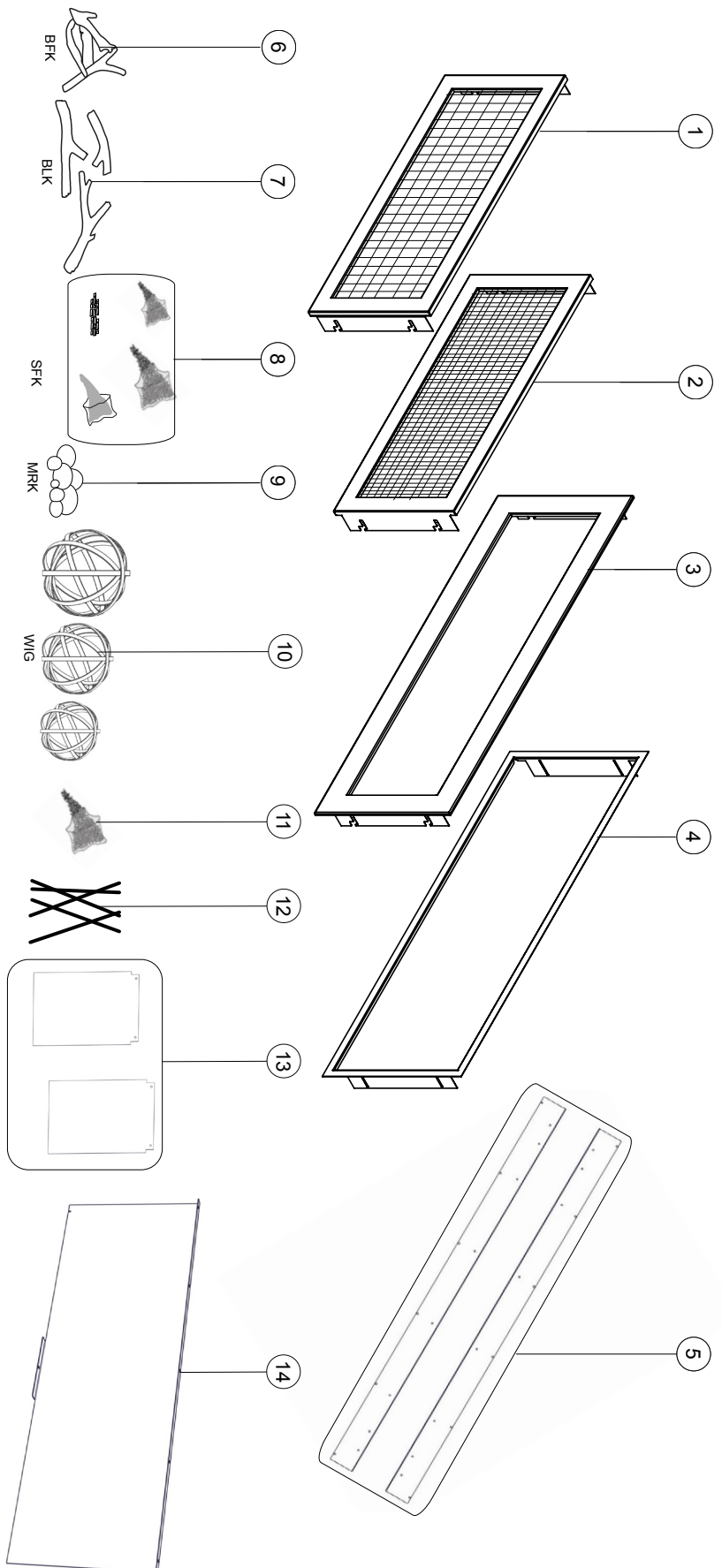
When ordering replacement parts always give the following information:

- Model & Serial Number of appliance
- Installation date of appliance
- Part number
- Description of part
- Finish

For service parts, see your installation manual.

8.0 accessories

REF. #	Description	Part Number										Stocked		
		L38	L50	LV38-1	LV50-2	LV62	LV74	LVX38	LVX50	LVX62	LVX74			
1	Standard Safety Barrier (Stainless Steel)	SSB38SS	SSB50SS	N/A	N/A	N/A	N/A	N/A	N/A	N/A	N/A	N/A	N/A	Yes
2	Premium Safety Barrier (Stainless Steel)	PSB38SS	PSB50SS	PSB38SS	PSB50SS	PSB62SS	PSB74SS	N/A	N/A	N/A	N/A	N/A	N/A	Yes
2	Premium Safety Barrier (Black)	PSB38K	PSB50K	Standard	Standard	Standard	Standard	N/A	N/A	N/A	N/A	N/A	N/A	Yes
3	Surround (Stainless Steel)	SFL38SS	SLF50SS	SFL38SS	SLF50SS	N/A	N/A	N/A	N/A	N/A	N/A	N/A	N/A	Yes
3	Surround (Black)	SLF38K	SLF50K	SLF38K	SLF50K	N/A	N/A	N/A	N/A	N/A	N/A	N/A	N/A	Yes
4	Finishing Trim (Stainless Steel)	FT38SS	FT50SS	FT38SS	FT50SS	N/A	N/A	N/A	N/A	N/A	N/A	N/A	N/A	Yes
4	Finishing Trim (Black)	FT38K	FT50K	FT38K	FT50K	N/A	N/A	N/A	N/A	N/A	N/A	N/A	N/A	Yes
5	Media Tray	EMT38	EMT50	EMT38	EMT50	Standard	Standard	Standard	Standard	Standard	Standard	Standard	Standard	Yes
6	Beach Fire Kit	BFKM	BFKM	BFKM	BFKM	BFKXL	BFKXL	BFKS	BFKM	BFKXL	BFKXL	BFKXL	BFKXL	Yes
7	Birch Log Kit	BLKS	BLKM	BLKS	BLKM	BLKL	BLKXL	BLKS	BLKM	BLKL	BLKXL	BLKXL	BLKXL	Yes
8	Shore Fire Kit	SFKM	SFKM	SFKM	SFKM	SFKL	SFKL	SFKS	SFKM	SFKL	SFKL	SFKL	SFKL	Yes
9	Mineral Rock Kit	MRKS	MRKM	MRKS	MRKM	MRKL	MRRXL	MRKS	MRKM	MRKL	MRRXL	MRKS	MRRXL	Yes
10	Wrought Iron Globe Kit	WIGM	WIGM	WIGM	WIGM	WIGL	WIGL	WIGM	WIGM	WIGL	WIGL	WIGM	WIGL	Yes
11	Glass Beads	MKB_	MKB_	MKB_	MKB_	MKB_	MKB_	MKB_	MKB_	MKB_	MKB_	MKB_	MKB_	Yes
12	Nickel Stix	LDNS	LDNS	LDNS	LDNS	LDNS	LDNS	LDNS	LDNS	LDNS	LDNS	LDNS	LDNS	Yes
13	Porcelain End Panels	PRPE	PRPE	Standard	Standard	Standard	Standard	Standard	Standard	Standard	Standard	Standard	Standard	Yes
14	Porcelain Panel (Rear)	PRPL38	PRPL50	Standard	Standard	Standard	Standard	Standard	Standard	Standard	Standard	Standard	Standard	Yes



Items may not appear exactly as illustrated

Important:

Only accessories specific to your appliance may be installed. Use of other accessories may result in improper operation of your appliance. Contact your authorized Napoleon dealer for a list of accessories suitable for your appliance. Visit the Napoleon website for more information regarding your appliance.

9.0 troubleshooting

symptom	problem	test solution
Flame is a blue, lazy, transparent flame	Blockage in vent.	- Remove blockage. In really cold conditions, ice buildup may occur on the terminal and should be removed as required.
White / grey film forms on glass.	Sulphur from fuel is being deposited on glass, logs, or surfaces.	- Clean the glass with a recommended gas fireplace glass cleaner. DO NOT CLEAN GLASS WHEN HOT. - If sulphur deposits are not cleaned off regularly, the glass may become permanently marked.
Exhaust fumes smelled in room, headaches.	Appliance may be leaking exhaust fumes into the room.	- Check firebox glass door was properly reinstalled after cleaning. - If not rectified, turn off appliance. Contact a qualified technician.
Pilot will not light. Makes noise with no spark at pilot burner.	No signal from remote with no pilot ignition.	- Reprogram receiver code. - Replace battery holder (including switch), if applicable.
Pilot sparks but will not light.	Gas supply.	- Contact a qualified technician.
	Out of propane gas.	- Fill the tank.
	Remote control (if equipped).	- Reset program: hold reset button on remote control and wait for 2 beeps. Release after second beep. Press small flame button on remote within 20 seconds, you will hear an additional beep (this signals a successful reset). - Replace remote control.
Battery holder (including switch) is in "off" position; burner comes on.	Battery holder (including wall switch) mounted upside down.	- Reverse.
	Battery holder (including switch) and/or wire is grounding.	- Replace. - Check for ground (short); repair ground or replace wire.
	Faulty wire	- Replace.
Remote control and/or battery holder (including switch) is not functioning properly.	Remote control lights but no spark or flame. (Remote is locked out).	- Reset by turning power source off then on. note: If back up batteries are installed, they must also be removed to re-program
	Battery holder (including switch) or remote has low battery.	- Replace batteries.
	Error with synchronizing.	- Reset battery holder (including switch) and remote control.
	Remote too far away from battery holder (including switch).	- Refer to "wiring diagram" section in the Installation manual.
	Flames are very aggressive.	Door is open.
Appliance won't perform any functions.	No power to the system.	- Check breaker to verify it's in the "on" position.
	Battery holder (including switch) in wrong position (if equipped).	- Verify that the 3 position switch on the battery holder (including switch) is in the remote position (middle).
	Battery holder, battery holder (including switch) and/or remote control isn't operational.	- Check battery power and battery orientation.
Appliance keeps shutting off.	High limit switch has tripped.	- Your appliance (LV models equipped with DHC or LVX models) is fitted with a safety switch that shuts your appliance off in the event that your fireplace and/or enclosure are reaching unsafe operating temperatures. Contact a qualified technician.

9.1 frequently asked questions

1. I can hear a creaking or tapping noise when my fireplace warms up or cools down. Is there something wrong?

No, fireplaces are constructed of metal which expands as it heats up and contracts as it cools. This is normal and has been considered in the design of the product. Noises during warm up and cool down particularly in cold winter months are no cause for alarm.

2. My fireplace still emits an odor for the first time I use it in the fall. Is there something wrong?

No, when the fireplace has not been used for sometime, house dust can collect on some components and an odor may be noticed for the first few hours of the season. It's normally no cause for alarm. The effect can be minimized with periodic cleaning (see "maintenance" section).

3. How frequently do I need to clean the inside of the fireplace glass door?

After the initial "burn-in", the glass will only need to be cleaned periodically, depending on the environmental conditions, the amount of use, etc. We recommend the glass is always cleaned by an authorized installer or service technician during annual maintenance. The home owner is also able to clean the glass more frequently when it becomes dirty based on their of pattern of usage, see "maintenance" section.

4. There's condensation on the glass door(s) of my appliance. Is something wrong?

No, condensation or fog on the glass is normal part of the start-up process that results as a by-product of combustion. As the firebox heats up, the condensation will start to dissipate. See "maintenance" section for instructions on cleaning your glass door(s).

5. My remote won't sync with receiver (battery holder [including switch])and or function anymore?

Ensure your battery holder (including switch) is in the remote (middle) position. Ensure batteries in both the battery holder (including switch) and the remote control do not need to be replaced. (Upon changing the batteries in the remote and the receiver, it may be necessary [in rare cases] to replace the remote system. Remote systems are warrantied for one year).

6. Why does my fireplace need an annual inspection?

Gas fireplaces need an annual inspection in order to maintain safety and reliability. It's best to get your fireplace checked each spring; that way you have a flawlessly functioning fireplace all year round when you need it. This is a very important practice, which many overlook. Because gas fireplaces burn clean and are very easy to take care of, some assume that this means it doesn't need cleaning. Safety is always number one when it comes to enjoying a roaring fire in your living space. By having an annual inspection, you ensure that your beautiful fireplace is running at peak efficiency for whenever you need that glowing comfort. Maintenance is also required to ensure all warranty related concerns within the limitations and conditions are still covered.

7. Will my appliance operate in the event of a power failure?

Your appliance is equipped with a battery back-up (battery holder for L models and battery holder [including switch for LV / LVX models). If installed, the batteries will allow the pilot and main burner to operate. However, the lights will not operate. Additionally, if your appliance has been installed with a GPV (Gas Power Vent), your appliance will not operate.

8. Should I leave my ACS / pilot on or off?

Anti-condensation switches (ACS) are used in cooler climates on electronic ignition models where there is an increased potential for moisture from outside and products of combustion to condense onto the interior surfaces of the firebox, glass and pilot assembly when the burner turns off. The ACS reduces the potential for corrosion and staining of the glass. An additional benefit of ACS utilization is that it will help keep draft established when the burner is turned off and prevents a cold air block from occurring. This allows for quicker re-ignitions with fewer restarts, especially during colder weather. The ACS/pilot should be turned off in warmer climates or summer months to avoid wasting gas.

If in doubt, contact your authorized dealer or a qualified technician.

For more FAQ's, visit our website: <http://napoleonfireplaces.com/faqs>.

Napoleon products are manufactured under the strict Standard of the world recognized ISO 9001 : 2008 Quality Assurance Certificate.

Napoleon products are designed with superior components and materials assembled by trained craftsmen who take great pride in their work. The burner and valve assembly are leak and test-fired at a quality test station. The complete appliance is again thoroughly inspected by a qualified technician before packaging to ensure that you, the customer, receives the quality product that you expect from Napoleon.

Napoleon Gas Appliance President's Lifetime Limited Warranty

The following materials and workmanship in your new Napoleon gas appliance are warranted against defects for as long as you own the appliance. This covers: combustion chamber, heat exchanger, stainless steel burner, Phazer™ logs and embers, rocks, ceramic glass (thermal breakage only), gold plated parts against tarnishing, porcelainized enameled components and aluminum extrusion trims.*

Electrical (110V and millivolt) components and wearable parts are covered and Napoleon will provide replacement parts free of charge during the first year of the limited warranty. This covers: blowers, gas valves, thermal switches, switches, wiring, remote controls, ignitors, gaskets and pilot assemblies.*

Labour related to warranty repair is covered free of charge during the first year. Repair work, however, requires the prior approval of an authorized company official. Labour costs to the account of Napoleon are based on a predetermined rate schedule and any repair work must be done through an authorized Napoleon dealer.

* Construction of models vary. Warranty applies only to components included with your specific appliance.

Conditions and Limitations

Napoleon warrants its products against manufacturing defects to the original purchaser only. Registering your warranty is not necessary. Simply provide your proof of purchase along with the model and serial number to make a warranty claim. Napoleon reserves the right to have its representative inspect any product or part thereof prior to honouring any warranty claim. Provided that the purchase was made through an authorized Napoleon dealer your appliance is subject to the following conditions and limitations:

Warranty coverage begins on the date of original installation. This factory warranty is non-transferable and may not be extended whatsoever by any of our representatives. The gas appliance must be installed by a licensed, authorized service technician or contractor. Installation must be done in accordance with the installation instructions included with the product and all local and national building and fire codes. This limited warranty does not cover damages caused by misuse, lack of maintenance, accident, alterations, abuse or neglect, and parts installed from other manufacturers will nullify this warranty. This limited warranty further does not cover any scratches, dents, corrosion or discoloring caused by excessive heat, abrasive and chemical cleaners nor chipping on porcelain enamel parts, mechanical breakage of Phazer™ logs and embers. This warranty extends to the repair or replacement of warranted parts which are defective in material or workmanship provided that the product has been operated in accordance with the operation instructions and under normal conditions. After the first year, with respect to this President's Lifetime Limited Warranty, Napoleon may, at its discretion, fully discharge all obligations with respect to this warranty by refunding to the original warranted purchaser the wholesale price of any warranted but defective part(s).

Napoleon will not be responsible for installation, labour, or any other expenses related to the reinstallation of a warranted part and such expenses are not covered by this warranty. Notwithstanding any provisions contained in the President's Lifetime Limited Warranty, Napoleon's responsibility under this warranty is defined as above and it shall not in any event extend to any incidental, consequential or indirect damages. This warranty defines the obligations and liability of Napoleon with respect to the Napoleon gas appliance and any other warranties expressed or implied with respect to this product, its components or accessories are excluded. Napoleon neither assumes, nor authorizes any third party to assume, on its behalf, any other liabilities with respect to the sale of this product. Napoleon will not be responsible for: over-firing, downdrafts, spillage caused by environmental conditions such as rooftops, buildings, nearby trees, hills, mountains, inadequate vents or ventilation, excessive venting configurations, insufficient makeup air, or negative air pressures which may or may not be caused by mechanical systems such as exhaust fans, furnaces, clothes dryers, etc. Any damages to the appliance, combustion chamber, heat exchanger, plated trim or other components due to water, weather damage, long periods of dampness, condensation, damaging chemicals or cleaners will not be the responsibility of Napoleon. All parts replaced under the President's Limited Lifetime Warranty Policy are subject to a single claim.

During the first 10 years Napoleon will replace or repair the defective parts covered by the lifetime warranty at our discretion free of charge. From 10 years to life, Napoleon will provide replacement parts at 50% of the current retail price. All parts replaced under the warranty will be covered for a period of 90 days from the date of their installation. The manufacturer may require that defective parts or products be returned or that digital pictures be provided to support the claim. Returned products are to be shipped prepaid to the manufacturer for investigation. If a product is found to be defective, the manufacturer will repair or replace such defect. Before shipping your appliance or defective components, your dealer must obtain an authorization number. Any merchandise shipped without authorization will be refused and returned to sender. Shipping costs are not covered under this warranty. Additional service fees may apply if you are seeking warranty service from a dealer. Warranty labour allowance is only for the replacement of the warranted part. Travel, diagnostic tests, shipping and other related charges are not covered by this warranty.

All specifications and designed are subject to change without prior notice due to on-going product improvements. Napoleon is a registered trademark of Wolf Steel Ltd.

NAPOLEON CELEBRATING OVER 40 YEARS OF HOME COMFORT PRODUCTS



7200, Route Transcanadienne, Montréal, Québec H4T 1A3
24 Napoleon Road, Barrie, Ontario, Canada L4M 0G8
214 Bayview Drive, Barrie, Ontario, Canada L4N 4Y8
103 Miller Drive, Crittenden, Kentucky, USA 41030

Phone: 1-866-820-8686
napoleonproducts.com



MANUEL DU PROPRIÉTAIRE

Séries Acies / Vector / Luxuria



Modèle Luxuria illustrée.

Pour l'utilisation intérieure seulement

CONSIGNES DE SÉCURITÉ

⚠ AVERTISSEMENT

RISQUE D'INCENDIE OU D'EXPLOSION

Incapacité à suivre ces avertissements exactement peuvent entraîner de grave blessures, des pertes de vie ou des dommages matériels

- N'entreposez pas et n'utilisez pas d'essence ou autres liquides et vapeurs inflammables à proximité de cet appareil ou tout autre appareil.

- QUE FAIRE SI VOUS DÉTECTEZ UN ODEUR DE GAZ:

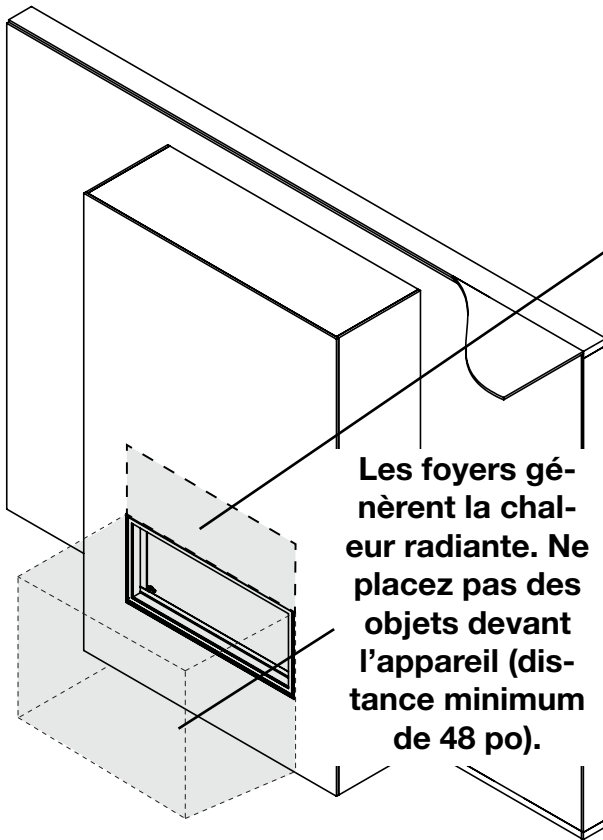
- N'allumez aucun appareil.
- Ne touchez à aucun téléphone dans votre immeuble.
- Appelez immédiatement votre fournisseur de gaz d'un téléphone dans votre immeuble.
- Si vous ne pouvez pas rejoindre votre fournisseur de gaz, appelez le service des incendies.

- L'installation et l'entretien doivent être faits par un installateur qualifié, une agence d'entretien ou le fournisseur.



AVERTISSEMENT

- Cet appareil est chaud lorsqu'il fonctionne et peut causer de graves brûlures en cas de contact.
- Toute modification apportée à cet appareil ou aux contrôles peut être dangereuse et est interdite.
- Ne faites pas fonctionner l'appareil avant d'avoir lu et compris les instructions d'opération. Omettre d'utiliser l'appareil selon les instructions d'opération pourrait causer un incendie ou des blessures.
- Risque d'incendie ou d'asphyxie. Ne faites pas fonctionner l'appareil avec la vitre retirée.
- Ne branchez pas la soupape à du courant 110 volts.
- Risque de brûlures. L'appareil doit être éteint et refroidi avant d'effectuer un entretien.
- N'installez pas de composants endommagés ou incomplets ni des composants substitués.
- Risque de coupures et d'éraflures. Portez des gants protecteurs et des lunettes de sécurité lors de l'installation. Les bordures des pièces de métal peuvent être coupantes.
- Les enfants et les adultes devraient être informés des dangers que posent les températures de surface élevées et se tenir à distance afin d'éviter des brûlures ou que leurs vêtements ne s'enflamment.
- Les jeunes enfants doivent être surveillés attentivement lorsqu'ils sont dans la même pièce que l'appareil. Les jeunes enfants et autres personnes à risque sont sujets aux brûlures accidentelles. Une barrière de protection est recommandée si des individus à risque se trouvent dans la maison. Afin de restreindre l'accès à l'appareil, installez une barrière de protection ajustable pour garder les jeunes enfants ou autres personnes à risque hors de la pièce et loin des surfaces chaudes.
- Les vêtements et autres matériaux combustibles ne doivent pas être posés sur l'appareil ou à proximité.
- En raison des températures élevées, l'appareil devrait être placé loin des endroits passants et loin des meubles et des rideaux.
- Assurez-vous de disposer de mesures de sécurité adéquates pour empêcher les jeunes enfants de toucher aux surfaces chaudes.
- Même une fois que l'appareil est éteint, la vitre et/ou le pare-étincelles demeureront chauds pendant un temps prolongé.
- Consultez votre détaillant local de foyer pour connaître les grillages de sécurité et les écrans offerts pour protéger les enfants des surfaces chaudes. Ces grillages de sécurité et ces écrans doivent être fixés au plancher.
- Tout grillage de sécurité, écrans ou barrières enlevés pour faire l'entretien devront être remis en place avant d'utiliser l'appareil.
- Cet appareil est un appareil à gaz ventilé. Ne brûlez pas de bois ou autres matériaux dans cet appareil.
- L'emplacement de l'appareil doit être gardé libre de tous matériaux combustibles, essence ou d'autres liquides et vapeurs inflammables.
- N'utilisez pas cet appareil si une partie quelconque a été submergée. Contactez immédiatement un technicien de service qualifié pour inspecter l'appareil et pour remplacer toute pièce du système de contrôle et du contrôle du gaz qui aurait été submergée.
- Ne pas opérer l'appareil lorsque la porte vitrée est enlevée, fissurée ou brisée. Le remplacement de la vitre devra être effectué par un technicien de service certifié ou qualifié.
- Ne frappez pas et ne claquez pas la porte vitrée de l'appareil.
- Lorsqu'il est équipé avec les portes d'évacuation de pression, les portes doivent demeurer fermées pendant le fonctionnement de l'appareil afin d'empêcher les gaz de combustion contenant du monoxyde de carbone de s'infiltrer dans la maison. La température des gaz de combustion s'échappant par ces ouvertures peut aussi causer les matériaux combustibles avoisinants à surchauffer et à prendre feu.
- Seules les portes/façades certifiées pour cet appareil peuvent être utilisées avec cet appareil.
- Gardez les matériaux d'emballage hors de la portée des enfants et mettez ces matériaux au rebut de façon sécuritaire. Comme tous les emballages de plastique, ces matériaux ne sont pas des jouets et doivent demeurer hors la portée des enfants et des bébés.
- Comme dans le cas de tout appareil à combustion, il est recommandé de faire inspecter et entretenir votre appareil régulièrement. De même, installez un détecteur de monoxyde de carbone dans la pièce pour vous protéger, ainsi que votre famille, contre les intoxications.
- Assurez-vous de respecter les dégagements aux matériaux combustibles lorsque vous installez un manteau ou des tablettes au-dessus de l'appareil. Les températures élevées sur le mur ou de l'air au-dessus de l'appareil peuvent faire fondre, décolorer ou endommager les décorations, les téléviseurs ou autres composants électroniques.
- Une barrière conçue à réduire le risque de brûlures causées par le verre chaud est fournie avec l'appareil et sera installée.
- Si la barrière est endommagée, elle devra être remplacée par la barrière conçue par le fabricant pour cet appareil.
- L'installation et la réparation devraient être effectuées par un technicien qualifié. L'appareil et son système d'évacuation devraient être inspectés avant l'utilisation initiale et au moins une fois l'an par un professionnel qualifié. Un nettoyage plus fréquent peut être requis en raison de la poussière excessive laissée par les moquettes, les couvertures, etc. Il est impératif que les compartiments de contrôle, le brûleur et les passages de circulation d'air soient gardés propres afin de fournir une combustion et une circulation d'air adéquates.



Les foyers génèrent la chaleur radiante. Ne placez pas des objets devant l'appareil (distance minimum de 48 po).

! AVERTISSEMENT

La zone située au-dessus de la cheminée devient chaude, (sauf si l'appareil est équipé d'un système de Dynamic Heat Control™ de Napoléon). Objets combustibles ne doivent jamais être placés dans ce domaine. Distance minimale, se référer au manuel d'installation ou de votre revendeur agréé.

! AVERTISSEMENT

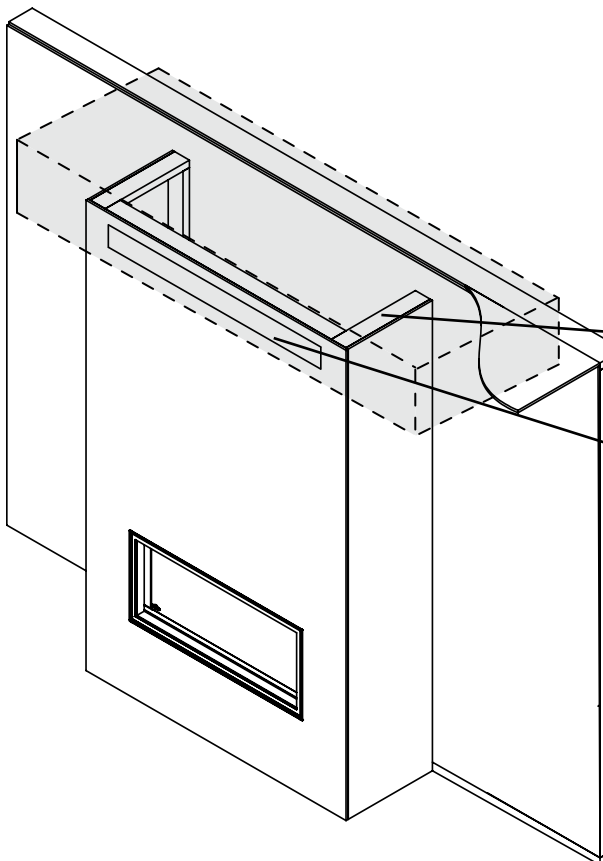


LA VITRE CHAUDE CAUSERA DES BRÛLURES.

NE PAS TOUCHER LA VITRE AVANT QU'ELLE AIT REFROIDI.

NE JAMAIS LAISSER LES ENFANTS TOUCHER LA VITRE.

Une barrière conçue à réduire le risque de brûlures causées par le verre chaud est fourni avec l'appareil et sera installé pour la protection des enfants et d'autres personnes à risque.



! AVERTISSEMENT

Si équipé avec Dynamic Heat Control™ (DHC), NE PAS COUVRIR OU PLACE POINTS À PRISE D'AÉRATION!* RISQUE D'INCENDIE !

L'air qui sort de la sortie d'air DHC est très chaud. NE JAMAIS PLACER OU PERMETTRE AUX ÉLÉMENTS DE TOMBER À L'INTÉRIEUR DU SORTIE D'AIR DHC.

* La sortie d'air DHC est présentée à l'avant de l'enceinte de la cheminée (voir illustration), mais il peut être situé à hauteur du plafond, il peut être dans la salle derrière ou dans les deux chambres.

note:

Dynamic Heat Control™ est en option sur la série Vector (modèles LV) et inclus dans la série Luxuria (modèles LVX). Dynamic Heat Control™ n'est pas disponible pour les modèles L. [BREVET DÉPOSÉ]

bienvenue félicitations

FR

Napoléon tient fièrement à votre confort domestique. Nous sommes fiers de dire que nos produits continuellement surpassent les normes de l'industrie et notre source d'inspiration c'est vous! Plus que tout, nous voulons vous faire sentir confiant dans le choix de Napoléon pour votre maison. Nos produits sont conçus pour fournir cette confiance et s'assurer que chaque produit de Napoléon est incomparable.

Les produits Napoléon sont conçus avec des composants et des matériaux de qualité supérieure, assemblés par des artisans qualifié qui sont fiers de leur travail.

Une barrière conçu à réduire le risque de brûlures à partir de la vitre chaud est à condition que avec l'appareil et **doit être installés.**

Votre appareil de Napoléon a été soigneusement inspecté par un technicien qualifié avant d'être emballé pour garantir que vous, le client, recevez le produit de qualité dont vous vous attendez de Napoléon.

Détaillant: Renseignez votre information (ou carte de visite) et l'information de l'installation de l'appareil ci-dessous.

Information du Détaillant

Nom du détaillant: _____

Location du détaillant: _____

Téléphone du détaillant: _____

E-mail du détaillant: _____

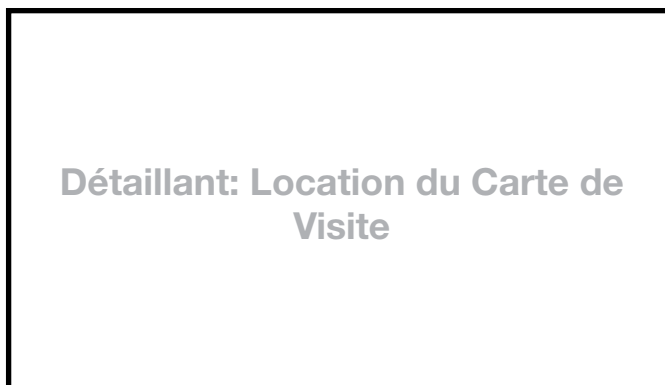
Client: _____

Adresse du Client: _____

Date d'installation: _____

Location de l'appareil: _____

Installateur: _____



N° de série: _____

Modèle:

Gaz Naturel:

Propane:

Acies	<input type="checkbox"/> L38N	<input type="checkbox"/> L38N2	<input type="checkbox"/> L38P	<input type="checkbox"/> L38P2
	<input type="checkbox"/> L50N	<input type="checkbox"/> L50N2	<input type="checkbox"/> L50P	<input type="checkbox"/> L50P2
Vector	<input type="checkbox"/> LV38N-1	<input type="checkbox"/> LV38N2-1	<input type="checkbox"/> LV38P-1	<input type="checkbox"/> LV38P2-1
	<input type="checkbox"/> LV50N-2	<input type="checkbox"/> LV50N2-2	<input type="checkbox"/> LV50P-2	<input type="checkbox"/> LV50P2-2
	<input type="checkbox"/> LV62N	<input type="checkbox"/> LV62N2	<input type="checkbox"/> LV62P	<input type="checkbox"/> LV62P2
	<input type="checkbox"/> LV74N	<input type="checkbox"/> LV74N2		
Luxuria	<input type="checkbox"/> LVX38N	<input type="checkbox"/> LVX38N2	<input type="checkbox"/> LVX38P	<input type="checkbox"/> LVX38P2
	<input type="checkbox"/> LVX50N	<input type="checkbox"/> LVX50N2	<input type="checkbox"/> LVX50P	<input type="checkbox"/> LVX50P2
	<input type="checkbox"/> LVX62N	<input type="checkbox"/> LVX62N2	<input type="checkbox"/> LVX62P	<input type="checkbox"/> LVX62P2
	<input type="checkbox"/> LVX74N	<input type="checkbox"/> LVX74N2		
Vector ou Luxuria	<input type="checkbox"/> Dynamic Heat Control™ installé (Optionnel pour LV / includ pour LVX)*			

***Non disponible pour les modèles L**

félicitations	38
1.0 apprendre à connaître votre appareil	40
1.1 accès de contrôles	41
1.2 location de la plaque d'homologation / instructions d'allumage	42
2.0 faites fonctionner votre appareil	43
2.1 utilisation de votre appareil (L seulement)	43
2.3 composants arrêt / marche	43
2.2 utilisation de votre appareil (LV / LVX seulement)	43
2.3.1 changeant les piles dans le bloc-piles (modèles L seulement)	44
2.4 service de couverture (modèles L seulement)	44
2.4.1 changeant les piles dans la télécommande / support du batteries inclus commutateur	45
3.0 dessin général de la télécommande	46
4.0 fonctionnement de la télécommande (optionnel pour modèles L)	47
4.1 fonctionnement de la télécommande	47
4.2 afficheur de température	47
4.3 hauteur de la flamme	47
4.4 fonction de sécurité pour enfants	47
4.5 LEDs	47
4.6 veilleuse gradateur	47
4.7 la sélection pilote continu / pilote intermittent (CPI / IPI)	48
4.8 faible piles / le by-pass manuel	48
4.9 en cas de panne de courant	48
4.10 l'application Contrôleur eFIRE (optionnel pour les modèles L)	48
4.11 contrôle de lumière LED (modèles LV / LVX seulement)	49
5.0 dégagements autour de l'appareil	50
5.1 Dynamic Heat Control™ (LV optionnel / LVX includ)	51
6.0 entretien	52
6.1 soins de la vitre	53
6.2 soins des pièces plaquées	54
6.3 enlèvement/installation de l'ensemble du protection de verre (GGA) (modèles LVX seulement)	55
6.3.1 enlevant votre GGA (modèles LVX seulement)	55
6.3.2 installant votre GGA (modèles LVX seulement)	57
6.4 enlèvement de la barrière de protection (modèles L / LV seulement)	59
6.5 enlèvement de la garniture de la porte	59
6.7 enlèvement de la porte	60
6.6 interrupteur contre la condensation	60
7.0 rechanges	61
8.0 accessoires	62
9.0 guide de dépannage	64
9.1 questions fréquente	65
10.0 garantie	66
11.0 historique d'entretien	67



L'icône du camera indique que les vidéos sont disponibles comme une référence supplémentaire, visitez <http://mynapoleon.napoleonproducts.com/download/index/44/1>

1.0 apprendre à connaître votre appareil

FR

Ce manuel est écrit pour une série complète de cheminées linéaires qui ont une gamme de différentes caractéristiques et spécifications. Avant de lire ce manuel, assurez-vous de que savoir quel modèle de cheminée que vous avez. Ces informations vont ont été remplies sur la plaque signalétique qui est fixée en permanence au foyer (voir la section « vue d'ensemble de l'appareil »).

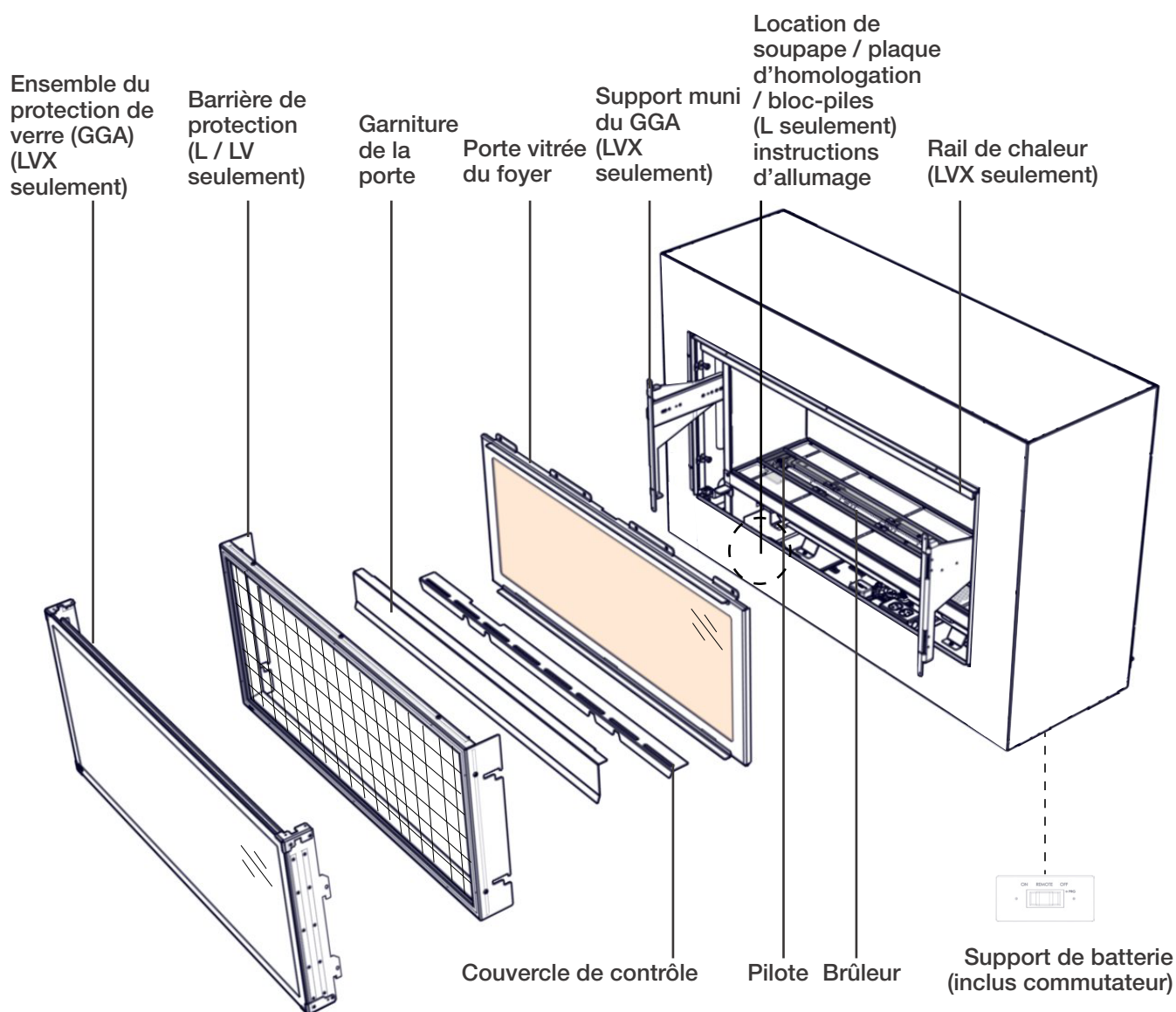
Ce manuel s'adresse au

- **Séries Acies** (préfixe du numéro de modèle « **L** »)
- **Séries Vector** (préfixe du numéro de modèle « **LV** »)
- **Séries Luxuria** (préfixe du numéro de modèle « **LVX** »)

Si nécessaire, plus d'information technical est inclus dans le manuel d'installation de votre appareil.

L'information tout au long de ce manuel est censée être correctes au moment de l'impression. Wolf Steel Ltd. se réserve le droit de changer ou modifier toute information dans ce manuel à tout moment sans préavis. Modifications, autres que l'éditorial sont signalées par un trait vertical dans la marge.

Visitez le site web de Napoléon pour la version le plus récent de votre manuel.



Certaines fonctionnalités et certains composants illustrés peuvent varier selon votre modèle.

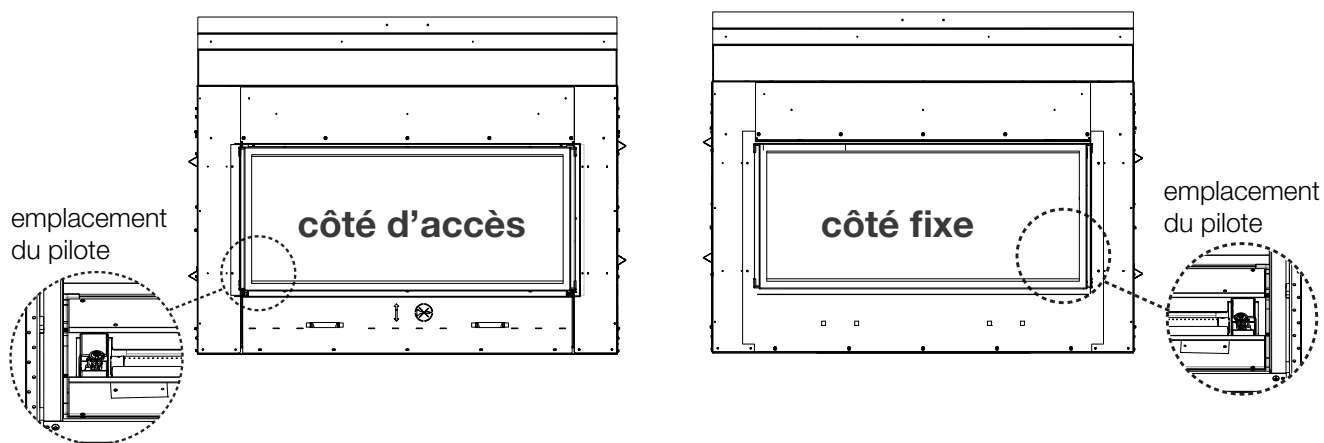
Modèle simple face illustrée.

apprendre à connaître votre appareil

FR

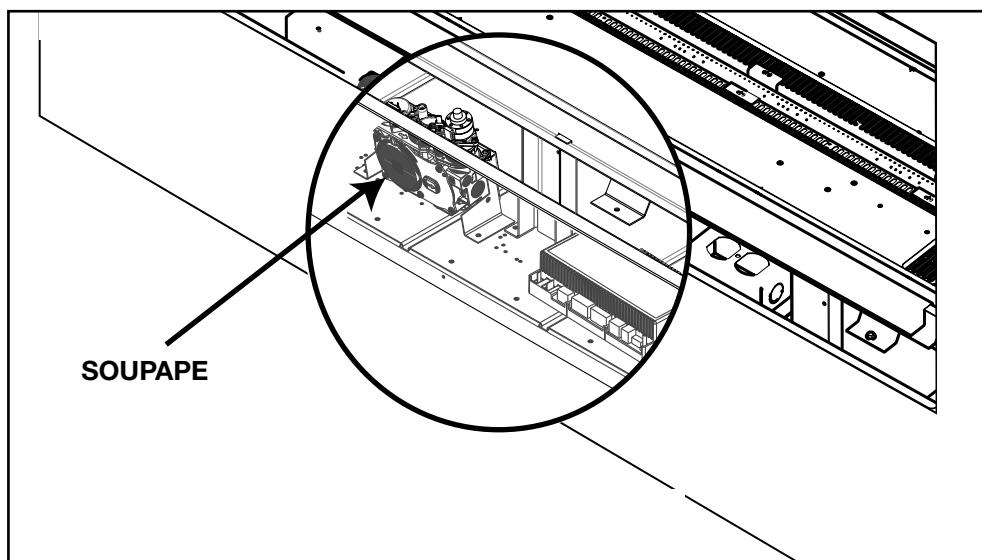
Le terme « accès côté » est utilisé dans le présent manuel et désigne le côté ouvert de la cheminée où se trouve la porte vitrée de chambre de combustion.

Si l'appareil est transparent, il existe des portes vitrées foyer des deux côtés de l'appareil. Une de ces portes est fixe et ne peut pas être supprimée. Le côté d'accès peut être identifié par l'emplacement du pilote.



1.1 accès de contrôles

L'accès aux contrôles peut être fait par l'intermédiaire du foyer après enlever la barrière de protection (**modèles L / LV**) ou l'ensemble de protection de verre (**modèles LVX**), la porte vitrée, garniture de la porte et la couvercle de contrôle (voir la section « entretien » pour les instructions d'enlèvement pour ses composants).



apprendre à connaître votre appareil

FR

1.2 location de la plaque d'homologation / instructions d'allumage

La plaque d'homologation et les instructions d'allumage sont attachés à une chaînette située à gauche des contrôles de l'appareil, près de la soupape (côté accès). Retirez la barrière de protection ou l'ensemble du protection de verre pour accéder aux contrôles de l'appareil.

Pour remettre la barrière de protection ou l'ensemble de protection de verre, glissez les instructions près des contrôles de l'appareil et réinstallez l'écran de protection ou glissez l'ensemble du protection de verre en position verrouillée.

KEEP BURNER AND CONTROL COMPARTMENT CLEAN. SEE INSTALLATION AND OPERATING INSTRUCTIONS MANUAL. APPLIANCE NEEDS FRESH AIR FOR SAFE OPERATION AND MUST BE INSTALLED WITH ADEQUATE PROVISIONS FOR COMBUSTION AND VENTILATION AIR.

AVERTISSEMENT:
IMPROPER INSTALLATION, ADJUSTMENT, ALTERATION, SERVICE OR MAINTENANCE CAN CAUSE PROPERTY DAMAGE, PERSONAL INJURY OR LOSS OF LIFE. REFER TO OWNER'S MANUAL. INSTALLATION AND SERVICE MUST BE PERFORMED BY A QUALIFIED INSTALLER. SERVICE AGENT OR THE GAS SUPPLIER.

ATTENTION:
UN INSTALLATION OU UNE MODIFICATION INAPPROPRIÉE DU RÉGLAGE, DU SERVICE ET DE L'ENTRETIEN POURRAIENT ÊTRE LA CAUSE DE DOMMAGES À LA PROPRIÉTÉ, DE BLESSURES CORPORELLES OU MÊME LA MORT. CONSULTEZ LE MANUEL D'INFORMATION, L'INSTALLATION ET LE SERVICE DOIVENT ÊTRE EXÉCUTÉS PAR UN INSTALLATEUR QUALIFIÉ POUR LE GAZ. UNE ENTREPRISE DE SERVICE OU LE FOURNISSEUR DE GAZ SEULEMENT.

CAUTION:
HOT WHILE OPERATING. DO NOT TOUCH. KEEP CHILDREN, CLOTHING, FURNITURE, GASOLINE OR OTHER FLAMMABLE VAPORS AWAY.

AVERTISSEMENT:
L'APPAREIL EST CHAUD PENDANT SON FONCTIONNEMENT. LES ENFANTS, LES VÊTEMENTS, LES MEUBLES, L'ESSENCE ET AUTRES LIQUIDES QUI ÉMETTENT DES GAZ VOLATILS INFLAMMABLES DOIVENT ÊTRE TENUS ÉLOIGNÉS DE L'APPAREIL.

FOR YOUR SAFETY:
DO NOT STORE OR USE GASOLINE OR OTHER FLAMMABLE VAPORS AND LIQUIDS IN VICINITY OF THIS OR ANY OTHER APPLIANCE.

CAUTION: DO NOT OPERATE THE FIREPLACE WITH THE GLASS REMOVED, CRACKED OR BROKEN. REPLACEMENT OF THE GLASS SHOULD BE DONE BY A LICENSED OR QUALIFIED PERSON.

SECURITÉ:
NE PAS ENTREPOSER NI UTILISER D'ESSENCE NI D'AUTRES VAPEURS OÙ LIQUIDES INFLAMMABLES DANS LE VOISINAGE DE CET APPAREIL OU DE TOUT AUTRE APPAREIL.

AVERTISSEMENT: NE PAS UTILISER L'APPAREIL SI LE PANNEAU FRONTAL EN VERRE N'EST PAS EN PLACE, EST CRAQUÉ OU BRISÉ. CONFIEZ LE REMPLACEMENT DU PANNEAU À UN TECHNICIEN AGRÉÉ.

GAZÉZ LE BRÛLEUR ET LE COMPARTIMENT DES CONTRÔLES PROPRES. CONSULTEZ LE MANUEL D'INFORMATION ET D'INSTALLATION PAR MESURE DE SÉCURITÉ. CET APPAREIL DOIT ÊTRE ALIMENTÉ EN AIR FRAIS ET AVEC SUFFISANT D'AIR COMBURANT ET DE VENTILATION.

GARDEZ LE BRÛLEUR ET LE COMPARTIMENT DES CONTRÔLES PROPRES. CONSULTEZ LE MANUEL D'INFORMATION ET D'INSTALLATION PAR MESURE DE SÉCURITÉ. CET APPAREIL DOIT ÊTRE ALIMENTÉ EN AIR FRAIS ET AVEC SUFFISANT D'AIR COMBURANT ET DE VENTILATION.

CERTIFIED TO CANADIAN AND AMERICAN NATIONAL STANDARDS: CSA 2.2-2016 AND ANSI Z21.50-2016 FOR VENTED DECORATIVE GAS FIREPLACES.
CERTIFIÉ SELON LES NORMES NATIONALES CANADIENNES ET AMÉRICAINES: CSA 2.2-2016 ET ANSI Z21.50-2016 POUR LES APPAREILS À GAZ VENTILÉS DÉCORATIFS.

DIRECT VENT, VENTED GAS FIREPLACES. APPROVED FOR RESIDENTIAL USE. CANADIAN CERTIFICATION: APPROVED FOR INSTALLATION IN A COUCHER, UNE SALE DE BAIN ET UN STUDIO. APPROPRIÉ POUR L'INSTALLATION DANS UNE MAISON MOBILE SI SON INSTALLATION CONFORME AUX EXIGENCES DE LA NORME CANADIENNE RÉGIE DE MAISONS MOBILES COUVERTES AU GAZ. UN VÉHICULE AU CANADA OU AILLEURS EST SOUS LE GAZ. NORME DE SÉCURITÉ ET DE CONSTRUCTION DE MAISONS MANUFACTURÉES, TITRE 24 CHAP. SECTION 5081. DANS LE CAS DE CETTE NORME, DES TESTS SONT NECESSAIRES POUR ÊTRE APPLIQUÉS. SE RÉFÉRER À LA NORME RELATIVE AU CRITÈRE DE MESURES DE SÉCURITÉ CONTRE L'INCENDIE POUR LES INSTALLATIONS DANS LES MAISONS MANUFACTURÉES. LES SITES ET LES COMMUNAUTÉS ANNEXES À 5014. CODES. INSTALLER L'APPAREIL SELON LES CODES OU RÈGLEMENTS LOCAUX, OU EN L'ABSENCE DE TELLS RÈGLEMENTS, SELON LES CODES D'INSTALLATION ANSI Z221.1 OU CSA-B149 EN VOIGER. POUR UTILISATION AVEC LA BARRIÈRE WITH-418. SUIVRE LES INSTRUCTIONS D'INSTALLATION QUI SE TROUVENT DANS LE MANUEL D'INSTALLATION.

MANUFACTURER'S PRESSURE: 11" W.C. (IP)
PRESSON D'ALIMENTATION MAX. 12" D'UNE COLONNE D'EAU (IP)

MAX. SUPPLY PRESSURE: 13" W.C. (IP)
PRESSON D'ALIMENTATION MAX. 12" D'UNE COLONNE D'EAU (IP)

NOT FOR USE WITH SOLID FUEL FOR USE WITH GLASS DOORS CERTIFIED WITH THIS APPLIANCE ONLY.
AVERTISSEMENT: N'UTILISEZ PAS AVEC UN COMBUSTIBLE SOLIDE NE DOIT PAS ÊTRE UTILISÉ AVEC CET APPAREIL. UTILISER AVEC LES PORTES VITRÉES HOMOLOGUÉES SEULEMENT AVEC CET APPAREIL.

AVERTISSEMENT: N'UTILISEZ PAS AVEC UN COMBUSTIBLE SOLIDE NE DOIT PAS ÊTRE UTILISÉ AVEC CET APPAREIL. UTILISER AVEC LES PORTES VITRÉES HOMOLOGUÉES SEULEMENT AVEC CET APPAREIL.

LES JUMES AUTRES QUE CELLS QUI SONT FOURNIS AVEC CET APPAREIL, NE SONT PAS PERMIS.

THE APPLIANCE MUST BE VENTED USING THE APPROPRIATE NAPOLION VENT KIT. SEE OWNER'S INSTALLATION MANUAL FOR VENTING SPECIFIC. PROPER REINSTALLATION AND RESEALING IS NECESSARY AFTER SERVICING THE VENT AIR HOME SYSTEM.

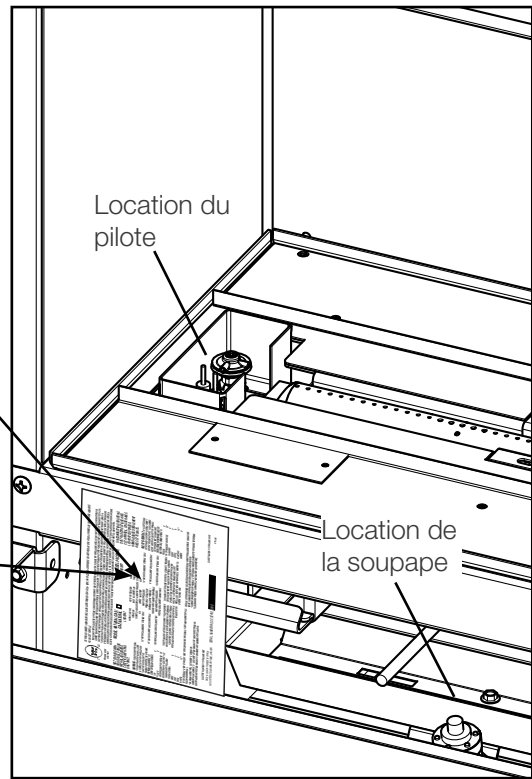
L'APPAREIL DOIT ÊTRE VENTÉ EN UTILISANT L'ENSEMBLE D'ÉVACUATION PROPRIÉTAIRE NAPOLION. RÉFÉRER AU MANUEL D'INSTALLATION POUR LES SPÉCIFICATIONS D'ÉVACUATION. IL EST IMPORTANT DE BIEN RÉINSTALLER ET DE RÉSCÉLER L'ÉVENT APRÈS AVOIR ASSURÉ LE MANTENIR DU SYSTÈME DE VENT AIR.

ELECTRIC: BATHING: 110V, 60HZ, LESS THAN 15 AMPERES
ÉLECTRIQUE: BAIN: 110V, 60HZ, MOINS DE 15 AMPERES

DECORATIVE PRODUCT NOT FOR USE AS HEATING APPLIANCE
PRODUIT DÉCORATIF: NE PAS UTILISER COMME APPAREIL DE CHAUFFAGE

SERIAL NUMBER/NO. DE SÉRIE: LVX38

WOLF STEEL LTD. 24 NAPOLEON ROAD, GARRIE, ON, L4H 0S8 CANADA



Cette illustration est fournie à titre de référence seulement. Pour les renseignements exacts, consultez la plaque d'homologation fixée sur l'appareil.

note:
La plaque d'homologation doit rester avec l'appareil à tout instant. Il ne doit pas être enlevé.

2.0 faites fonctionner votre appareil

FR

Lorsque vous utilisez votre appareil pour la première fois, il y a un rodage processus requis qui guérit les matériaux utilisés pour la fabrication de la cheminée qui peut émettre une odeur inhabituelle. Ces vapeurs sont normales lorsque vous utilisez un nouvel appareil pour la première fois. Assurer la circulation d'air suffisante est prévue au cours de la procédure de gravure.

2.1 utilisation de votre appareil (L seulement)

Pour allumer l'appareil :

- A Allumez l'interrupteur marche/arrêt.
- B Après 3 à 5 secondes, le contrôle va commencer une étincelle à la veilleuse, allumer le pilote, puis le brûleur. La période d'allumage sera 60 dernières secondes, ou jusqu'à ce que le pilote a allumé.
- C Lorsqu'il est utilisé pour la première fois, si le processus de rodage n'était pas rempli par l'installateur faites fonctionner les appareil en permanence pendant 4 heures (burn-in).
- D Mettez l'appareil hors tension. Attendez que l'appareil est complètement refroidi avant de passer à l'étape suivante.
- E Enlever la porte de verre et barrière de sécurité et la porte vitrée. Nettoyez la porte vitrée (voir la section « entretien »). Remplacer porte vitrée et de la barrière de protection.

Pour plus d'informations, consultez votre manuel d'Installation ou de contacter votre revendeur agréé.

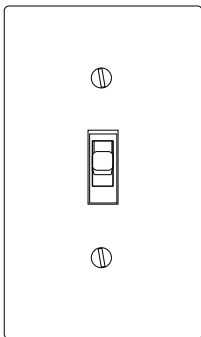
2.2 utilisation de votre appareil (LV / LVX seulement)

Pour allumer l'appareil :

- A **Pour fonctionnement sur batterie titulaire (y compris l'interrupteur) :** Remettez l'appareil marche/arrêt en tournant le support de batterie (y compris le commutateur) la « on » et/ou la position « off ».
Pour l'utilisation de la télécommande : Assurer le support de batterie (y compris l'interrupteur) est en position « remote ». Appuyez et relâchez le bouton marche/arrêt sur la télécommande. Un bip sonore doit se faire entendre de la télécommande.
- B Après 3 à 5 secondes, le contrôle va commencer une étincelle à la veilleuse, allumer le pilote, puis le brûleur. La période d'allumage sera 60 dernières secondes, ou jusqu'à ce que le pilote a allumé.
- C Lorsqu'il est utilisé pour la première fois, si le processus de rodage n'était pas rempli par l'installateur, faites fonctionner les appareil en permanence pendant 4 heures.
- D Mettez l'appareil hors tension. Attendez que l'appareil est completey refroidir avant de passer à l'étape suivante.
- E Retirer l'ensemble de protection du verre (modèles LVX) ou la barrière de protection (modèles LV) et la porte vitrée. Nettoyez la porte vitrée (voir la section « entretien »). Remplacer l'ensemble de protection du verre (modèles LVX) ou la barrière de protection (modèles LV) et la porte vitrée.

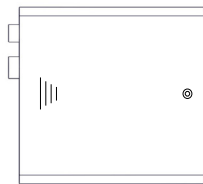
Pour plus d'informations, consultez votre manuel d'Installation ou de contacter votre revendeur agréé.

2.3 composants arrêt / marche



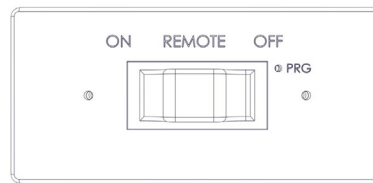
Interrupteur
marche/arrêt

(Non fourni)



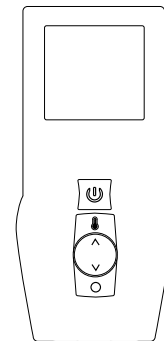
Bloc-piles

(Modèles L seulement)



Support de batterie inclus commutateur) | Télécommande |

(Optionnel pour modèles L)



(Optionnel pour modèles L)

(Optionnel pour modèles
LV / LVX)



Les piles doivent être mises au rebut conformément aux lois et à la réglementation locales. Certaines piles peuvent être recyclées et acceptées dans votre centre de recyclage local. Renseignez-vous auprès de votre municipalité au sujet des directives de recyclage.

faites fonctionner votre appareil

FR

2.3.1 changeant les piles dans le bloc-piles (modèles L seulement)

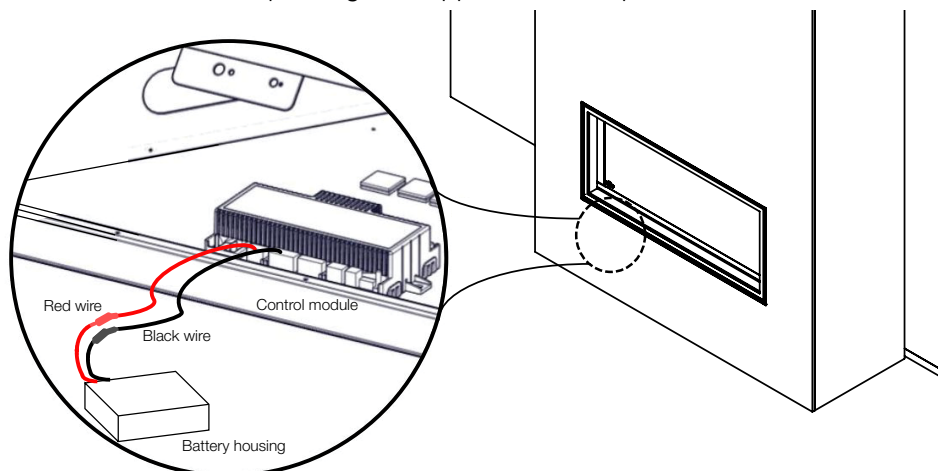
! AVERTISSEMENT

- Assurez-vous que l'alimentation électrique et la gaz à l'appareil est éteint.
- Assurez-vous que l'appareil est complètement refroidi avant de commencer service.

note:

En cas d'une panne de courant, votre appareil peut fonctionner utilisant le sauvegarde et clé. Une fois que les courant a été rétabli, débrancher le sauvegarde de pile ou enlever les piles. Le système vidangera votre piles s'ils sont laissés dans le sauvegarde de pile.

- Coupez l'alimentation électrique et clé.
- Enlever la barrière de protection, le couvercle de contrôle et la garniture de la porte pour accéder le compartiment de contrôles.
- Trouver votre sauvegarde de pile situé près du module de contrôle (voir l'illustration dessous).
- Ouvrir le sauvegarde de pile par glissez la pièce arrière à l'haut et hors du sauvegarde. Enlever les quatre piles « AA » et installez quatre nouveaux piles « AA » dans le sauvegarde de piles. Assurez que les extrémités positive et négative correspondent à ceux identifiés sur le sauvegarde de pile.
- Placer le sauvegarde de pile dans le compartiment de contrôle, assurez-vous que l'endroit est propre et facilement accessible.
- Réinstallez la barrière de protection. La barrière de protection doit être installé tous le temps pendant l'opération de l'appareil.
- Branchez l'alimentation électrique du gaz à l'appareil avant l'opération.

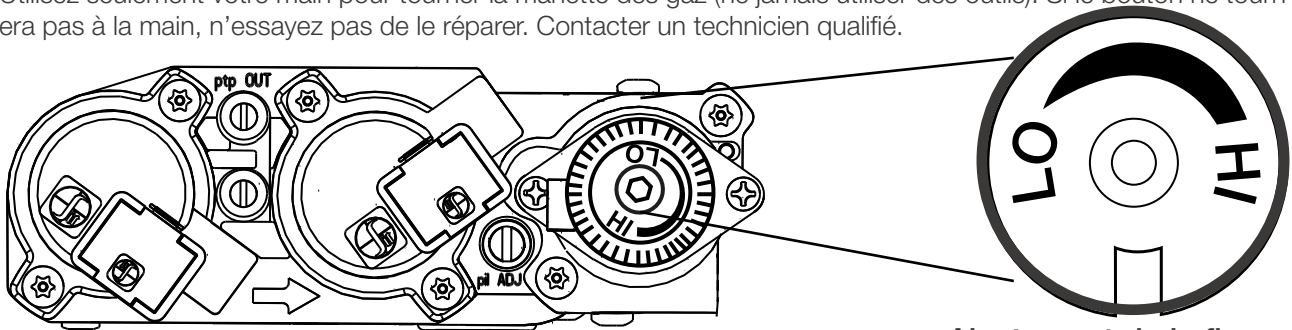


2.4 service de couverture (modèles L seulement)

Il faut seulement des ajustements manuels pour votre cheminée lorsque l'appareil est cool off et complet. Permettre à la barrière de sécurité refroidir avant d'effectuer le réglage.

La série Acies est équipée d'un bouton de commande de gaz manuel (situé sur la vanne) qui ajuste la hauteur de la flamme en fonction de vos préférences. Pour accéder à la manette de gaz, retirer votre barrière de sécurité, contrôle couvercle et porte garniture (voir la section « entretien » pour obtenir des instructions sur la façon de supprimer ces composants).

Utilisez seulement votre main pour tourner la manette des gaz (ne jamais utiliser des outils). Si le bouton ne tournera pas à la main, n'essayez pas de le réparer. Contacter un technicien qualifié.

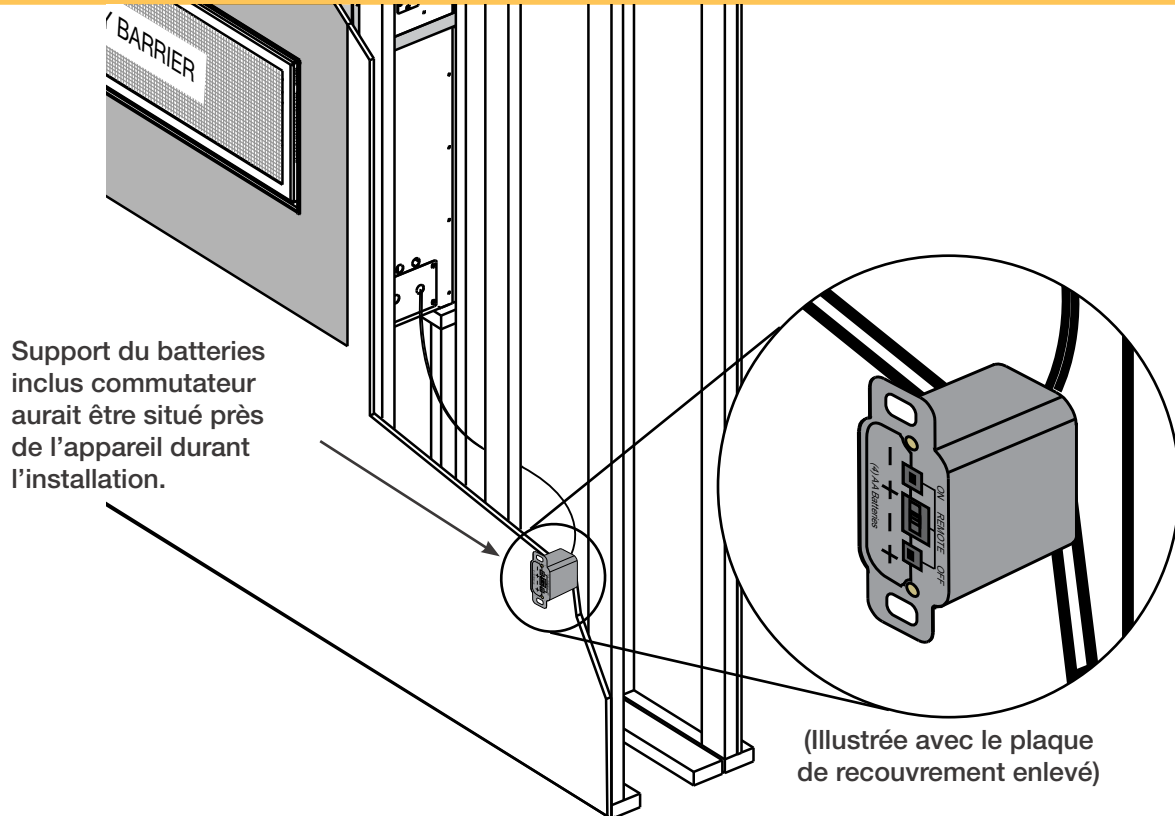


Ajustement de la flamme

2.4.1 changeant les piles dans la télécommande / support du batteries inclus commutateur

⚠ AVERTISSEMENT

- Assurez-vous que l'alimentation électrique et la gaz à l'appareil est éteint.
- Assurez-vous que l'appareil est complètement refroidi avant de commencer service.

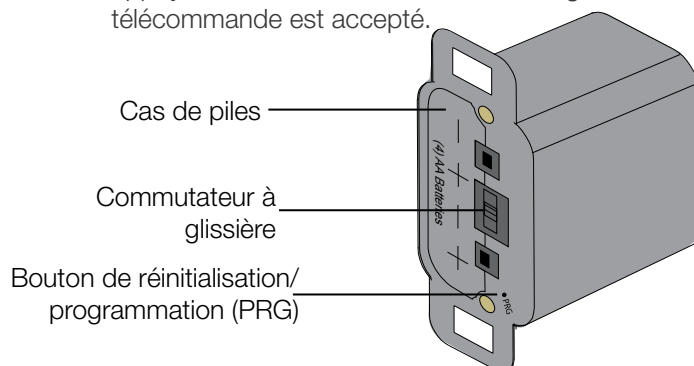


Pour le support du batteries inclus commutateur:

- Enlever les deux vis sécurisant le plaque de recouvrement au support du batteries inclus commutateur. Ne jetez pas.
- Enlever les quatre piles « AA » du support de batteries inclus commutateur et remplacer avec les nouveaux piles (non fournies). Notez la polarité des piles puis insérez-les comme indiqué sur le couvercle (+/-).
- Sécuriser le plaque de recouvrement au support du batteries inclus commutateur utilisant les vis enlever dans l'étape A.

Pour la télécommande:

- Appuyez sur l'attache en arrière de la télécommande pour désengager le couvercle arrière. Enlever les trois piles « AAA » dans la télécommande et remplacer avec les nouveaux piles (non fournies) puis appuyez sur la touche « ON ». Le sauvegarde bloc-piles émettra 4 bips pour indiquer que le signal de la télécommande est accepté.

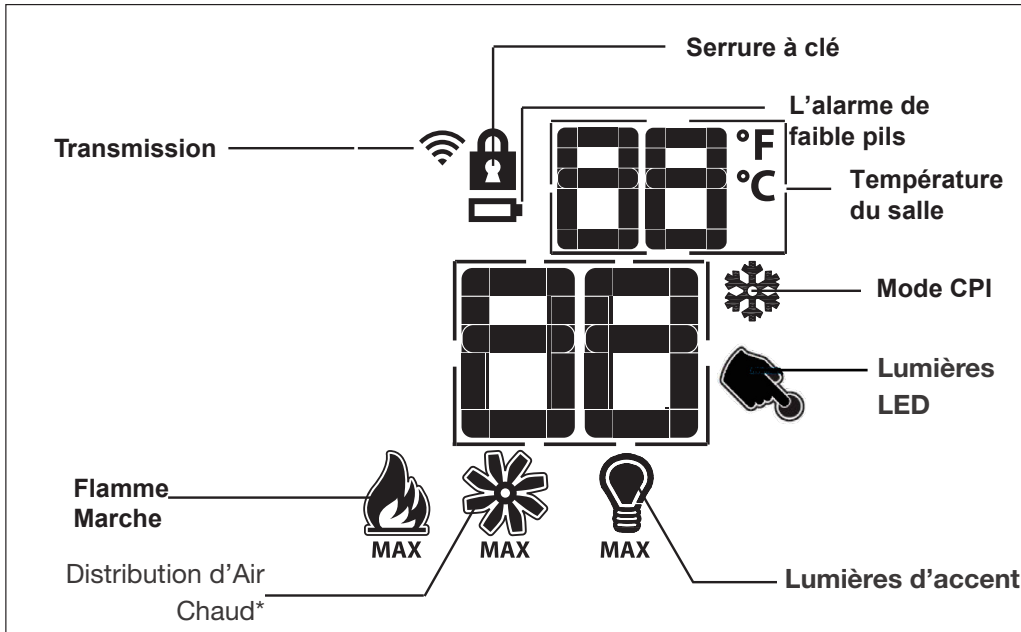


3.0 dessin général de la télécommande

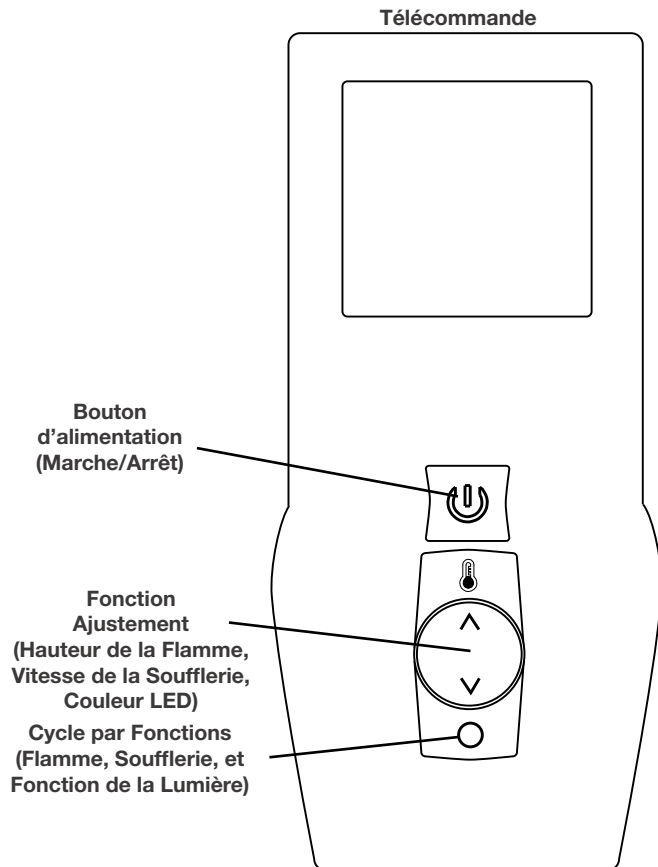
FR

note:

La télécommande est optionnel pour le séries Acies (modèles L).



*Où équipé et où connecté au module du contrôle.



note:

Installez les 3 piles « AAA » dans la télécommande, tel qu'illustré, puis appuyez sur la touche « ON ». Le bloc-piles émettra 4 bips pour indiquer que le signal de la télécommande est accepté.



4.0 fonctionnement de la télécommande (optionnel pour modèles L)

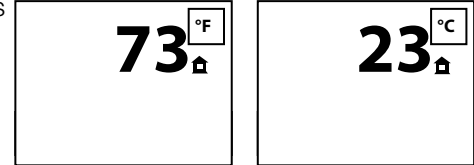
4.1 fonctionnement de la télécommande

- A. Appuyez sur la touche « **on / off** » de la télécommande. L'afficheur de la télécommande affichera toutes les icônes actives à l'écran. Un bip du récepteur confirmera la réception de la commande.



4.2 afficheur de température

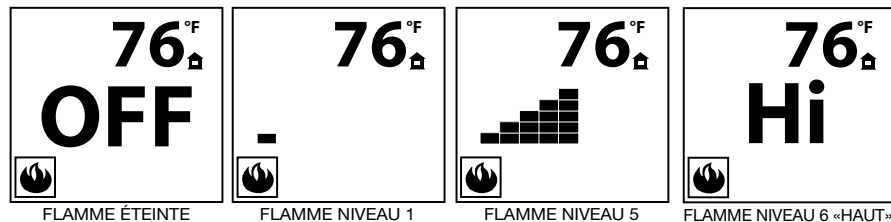
- A. Avec le système en position « **off** », appuyez simultanément sur les touches « **temperature** » et « **mode** » pour passer de l'affichage de la température en F à C.
- B. Vérifiez l'afficheur ACL de la télécommande pour vous assurer que le C ou le F est visible à la droite de l'affichage de la température de la pièce.



4.3 hauteur de la flamme

La télécommande comporte six (6) niveaux de flammes. Avec le système en marche et le niveau de la flamme au maximum, appuyez une fois sur la **touche bas** et cela réduira la hauteur de la flamme d'un niveau jusqu'à ce que la flamme soit éteinte

La **touche haut** augmentera la hauteur de la flamme chaque fois qu'elle est enfoncée. Si la **touche haut** est enfoncée lorsque le système est en marche, mais que la flamme est éteinte, la flamme s'allumera en position élevée. Un seul « bip » confirmera la réception de la commande.



4.4 fonction de sécurité pour enfants

Cette fonction verrouillera les touches pour empêcher une utilisation non supervisée.

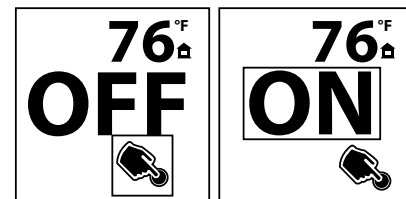
- A. Appuyez simultanément sur les touches « **mode** » et « **haut** ».
- B. Pour désactiver cette fonction, appuyez simultanément sur les touches « **mode** » « **haut** ».



4.5 LEDs

La fonction auxiliaire règle la prise d'alimentation **LEDs qui, à son tour, ajuste la lumière LED.**

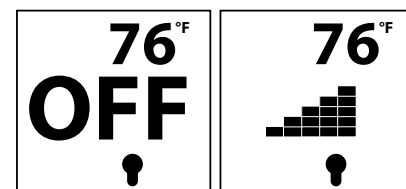
- A. Utilisez la touche « **mode** » pour vous guider vers l'icône « **AUX** ».
- B. Appuyez sur la touche « **haut** » pour activer la lumière de veille.
- C. Appuyez sur le touche « **bas** » pour éteindre la lumière **LED**. Un « bip » unique confirmera la réception de la commande.



4.6 veilleuse gradateur

La fonction auxiliaire contrôle la veilleuse avec le contrôle dimmable.

- A. Utiliser la touche « **mode** » pour vous diriger à l'icône de la veilleuse.
- B. L'intensité de la production peut être ajustée par 6 niveaux. Utiliser les contrôles « **haut/bas** » pour ajuster le niveau de puissance. Un seul « bip » confirmera la réception de l'ordre.



fonctionnement de la télécommande

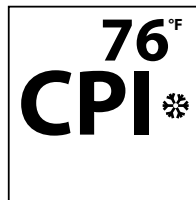
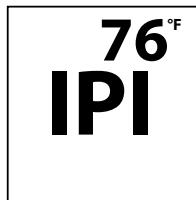
FR

4.7 la sélection pilote continu / pilote intermittent (CPI / IPI)

- Avec la télécommande à la position « **off** », utiliser la touche « **mode** » pour vous diriger à l'icône de mode de CPI.
- Utiliser les contrôles « **haut/bas** » pour changer de mode **IPI à CPI**. Un seul « **bip** » confirmera la réception de la commande.

note:

Si votre appareil est équipé avec un CPI/IPI interrupteur à bascule, régler le CPI/IPI à la position de CPI pour rendre capable l'opération du CPI. Si l'interrupteur est placé à IPI, il fonctionnera seulement en IPI indépendamment du réglage sur la télécommande.



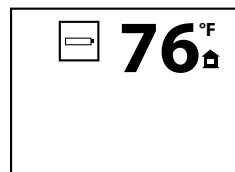
4.8 faible piles / le by-pass manuel

La durée de vie des piles peut dépendre de plusieurs facteurs: la qualité des piles, le nombre d'allumages, le nombre de changements de réglage du thermostat de la télécommande, etc.

Lorsque les piles de la télécommande sont faibles, l'icône de pile apparaîtra sur l'afficheur ACL avant que les piles soient complètement déchargées. Une fois que les piles sont remplacées, cette icône disparaîtra.

Lorsque les piles du récepteur sont faibles, celui-ci n'émettra pas de « **bip** » lorsqu'il recevra une commande « **marche/arrêt** ». Ceci est pour vous signaler que les piles du récepteur sont faibles. Lorsque les piles sont remplacées, le récepteur émettra un « **bip** » lorsque la touche **marche/arrêt** est appuyée.

Si les piles dans le bloc-piles ou dans la télécommande sont faibles, vous pouvez allumer l'appareil manuellement en glissant le commutateur à glissière du bloc-piles à la position « **on** ». Ceci contournera la fonction de la télécommande, et le brûleur principal de l'appareil s'allumera si la soupape de gaz est à la position « **on** ».



4.9 en cas de panne de courant

Si la récepteur est muni de piles, celles-ci permettront au contrôle de la hauteur de la flamme, au bouton « **on/off** » ou au thermostat de contrôler l'appareil, lorsque vous survient une panne électrique. Fonctionnement de la soufflerie et des lumières de veilles n'est pas possible. Référez-vous à la section « **appliance operation** » lorsque les communications entre le récepteur et la télécommande sont rompues. La récepteur émettra un « **bip** » pour confirmer la réussite de la programmation une fois que le courant est rétabli. Si l'appareil était en marche au moment de la panne de courant, la hauteur de la flamme conservera son réglage. Si l'appareil était éteint au moment de la panne, mais qu'il est allumé par la suite, la hauteur de la flamme sera à « **Hi** ». La hauteur de la flamme peut alors être ajustée par la télécommande.

4.10 l'application Contrôleur eFIRE (optionnel pour les modèles L)



L'application contrôleur eFIRE de Napoléon va révolutionner la façon dont vous utilisez votre cheminée. Nous avons déchiffré le code et vous présente les premières cheminées contrôlées par le technologie Bluetooth™, en utilisant une application intuitive sur votre appareil.

Lorsqu'il est entièrement équipé (si applicable), l'application contrôleur eFIRE vous permet de créer toutes les couleurs imaginables, choisir celui qui correspond à votre état d'esprit actuel, ou votre décor en toute simplicité, l'outil roue couleur simplement défile rapidement le spectre de couleur. L'application contrôleur eFIRE de Napoléon contrôle toutes les fonctions de votre foyer, y compris: marche/arrêt, l'hauteur de la flamme et la vitesse du ventilateur.

En suivant les instructions sur le site web <http://napoleonfoyers.com/efire>, installez l'application et appréciez les fonctionnalités de l'app eFIRE.*

*Visitez le site web ou contactez votre détaillant autorisé pour information spécifique à votre appareil concernant les caractéristiques et les produits disponible avec l'application contrôleur eFIRE.

note:

La télécommande est considéré comme la régie centrale de l'appareil et peut toujours être utilisée pour éteindre l'appareil (par exemple, dans le cas où l'utilisateur qui a dfeu contrôleur app était contrôler l'appareil quitte la maison).

4.11 contrôle de lumière LED (modèles LV / LVX seulement)



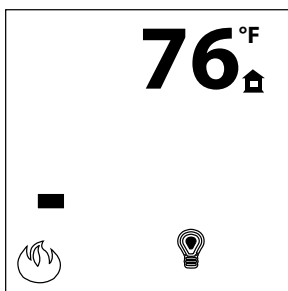
Mode de lumière est **éteint**. **Vous ne pouvez pas** utiliser la fonction de la lumière dans ce mode.



Mode de lumière est **allumé**. **Vous pouvez** utiliser la fonction de lumière dans ce mode.

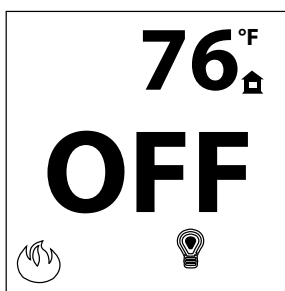
note:
La télécommande doit être en mode de commande pour changer les couleurs.

A. Couleur blanc



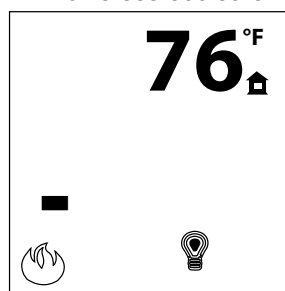
Le fait d'appuyer des lumière bouton en haut "**▲**" tournera sur les LED de lumières. La couleur des lumières quand premièrement initialisé est blanche.

B.



Appuyez sur le bouton de réglage de la fonction d'éclairage "**▼**" pour éteindre les lumières LED.

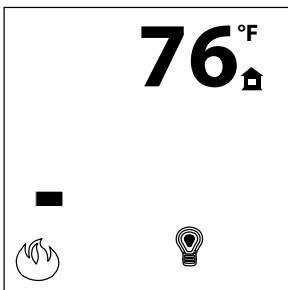
C. Faire défiler diverses couleurs



Le fait d'appuyer des lumières bouton en haut "**▲**" tournera sur les LED de lumières. Cela vont faire fonctionner les couleurs changeants.

note:
Doit être dans les 10 seconds de l'étape A pour que cette fonction marche.

D. Verrouille sur couleur



Pour verrouiller sur l'une des couleurs de roulement. Appuyez sur le bouton de réglage de la lumière fonction vers le bas "**▼**" à la sélection des couleurs. Puis instantanément appuyez sur le bouton jusqu'à "**▲**".

E.



Appuyez sur le bouton de réglage de la fonction d'éclairage "**▼**" pour éteindre les lumières LED.

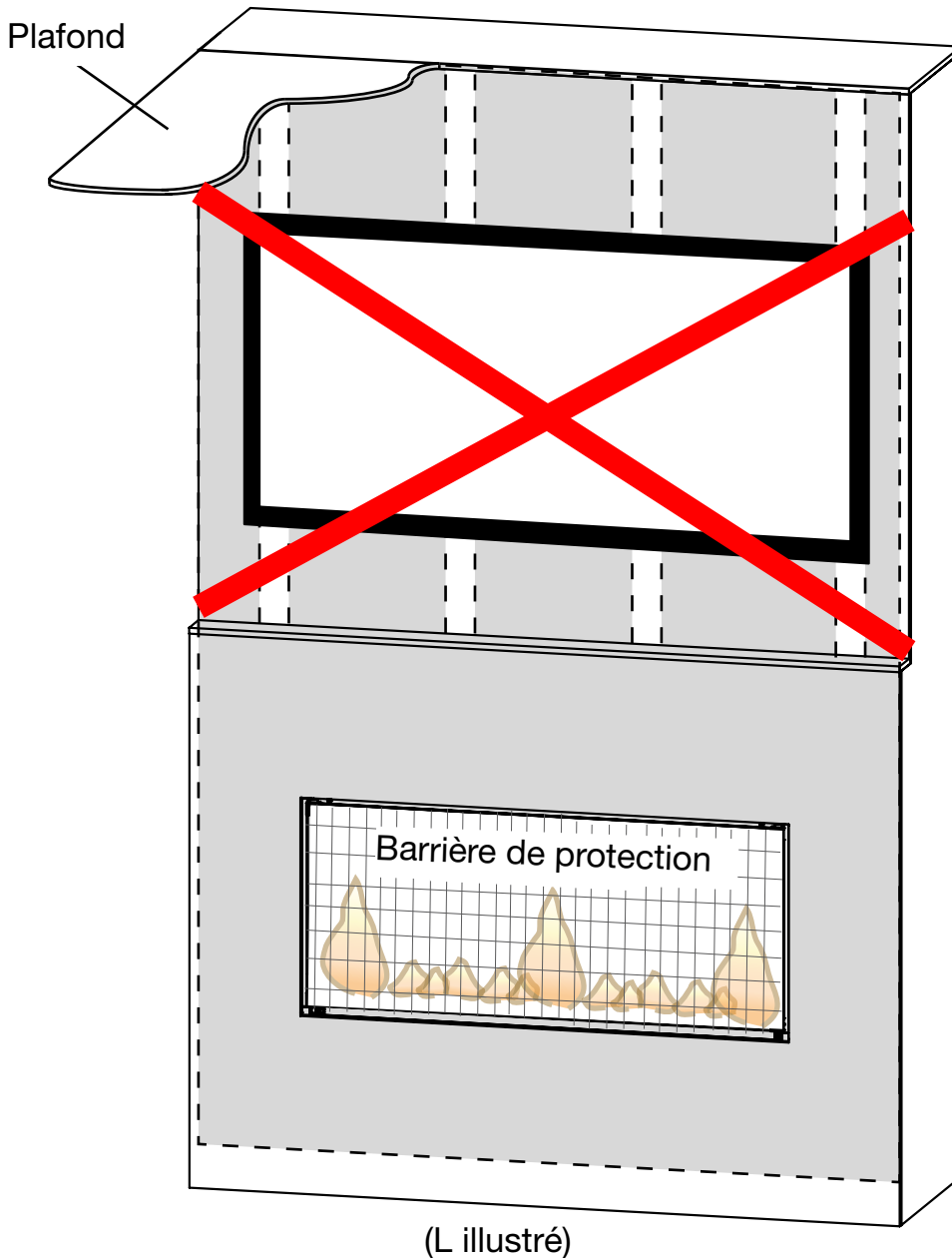
note:
Après que les couleurs sont verrouillées, changeant l'interrupteur à la position d'**off** puis à la position **on**; cela vont faire fonctionner le cycle au début avec la couleur blanche. Si les lumières sont à la position **off** puis mis à la position **on**, le cycle vont commencer au début encore avec la couleur blanche. Pour remettre à l'état initial, à tout moment, tourner l'interrupteur de lumières à la position **off** pour une minimum de 10 secondes.

5.0 dégagements autour de l'appareil

FR

AVERTISSEMENT

- **Le système de Dynamic Heat Control™ n'est pas disponible pour aucun appareil du série Acies (L modèles).** Ne suivez **pas** les instructions fournies dans le section « Dynamic Heat Control™ (LV optionnel / LVX includ) » si vous avez un modèle L. Consultez votre manuel d'installation ou votre détaillant agréé pour plus d'information.
- Votre appareil, raccordement gaz/électrique, ventilation et divers composants clés sont cachés derrière le mur. Il est essentiel qu'aucune vis pénètrent dans les zones ci-dessous. Non-respect des instructions peut provoquer un fonctionnement incorrect, dommages, blessures ou feu. Utilisez toujours un localisateur de montants et seulement visser dans les montants.




Les températures au-dessus de la cheminée pour les modèles L sera chauds, rendant impropres pour le montage d'un téléviseur ou autres objets sensibles à la chaleur au-dessus de la cheminée sans risques de dommages.

Installation d'un manteau de cheminée entre cet appareil et électronique ou d'autres matériaux qui peut-être être sensibles à la chaleur réduira l'effet de la chaleur directe sur eux.

La taille et le matériel du manteau affecteront le jeu autorisé au-dessus de votre cheminée et un positionnement incorrect pourrait devenir un risque d'incendie. Consultez votre revendeur d'autorisé et/ou manuel d'installation pour plus d'informations.

Votre cheminée, de branchements gaz/électriques et de ventilation sont cachés derrière le mur fini. Il faut en grand pour éviter de visser ou clouer dans ces composants. Utilisez toujours un localisateur de montants pour déterminer l'emplacement des montants et seulement visser dans les montants.

Ne pas visser dans les environs de l'ouverture du foyer.

 Pas de vis dans cet espace.

(Restriction des vis s'appliquent **TOUT** chaque modèles.)

important:

En cas de doute, référez-vous à votre manuel d'installation et/ou contactez votre détaillant agréé.

5.1 Dynamic Heat Control™ (LV optionnel / LVX inclus)

! AVERTISSEMENT

- Lorsqu'il est équipé avec DHC, votre appareil, conduits d'évacuation et divers composants clés sont cachés derrière le mur. Il est essentiel qu'aucune vis pénètrent dans les zones ci-dessous. Non-respect des instructions peut provoquer un fonctionnement incorrect, dommages, blessures ou feu.



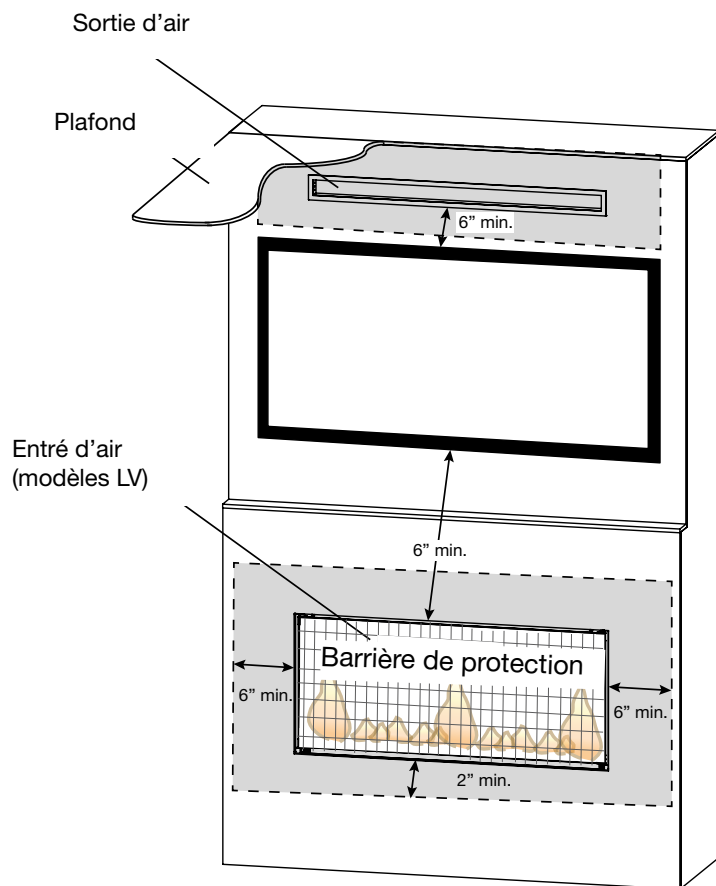
BRÉVET DÉPOSÉ

Dynamic Heat Control™ est un système de gestion de la chaleur produite par l'appareil à et autour de la cheminée d'ouverture. Le Dynamic Heat Control™ vise à déplacer la chaleur du foyer pour lui permettre de diffuser plus efficacement au sein de l'espace de vie. En installant le Dynamic Heat Control™, vous gagne des avantages considérables :

- Chaleur est distribuée plus uniformément tout au long de l'espace de vie augmentant confort devant le foyer.
- Augmente l'efficacité réelle chaleur est déplacé dans la salle plutôt que conservé à l'intérieur de l'enceinte.
- Flexibilité totale dans le choix des matériaux de finition.
- Possibilité de placer un téléviseur, la barre de son ou l'oeuvre au-dessus de la cheminée.

note:

Le système de Dynamic Heat Control™ devrait être installés avec votre appareil. Il n'est pas pratique comme une mise à niveau après que l'installation et la finition sont terminées. Le système de Dynamic Heat Control™ n'est pas disponible pour la série Acies (modèles L).



LV illustré avec DHC optionnel

IL FAUT

- Visser dans les montants (voir la section « dégagements autour de l'appareil »).
- Maintenir au moins les dégagements minimaux illustrés.

IL NE FAUT PAS

- Place les objets trop près de la sortie d'air.
- Place les objets trop près de l'entrée d'air.
- Visser sur l'appareil.

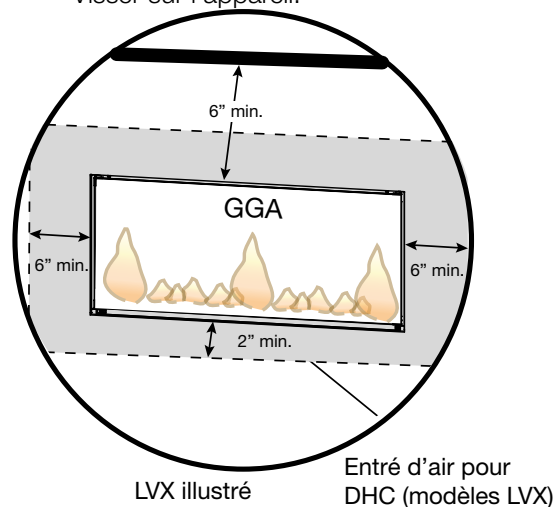


Image non à l'échelle.

6.0 entretien

FR

AVERTISSEMENT

- Coupez l'alimentation en gaz et l'alimentation électrique avant de procéder à l'entretien de l'appareil.
- L'appareil peut être chaud. Attendez qu'il soit refroidi avant d'en faire l'entretien.
Pour les techniciens qualifiés seulement:
- Lors de l'entretien des contrôles, assurez-vous d'identifier chacun des fils avant de les débrancher. Une réinstallation incorrecte des fils peut occasionner un mauvais fonctionnement et être dangereuse.
- Cet appareil et son système d'évacuation devraient être inspectés avant la première utilisation et au moins une fois l'an par un technicien service qualifié.
- Les apports d'air comburant et d'air de convection ne doivent pas être obstrués.

IL FAUT

- Nettoyer votre barrière de protection (**modèles L et LV seulement**) or glass guard assembly (**modèles LVX seulement**) régulièrement pour prévenir les peluches/poussières provenant des tapis, des animaux, etc/. Il suffit de passer l'aspirateur à l'aide de l'embout avec une brosse.
- Toujours utiliser des nettoyeurs à vitres sans ammoniac.
- Nécessiter un entretien qui devra être effectué sur une base annuelle. L'entretien doit être conduit par un technicien qualifié.
- Laisser l'espace entourant l'appareil propre et libre de matériaux combustibles, d'essence ou autres liquides et vapeurs inflammables.
- Vérifiez si le brûleur allume sur tous les orifices lorsque l'appareil marche. Un temps d'allumage total de 5 à 10 seconds est satisfaisant. Service selon les besoins.

IL NE FAUT PAS

- Essayez d'entretenir l'électrique ou des composants de gaz. Contacter un technicien qualifié.
- Utiliser une force excessive.
- Utiliser de nettoyeurs abrasifs sur verre.
- Peinturez l'ensemble du pilote.
- Placer pas les objets trop près de l'ouverture de la cheminée (**tous les modèles**) ou d'entrée et de sortie d'air (**modèles LV équip avec le DHC optionnel ou les modèles LVX**).

note:

Pour toute question ou des préoccupations au sujet de votre appareil, l'entretien et le service, contacter votre détaillant agréé.

6.1 soins de la vitre

! AVERTISSEMENT

- Nettoyer pas la vitre lorsqu'elle est chaude! N'employez pas de détergents abrasifs pour nettoyer la vitre.

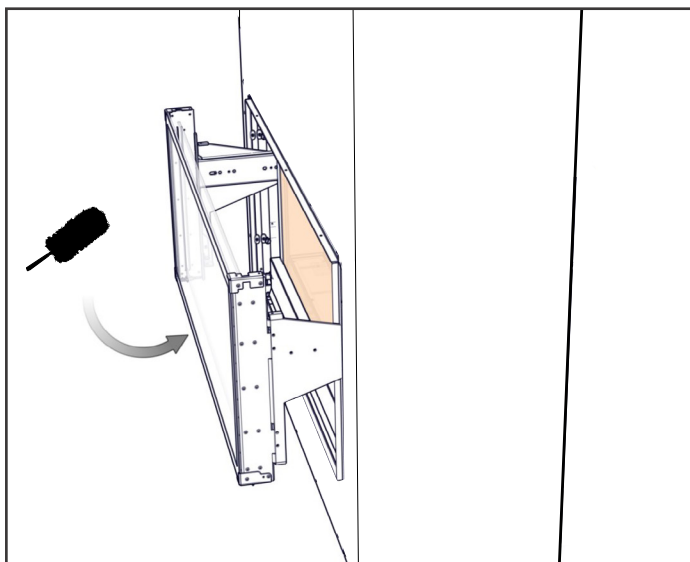
important:

Le GGA comprend deux morceaux de verre, dont une est flottant. Prenez garde de ne jamais soulever la GGA retourné ou le morceau flottant de verre peut se détacher et peut briser. Toujours manipuler le GGA avec les crochets de montage vers le bas. Si le morceau flottant de verre avez besoin d'être enlevé (pas recommandé pour l'installation, d'entretien ou de nettoyage), la face avant doit être marquée avant le retrait. Le verre flottant du GGA comprend des revêtements de verre spécial de l'usine et le verre peut être installé uniquement un moyen de contourner. Toujours remonter la pièce de verre flottant dans la même direction, comme il a été supprimé ou la performance du produit sera compromise.



L'ensemble du Protection de Verre (modèles LVX seulement) :

- Désengager l'ensemble de protection du verre (GGA) et soigneusement glissez l'ensemble complètement hors de l'appareil, voir la section «enlevant votre GGA (modèles LVX seulement) ».
- Utilisez un plumeau ou un chiffon pour nettoyer l'arrière et entre les deux vitres avant.
- Nettoyer la vitre arrière intérieure.
- Pour nettoyer la porte vitrée, enlever le GGA complètement, voir la section «enlevant votre GGA (modèles LVX seulement) » et suivez les instructions dessous.



Porte vitré du chambre de combustion:

Polissez légèrement à l'aide d'un linge propre et sec pour enlever la poussière et les traces de doigts. Nettoyez les deux côtés de la vitre avec un nettoyant recommandé après les dix premières heures de fonctionnement.

note:

Les nettoyants à base de vinaigre ou sans ammoniacque procurent habituellement une surface propre et sans traces.

Par la suite, nettoyez aussi souvent qu'il le faudra, sinon la vitre risque de rester marquée en permanence.

Ne touchez pas la surface intérieure de la vitre avec des lames de rasoir, de la laine d'acier ou d'autres objets métalliques puisque la mince couche de métal retirée de l'objet pourrait se déposer sur le revêtement causant une décoloration ou une égratignure. Plus important encore, cela peut rayer la surface du verre réduisant ainsi sa puissance.

Ne pas faire fonctionner l'appareil avec la vitre brisée, les fuites de gaz de combustion peut résulter.

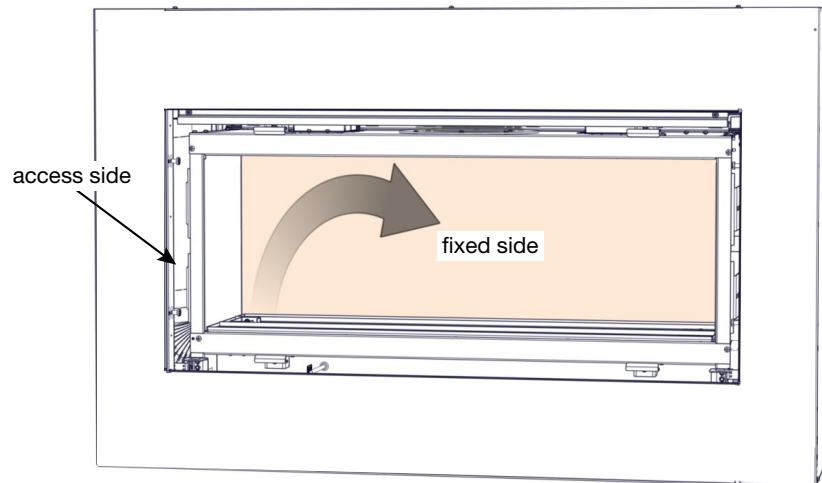
Contactez votre détaillant local autorisé pour les instructions de nettoyage complètes.

Si la vitre devait fissurer pendant que le feu brûle, n'ouvrez pas la porte jusqu'à ce que le feu s'éteigne et n'utilisez pas l'appareil jusqu'à ce que la vitre ait été remplacée par une nouvelle, disponible chez votre détaillant autorisé. **N'UTILISEZ PAS DE MATÉRIAUX SUBSTITUTS.**

Ensemble de verre/cadre de remplacement est remplacé comme une unité complète telle que fournie par le fabricant de l'appareil.

L'appareil est muni d'une vitre en verre trempé (L modèles seulement) / verre céramique (LV / LVX modèles seulement). Remplacez uniquement avec une vitre certifiée pour le foyer disponible chez votre détaillant autorisé. **N'UTILISEZ PAS DE MATÉRIAUX SUBSTITUTS.**

POUR LES MODÈLES DE SEE-THRU, RÉPÉTEZ LES ÉTAPES CI-DESSUS SUR LA PARTIE FIXE. POUR NETTOYER LA FACE INTERNE DE LA PORTE VITRÉE SUR LE CÔTÉ FIXE, PASSENT PAR LA PORTE LATÉRALE D'ACCÈS ET NETTOYER AU BESOIN.



6.2 soins des pièces plaquées

Si l'appareil est muni de pièces plaquées, vous devez enlever toutes traces de doigts ou autres marques des surfaces plaquées avant d'allumer l'appareil pour la première fois. Utilisez un nettoyant à vitre ou du vinaigre et un linge pour nettoyer. Si la surface plaquée n'est pas bien nettoyée avant le premier allumage de l'appareil, elle risque de rester marquée en permanence. Une fois que la surface plaquée aura chauffé, les traces de doigts et le gras n'affecteront plus la surface et très peu d'entretien sera requis; vous n'aurez qu'à l'essuyer au besoin. Une combustion prolongée à haute température avec la porte ouverte peut causer une décoloration des pièces plaquées.

note:

L'emballage de protection sur les pièces plaquées s'enlève mieux lorsque l'assemblage est à température ambiante ou lorsqu'il est chauffé avec un séchoir à cheveux ou une autre source de chaleur similaire.

6.1

6.3 enlèvement / installation de l'ensemble du protection de verre (GGA) (modèles LVX seulement)

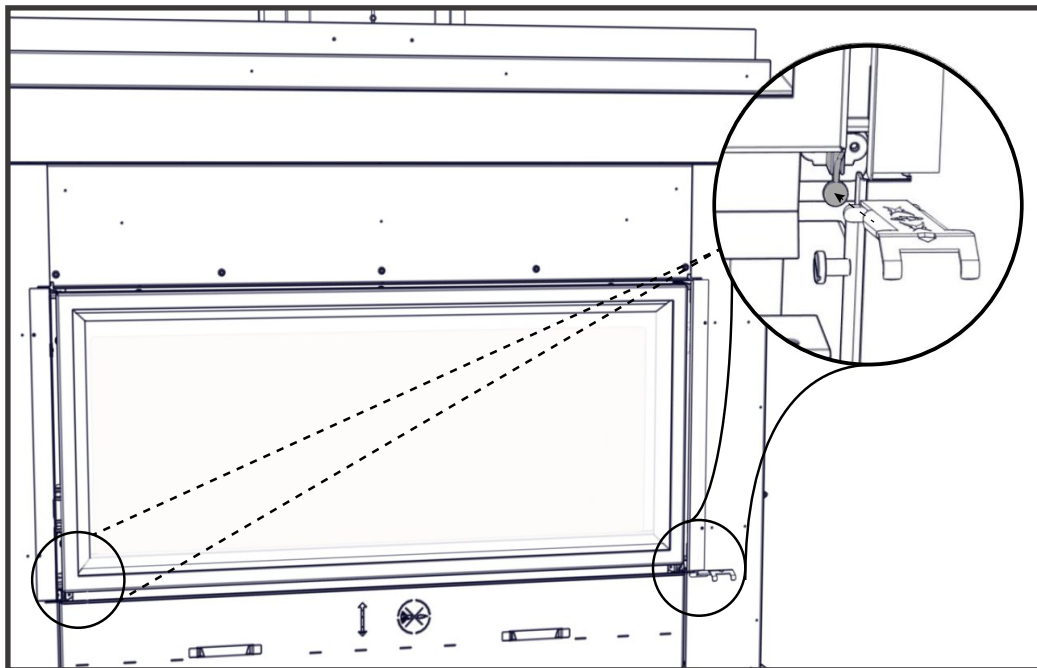
! AVERTISSEMENT

- Permettre à appareil et verre refroidir complètement avant de continuer.

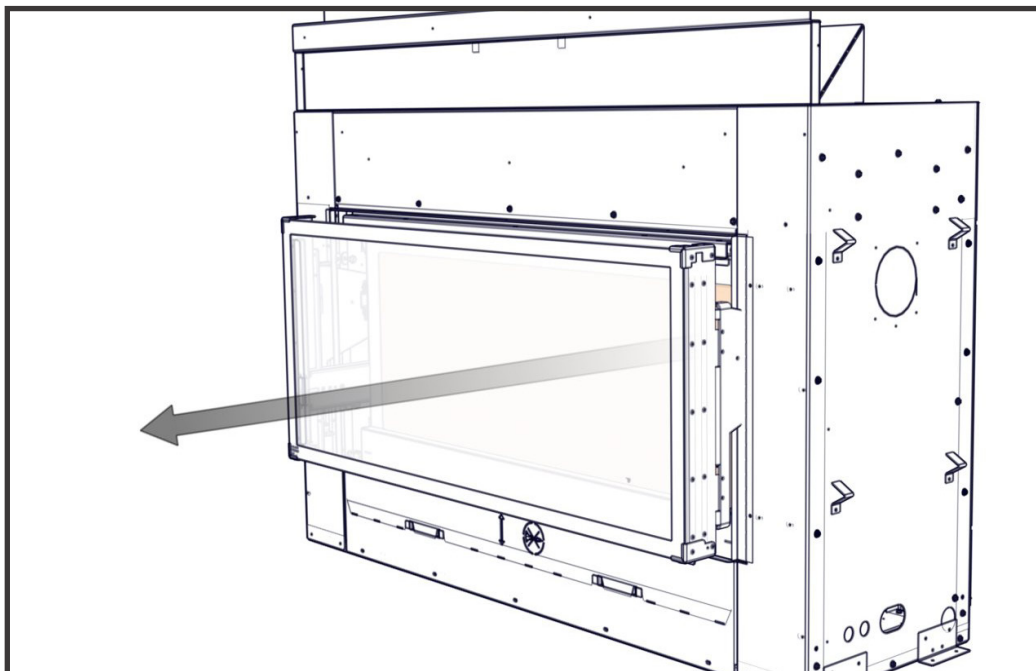
important:

L'ensemble de protection de verre (GGA) installation / enlèvement aura besoins de 2 personnes.

6.3.1 enlevant votre GGA (modèles LVX seulement)



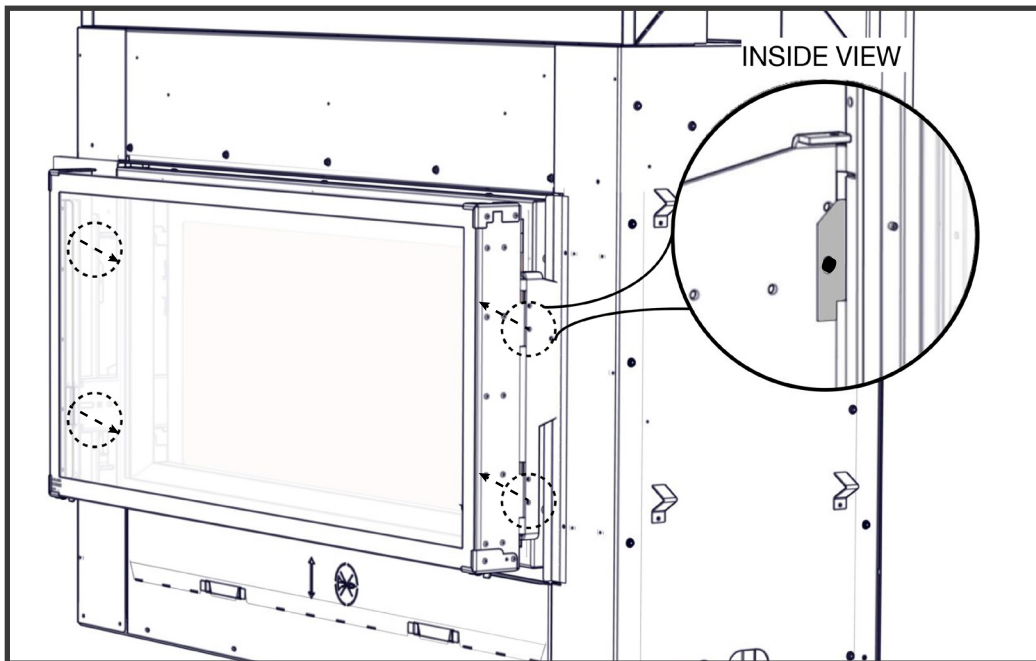
1. Pour ouvrir, libérez les attaches de sécurité de la GGA à l'aide de l'outil de libération. Poussez l'outil de libération contre le fond de l'attache de sécurité jusqu'à ce qu'il se désengage de GGA. Tirez doucement sur le GGA tout en libérant le verrou de l'attache de sécurité.



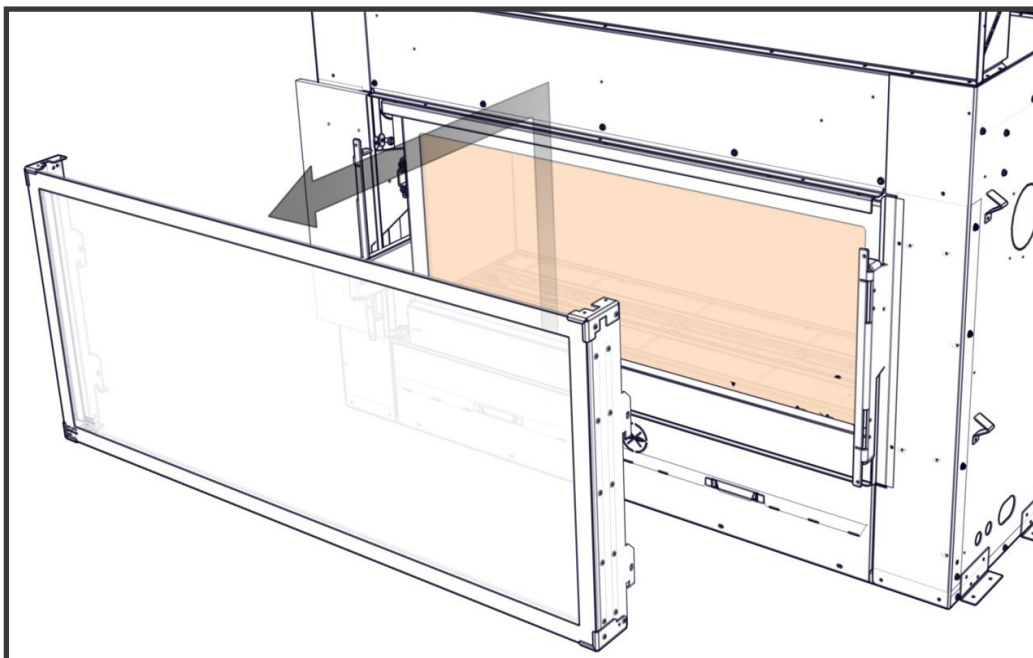
2. Tirez sur les deux côtés du GGA en gardant le GGA parallèle à l'appareil.

note:

Pour nettoyer votre GGA, voir la section « soins de la vitre » pour les instructions de nettoyage pour l'Ensemble du Protection de Verre (modèles LVX seulement).



3. Retirez les vis et rondelles de fixation du GGA pour les supports de porte (1 par coin).



4. Soulever délicatement le GGA vers le haut et sur les supports de porte (2 par côté). Placer l'ensemble sur une surface propre et douce. Il faut prendre soin pour protéger les bords du verre et de ne pas déloger la vitre intermédiaire de flottant.

6.3.2 installant votre GGA (modèles LVX seulement)

! AVERTISSEMENT

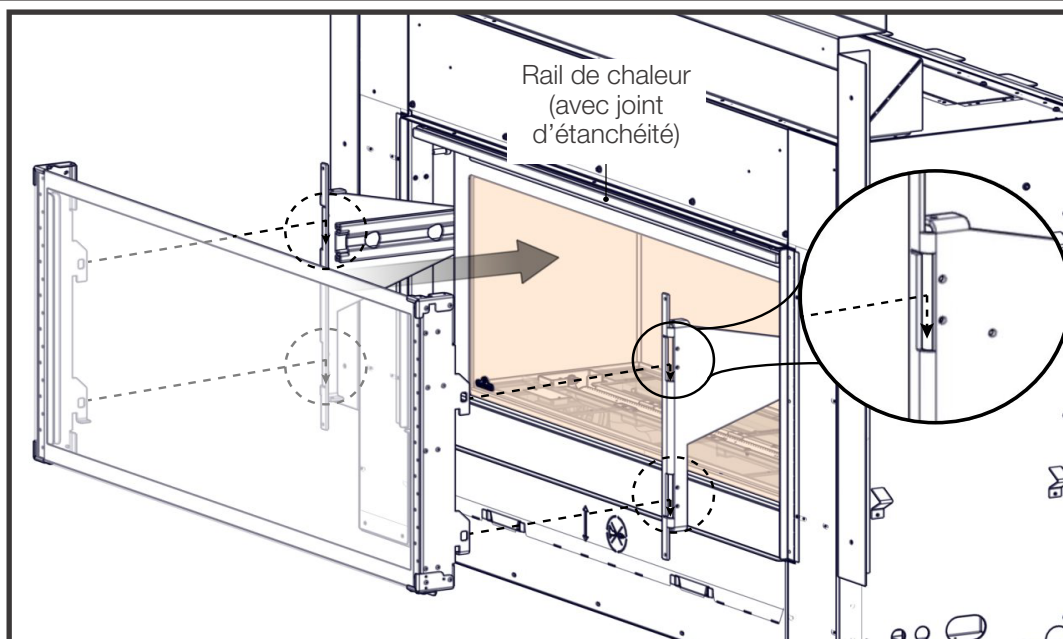
- Laissez l'appareil refroidir complètement avant de continuer.

note:

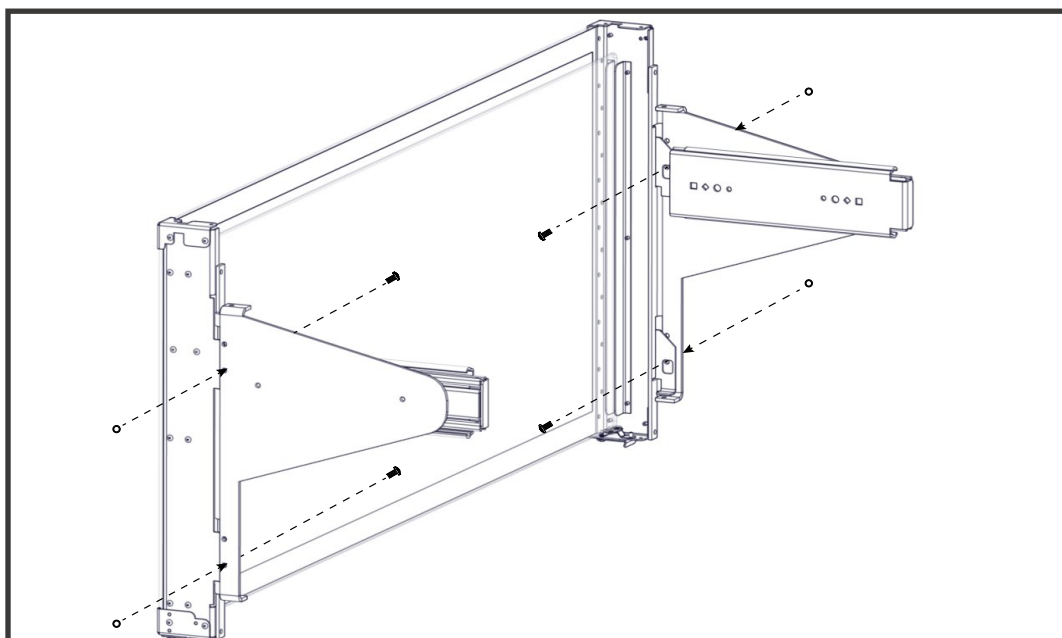
Si nécessaire, enlever la garniture de porte peut faciliter datez GGA. Réinstaller la garniture de porte lorsque vous avez terminé.

important:

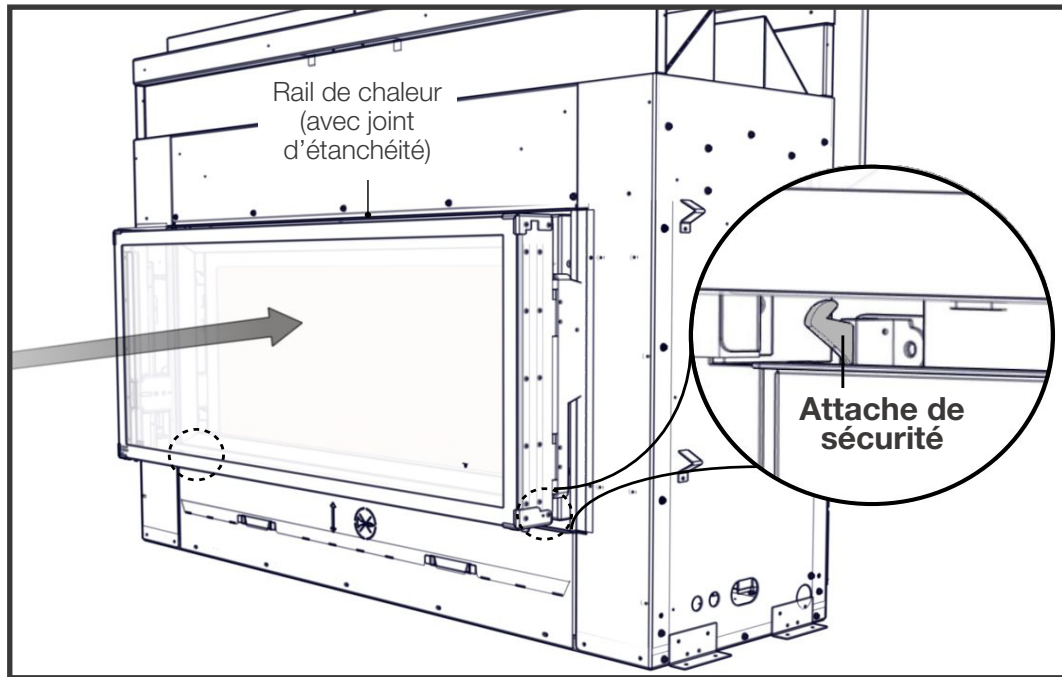
La GGA est livré avec 6 vis qui fournissent légère montée / descente et inclinez ajustement afin d'aligner le verre pour matériaux de finition. Si la partie supérieure de votre GGA n'affleure pas sur le rail de chaleur (avec joint d'étanchéité) sur les deux extrémités et/ou nécessite un réglage, veuillez contacter votre détaillant agréé.



- Étendre complètement les supports de montage de porte de l'appareil. Placer GGA soigneusement sur les supports.



- Maintenir les supports serré contre GGA et installer à l'aide de 4 vis et rondelles (fournies).



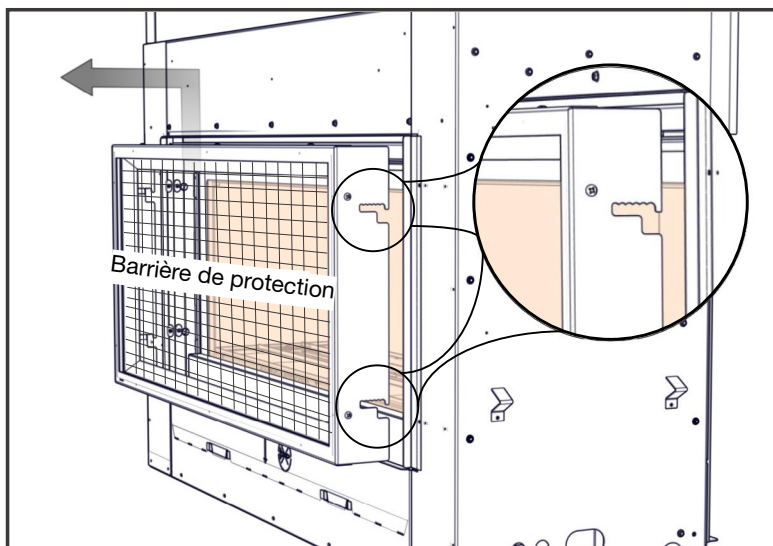
3. Glissez GGA dans l'appareil jusqu'à la paroi vitrée extérieure entre en contact avec le joint d'étanchéité supérieur. GGA sera « cliquez » dans les attaches de sécurité lorsque secure. Si GGA ne s'engage pas avec les attaches de sécurité, un réglage peut être nécessaire. Avant d'essayer un ajustement, vérifier que la GGA a été scellé complètement lors de réinstallation. L'ajustement aurait été fait durant l'installation. Si l'ajustement est requis, contactez votre détaillant ou technicien autorisé.
4. Desserrer les vis et faire glisser en direction de s'assurer que l'attache de sécurité est engagée alors que GGA est en contact avec le joint d'étanchéité supérieur.

6.4 enlèvement de la barrière de protection (modèles L / LV seulement)

! AVERTISSEMENT

- Laissez l'appareil refroidir complètement avant de continuer.

- A. Soulever la barrière de protection vers le haut et hors de l'appareil pour désengager des 4 crochets. Inverser ces étapes pour installer.

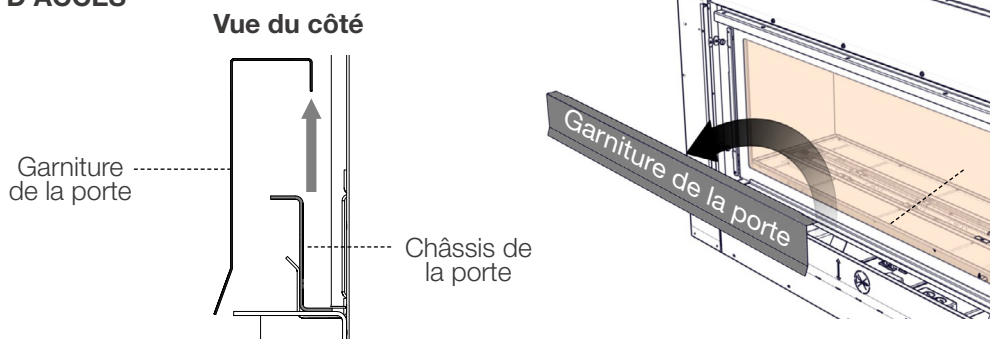


6.5 enlèvement de la garniture de la porte

! AVERTISSEMENT

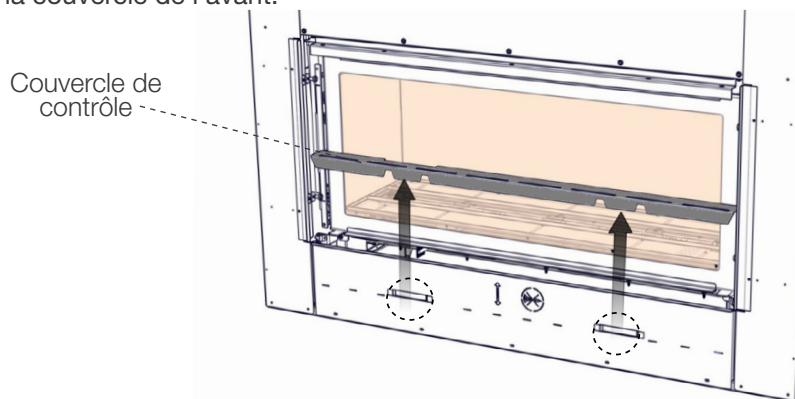
- N'insère pas les doigts dans l'écart entre la porte et l'ossature, il y a un risque de blessure en raison du mécanisme bondié.

FACE - CÔTÉ D'ACCÈS



LV38-1 Illustrée

- A. Enlever la garniture de la porte en soigneusement soulevez-la hors du châssis inférieure de la porte.
- B. Enlever la couvercle de contrôle de l'appareil en le faisant coulisser vers le haut hors des attaches de la couvercle de l'avant.



6.7 enlèvement de la porte

- A. Pour l'enlèvement de la porte, localiser les loquets de porte. Tirer vers l'avant et à l'écart pour dégager les loquets de la porte.

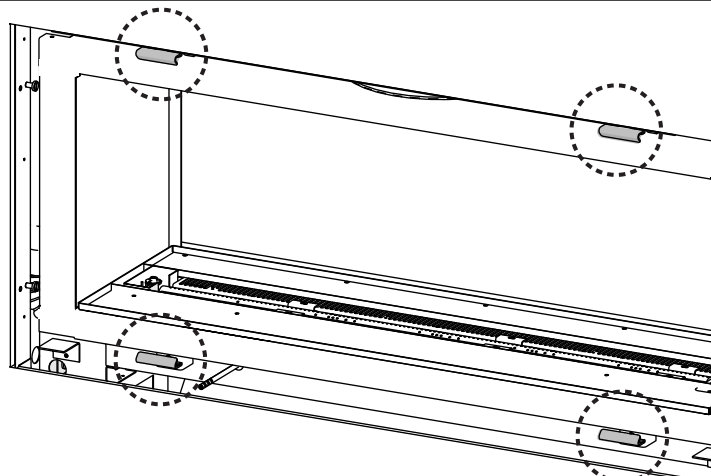
note:

Assurez-vous à laisser l'autre main sur la porte vitrée lors de l'enlèvement de la porte.

- B. Pivotez le haut de la porte vers l'avant jusqu'à ce que vous puissiez saisir les côtés. Soulevez la porte hors des loquets de porte.
- C. Inverser ces étapes pour réinstallez la porte, assurez-vous que les quatre loquets supérieure et les quatre loquets inférieure sont bien engagés avant de relâcher.

note:

Assurez-vous que la porte ouvre et ferme librement scellé.



LV38-1 Illustré

IMPORTANT: Une fois que les loquets sont engagés, test pour assurer que la porte est en place et ne tombera pas.

ARRIÈRE - CÔTÉ FIXE (VOIR À TRAVERS SEULEMENT)

note:

La porte latérale fixe fonctionne comme un système étanche, c'est un élément essentiel du fonctionnement de votre appareil. Cela ne doit être retiré que par un installateur qualifié.

Voir-à travers les modèles ont une porte fixe qui n'est pas nécessaire d'enlever par le propriétaire. La surface intérieure de la chambre de combustion, verre (fixé côté) peut être nettoyée de l'accès côté (voir « soins de la vitre » section).

6.6 interrupteur contre la condensation

Les modèles L sont équipés standard avec un interrupteur contre la condensation. Les modèles LV / LVX ont la possibilité de passer d'un allumage électronique intermittent à une veilleuse permanente pour les climats froids. Le contrôle contre la condensation (veilleuse permanente) est situé à la gauche du panneau de contrôle. Avec votre doigt, appuyez sur l'interrupteur vers le haut pour la veilleuse permanente, ou vers le bas pour l'allumage intermittent.

Tourner l'interrupteur sur ACS permettra à la flamme de la veilleuse à bruler en continu. Ce mode permet de minimiser la condensation qui se forme sur la face intérieure de la vitre lorsque le brûleur principal est tout d'abord mis sous tension Il aidera également la cheminée et le système de ventilation à stabiliser plus rapidement pendant les mois froids de l'hiver.

Au cours de l'hiver plus chaud et la saison estivale, le commutateur ACS doit être éteint pour minimiser la consommation de carburant.

AVERTISSEMENT

- Omettre de positionner les pièces conformément à ce manuel ou d'utiliser uniquement des pièces spécifiquement approuvées pour cet appareil peut causer des dommages matériels ou des blessures corporelles.

Contactez votre détaillant pour les questions concernant les prix et la disponibilité des pièces de remplacement. Normalement, toutes les pièces peuvent être commandées chez votre détaillant autorisé.

Pour un remplacement de pièce sous garantie, une photocopie de la facture originale sera requise afin de pouvoir honorer la demande.

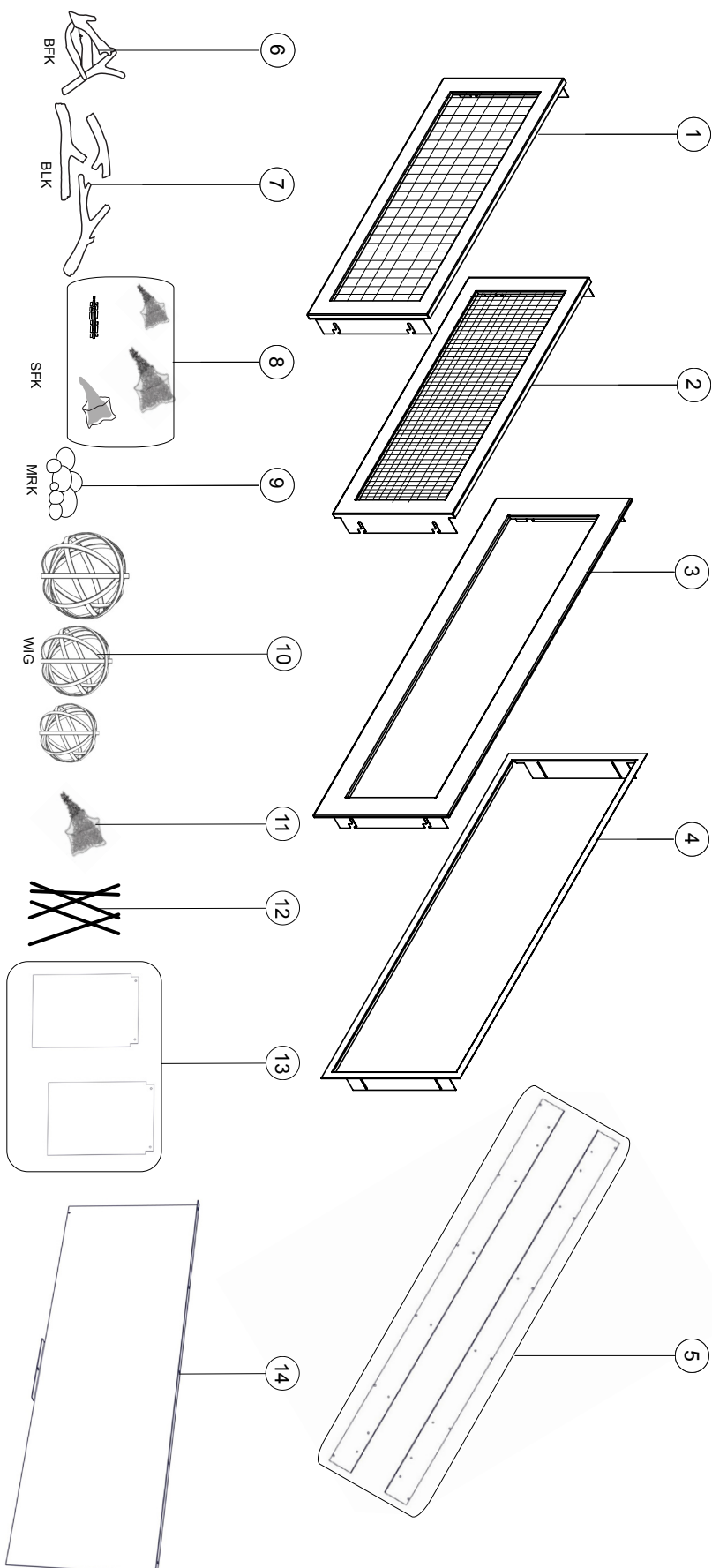
Lorsque vous commandez des pièces, donnez toujours l'information suivante:

- Modèle et numéro de série de l'appareil
- Date d'installation de l'appareil
- Numéro de la pièce
- Description de la pièce
- Fini

Pour les pièces de rechanges d'entretien, voir le manuel d'installation.

8.0 accessoires

Réf. #	Description	N° de pièce										En Stock		
		L38	L50	LV38-1	LV50-2	LV62	LV74	LVX38	LVX50	LVX62	LVX74			
1	Barrière de Protection Standard (Acier Inoxydable)	SSB38SSS	SSB50SSS	N/A	N/A	N/A	N/A	N/A	N/A	N/A	N/A	N/A	N/A	Oui
2	Barrière de Protection Prime (Acier Inoxydable)	PSB38SSS	PSB50SSS	PSB38SSS	PSB50SSS	PSB62SSS	PSB74SSS	N/A	N/A	N/A	N/A	N/A	N/A	Oui
2	Barrière de Protection Prime (Noir)	PSB38K	PSB50K	Standard	Standard	Standard	Standard	N/A	N/A	N/A	N/A	N/A	N/A	Oui
3	Contour (Acier Inoxydable)	SFL38SS	SLF50SSS	SLF38SSS	SLF50SSS	N/A	N/A	N/A	N/A	N/A	N/A	N/A	N/A	Oui
3	Contour (Noir)	SLF38K	SLF50K	SLF38K	SLF50K	N/A	N/A	N/A	N/A	N/A	N/A	N/A	N/A	Oui
4	Garniture de Finition (Acier Inoxydable)	FT38SS	FT50SSS	FT38SSS	FT50SSS	N/A	N/A	N/A	N/A	N/A	N/A	N/A	N/A	Oui
4	Garniture de Finition (Noir)	FT38K	FT50K	FT38K	FT50K	N/A	N/A	N/A	N/A	N/A	N/A	N/A	N/A	Oui
5	Plateau d'Ensemble Décoratif	EMT38	EMT50	EMT38	EMT50	Standard	Standard	Standard	Standard	Standard	Standard	Standard	Standard	Oui
6	Ensemble Beach Fire	BFKM	BFKM	BFKM	BFKM	BFKXL	BFKXL	BFKS	BFKM	BFKXL	BFKXL	BFKXL	BFKXL	Oui
7	Ensemble de Bûches de Bouleau	BLKS	BLKM	BLKS	BLKM	BLKL	BLKXL	BLKS	BLKM	BLKL	BLKXL	BLKXL	BLKXL	Oui
8	Ensemble Shore Fire	SFKM	SFKM	SFKM	SFKM	SFKL	SFKL	SFKS	SFKM	SFKL	SFKL	SFKL	SFKL	Oui
9	Ensemble de Roches Minéral	MRKS	MRKM	MRKS	MRKM	MRKL	MRKXL	MRKS	MRKM	MRKL	MRKXL	MRKXL	MRKXL	Oui
10	Wrought Iron Globe Kit	WIGM	WIGM	WIGM	WIGM	WIGL	WIGL	WIGM	WIGM	WIGL	WIGL	WIGL	WIGL	Oui
11	Perles de Verre	MKB_	MKB_	MKB_	MKB_	MKB_	MKB_	MKB_	MKB_	MKB_	MKB_	MKB_	MKB_	Oui
12	Nickel Stix	LDNS	LDNS	LDNS	LDNS	LDNS	LDNS	LDNS	LDNS	LDNS	LDNS	LDNS	LDNS	Oui
13	Panneaux Porcelain de Fin	PRPE	PRPE	Standard	Standard	Standard	Standard	Standard	Standard	Standard	Standard	Standard	Standard	Oui
14	Panneau Porcelain (Arrière)	PPPL38	PPPL50	Standard	Standard	Standard	Standard	Standard	Standard	Standard	Standard	Standard	Standard	Oui



Ces articles peut différer de celle illustré.

important:

Seuls les accessoires spécifiques à votre appareil peuvent être installés. L'utilisation d'autres accessoires peut entraîner une mauvaise utilisation de l'appareil. Contactez votre revendeur agréé de Napoléon pour obtenir une liste d'accessoires adaptés à votre appareil. Visitez le site de Napoléon pour plus d'informations au sujet de votre appareil.

9.0 guide de dépannage

FR

symptôme	problème	solution
La flamme du brûleur est bleue, parasiteuse et transparente.	Système d'évacuation bloqué.	- Enlevez ce qui obstrue. Dans des conditions de froid extrême, une accumulation de glace peut se former sur la terminaison et devrait être enlevé lorsque nécessaire.
Formes de film blanc / gris.	Teneur en soufre du combustible-est étant déposé sur les surfaces en verre, bûches, ou chambre de combustion	- Nettoyez la vitre avec un nettoyeur pour vitres de cheminée gaz recommandée. NE PAS NETTOYER VERRE LORSQUE CHAUD. - Si les dépôts ne sont pas nettoyés régulièrement, le verre peut devenir définitivement marqué.
Gaz d'échappement se sentait dans la salle, maux de tête.	Appareil est renversant. (Ce n'est pas applicable dans les appareils extérieurs)	- Mettez hors tension de l'appareil. Contacter un technicien.
Pilote ne s'allume pas. Fait du bruit avec aucune étincelle à veilleuse	Aucun signal à distance avec aucun pilote allumage	- Reprogrammer le code du récepteur. - Remplacer le récepteur.
Étincelle à la veilleuse mais celle-ci ne s'allume pas.	Alimentation en gaz.	- Vérifiez si la soupape à bille du conduite d'arrivée du gaz est « ouverte ».
	Plus de propane.	- Remplir le réservoir.
	Récepteur (si équipé).	- Réinitialisez la programme: tenir le bouton de réinitialiser sur le récepteur attendre pour 2 bips. Relâcher le bouton après la deuxième bip. Pendant 20 secondes, appuyez sur le bouton de la télécommande accompagné d'une petite flamme, vous entendrez une bip additionnelle (cela confirmant que le code est réglé). - Remplacez le récepteur.
Interrupteur mural est en position « off »; le brûleur s'allume.	L'interrupteur mural est monté à l'envers.	- Inverse.
	Interrupteur mural et/ou le fil est relié à la terre.	- Remplacer. - Vérifier la masse (court); réparer ou remplacer les fils.
	Câblage défectueux.	- Remplacer.
Le télécommande/récepteur ne fonctionne pas correctement.	La télécommande s'allume mais aucune étincelle ou flamme. La télécommande est verrouillée.	- Réinitialiser en tournant l'alimentation « off » puis « on ». note: Si les piles de sauvegarde sont installées, ils doivent être pour programmer le télécommande.
	Les piles sont faibles.	- Remplacez les piles.
	Erreur de synchronisation.	- Réinitialiser la télécommande et le récepteur.
	Télécommande est trop loin du récepteur.	- Voir la section « schéma de câblage ».
Les flammes sont très actives.	La porte est ouvert.	- Assurez-vous que la porte est bien fermée.
L'appareil n'effectue aucune fonction.	Pas de puissance au système.	- Vérifiez que le disjoncteur est dans le position « on ».
	L'interrupteur du récepteur est à la mauvaise position (si équipé).	- Vérifiez que le récepteur est dans le position « remote » (milieu)
	La télécommande ne fonctionne pas.	- Vérifiez les piles ainsi que leur orientation.
Appareil s'éteint constamment.	L'interrupteur de surchauffe s'est déclenché.	- Votre appareil (modèles LV équipé avec DHC ou modèles LVX) est équipé avec un interrupteur de surchauffe qui éteindra votre appareil dans l'évent que votre foyer et/ou enceinte rapproche une température de fonctionnement non sécuritaire. Contactez un technicien qualifié.

9.1 questions fréquente

1. J'entends un bruit grinçant ou autotaraudeuse lorsque ma cheminée se réchauffe ou se refroidit. Y a-t-il quelque chose de mal ?

Non, les cheminées sont construites de métal qui se dilate comme il se réchauffe et contracts en refroidissant. Ceci est normal et a été examiné dans la conception du produit. Bruits pendant et vers le bas en particulier dans les mois d'hiver ne sont aucun lieu de s'alarmer.

2. Ma cheminée dégage toujours une odeur pour la première fois que je l'utilise à l'automne. Y a-t-il quelque chose de mal ?

Non, lorsque la cheminée n'a pas été utilisée pour un certain temps, la maison aux poussières peut se déposer sur certaines composantes et une odeur peut être observée pendant les premières heures de la saison. Ce n'est normalement aucun lieu de s'alarmer. Les effets peuvent être atténués avec un nettoyage périodique (voir la section « entretien »).

3. À quelle fréquence dois-je nettoyer l'intérieur de la porte de verre de cheminée ?

Après la première « burn-in », le verre ne devons être nettoyés périodiquement, selon les conditions environnementales, la quantité d'utilisation, etc.. Nous recommandons que le verre est toujours nettoyé par un installateur agréé ou un technicien de service au cours de l'entretien annuel. Le propriétaire de la maison est également capable de nettoyer la vitre plus souvent quand il devient sale basé sur leur des habitudes d'utilisation, voir la section « entretien ».

4. Il y a condensation sur les verre ou les portes de mon appareil. Est quelque chose de mal?

Non, la condensation ou brouillard sur le verre est une partie normale du processus de démarrage qui se traduit comme un sous-produit de la combustion. Comme la chambre de combustion se réchauffe, la condensation va commencer à se dissiper. Voir la section « entretien » pour obtenir des instructions sur le nettoyage de votre porte de verre(s).

5. Ma télécommande ne plus synchroniser avec récepteur (support de batterie [y compris le commutateur]) et fonction ou?

Assurez-vous que votre chargeur de batterie (y compris l'interrupteur) est sur la position (celle du milieu) télécommande. S'assurer que les piles dans les deux la batterie titulaire (y compris l'interrupteur) et la télécommande ne doivent pas être remplacés. (Sur le changement des piles dans la télécommande et le récepteur, il peut être nécessaire [dans de rares cas] pour remplacer le système distant. Systèmes distants sont garantis pendant un an).

6. Pourquoi ma cheminée a-t-elle besoin d'inspections annuelles?

Foyers à gaz ont besoin d'un contrôle annuel afin de maintenir la sécurité et la fiabilité. Il est préférable d'obtenir votre cheminée vérifiée chaque printemps ; de cette façon, vous avez une cheminée fonctionne parfaitement tout au long de l'année quand vous en avez besoin. Il s'agit d'une pratique très importante, dont beaucoup donnent sur. Parce que les foyers à gaz brûlent propres et sont très faciles à prendre en charge, certains pensent que cela signifie qu'il n'a pas besoin de nettoyage. La sécurité est toujours numéro un quand il s'agit de profiter d'un feu de cheminée dans votre espace de vie. En ayant un contrôle annuel, vous assurer que votre belle cheminée fonctionne à plein rendement pour chaque fois que vous avez besoin que le confort lumineux. Entretien doit également assurer que toute garantie ayant trait préoccupations dans les limites et les conditions sont toujours couverts.

7. Est-ce que mon appareil peut continuer à fonctionner s'il y a une panne de courant?

Votre appareil est équipé avec un bloc-pile sauvegarde (bloc-piles pour les modèles L et un support de batterie (inclus commutateur) pour les modèles LV / LVX . Si installés, les piles permettra le pilote et le brûleur à fonctionner. Cependant, les lumières ne fonctionnera pas. Additionnellement, si votre appareil a été installé avec un GPV (Terminaison à Évacuation Mécanique), votre appareil ne fonctionnera pas.

8. Devrais je laisser mon ACS / pilote ou non?

Commutateurs anticondensation (ACS) sont utilisés dans des climats plus froids sur les modèles de l'allumage électronique où il y a un risque accru pour l'humidité de l'extérieur et les produits de la combustion de se condenser sur les surfaces intérieures de l'Assemblée de la chambre de combustion, verre et pilote lorsque le brûleur s'éteint. L'ACS réduit le potentiel de corrosion et de coloration du verre. Un autre avantage de l'utilisation de l'ACS, c'est que cela aidera à garder le projet mis en place lorsque le brûleur est éteint et empêche un bloc de l'air froid ne se produise. Cela permet plus rapides ré-allumages avec moins de redémarrages, surtout pendant les temps plus froids. L'ACS/pilote devrait être éteinte dans des climats plus chauds ou les mois d'été afin d'éviter le gaspillage de gaz.

Dans le cas d'aucun doute, contactez votre détaillant agréé ou un technicien qualifié.

Pour plus de questions fréquentes, visitez notre site web: <http://napoleonfoyers.com/faqs>.

10.0 garantie

FR

Les produits **Napoléon** sont fabriqués conformément aux normes strictes du Certificat d'Assurance de la Qualité mondialement reconnu ISO 9001 : 2008.

Les produits **Napoléon** sont conçus avec des composants et des matériaux de qualité supérieure, assemblés par des artisans qualifiés qui sont fiers de leur travail. Le brûleur et le montage de la soupape subissent un test de détection de fuite et d'allumage à une station de test de qualité. Une fois assemblé, chaque appareil est soigneusement inspecté par un technicien qualifié avant d'être emballé pour garantie que vous, le client, recevez le produit de qualité dont vous attendez de **Napoléon**.

Garantie à Vie Limité du Président des Appareils au Gaz Napoléon

Les matériaux suivants et la fabrication de votre nouveau appareil au gaz **Napoléon** sont garantis contre les défauts tant que vous en êtes le propriétaire. Ceci couvre: la chambre de combustion, l'échangeur de chaleur, le brûleur en acier inoxydable, les bûches PHAZER™ et les braises, les roches, la vitre en céramique (cassure thermique seulement), les pièces plaquées ou contre le ternissement, les composants en porcelaine émaillée et les moulures d'extrusion en aluminium.*

Les composants électriques (110V et millivolt) et les pièces soumises à l'usure sont couverts et **Napoléon** fournira gratuitement les pièces de rechange durant la première année de la garantie limitée. Ceci couvre: la soufflerie, les soupapes de gaz, l'interrupteur thermique, les interrupteurs, l'installation électrique, les télécommandes, l'allumeur, les joints d'étanchéité et l'assemblage de la veilleuse.*

Les coûts de main-d'oeuvre relatifs aux réparations garanties sont couverts gratuitement durant la première année. (Les coûts de main-d'oeuvre n'est pas disponible pour l'ensemble de bûches à gaz). Cependement, les travaux de réparation nécessitent l'approbation préalable d'un représentant autorisé de la compagnie. Les coûts de main-d'oeuvre à la charge de **Napoléon** sont basés sur un programme de tarifs prédéterminé et tout travail de réparation doit être accompli par l'entremise d'un représentant autorisé **Napoléon**.

* La fabrication de chaque modèle varie. La garantie s'applique uniquement aux composants disponibles avec votre appareil.

Conditions et Limitations

Napoléon garantit ses produits contre les défauts de fabrication à l'acheteur d'origine seulement. L'enregistrement de la garantie n'est pas nécessaire. Fournissez simplement une preuve d'achat ainsi que la modèle et le numéro de série afin d'effectuer une réclamation de garantie.

Napoléon se réserve le droit de demander à son représentant d'inspecter tous produits ou pièces avant d'honorer toute réclamation. L'achat doit avoir été fait par l'entremise d'un détaillant **Napoléon** autorisé et sous réserve des conditions et limitations suivantes:

La couverture de la garantie débute à partir de la date d'installation originale. Cette garantie du fabricant n'est pas transférable et ne peut être prolongée par aucun de nos représentants. L'appareil au gaz doit être installé par un installateur autorisée qualifié, une agence de service ou fournisseur. L'installation doit être faite conformément aux instructions d'installation incluses avec le produit et à tous les codes d'incendie et de construction locaux et nationaux. Cette garantie limitée ne couvre pas les dommages causés par un mauvais usage, un manque d'entretien, un accident, des altérations, des abus ou de la négligence et l'installation de pièces d'autres fabricants annulera cette garantie. Cette garantie limitée ne couvre pas non plus les égratignures, les bossellements, la corrosion ou la décoloration causés par une chaleur excessive, des produits d'entretien chimiques et abrasifs ou l'écaillage des pièces en porcelaine émaillée, le bris par manipulation des bûches PHAZER™ et des braises.

Cette garantie s'étend à la réparation ou au remplacement des pièces garanties dont les matériaux ou la fabrication sont défectueux à la condition que le produit ait été utilisé conformément aux instructions de fonctionnement et dans des conditions normales. Après la première année, concernant cette Garantie à Vie Limitée du Président, **Napoléon** peut, à sa discrétion, se libérer entièrement de toutes obligations en ce qui concerne cette garantie en remboursant à l'acheteur d'origine le prix de gros de toute pièce garantie qui est défectueuse.

Napoléon ne sera pas responsable de l'installation, de la main-d'oeuvre ou autres dépenses relatives à la réinstallation d'une pièce garantie et de telles dépenses ne sont pas couvertes par cette garantie.

Nonobstant toutes les dispositions contenues dans cette Garantie à Vie Limitée du Président, la responsabilité de **Napoléon** sous cette garantie est définie comme ci-dessus et elle ne s'appliquera à aucun dommage accidentel, consécutif ou indirect. Cette garantie définit l'obligation et la responsabilité de **Napoléon** en ce qui concerne l'appareil au gaz **Napoléon** et toute autre garantie énoncée ou implicite en ce qui concerne ce produit, ses composants ou accessoires est exclue.

Napoléon n'endosse ni n'autorise aucun tiers à assumer en son nom, toute autre responsabilité concernant la vente de ce produit.

Napoléon ne sera pas responsable d'une surchauffe, des refoulements, des déversements causés par des conditions environnementales telles que des toits, des bâtiments, la proximité d'arbres, de collines, de montagnes, une ventilation ou des événements inadéquats, une configuration d'évacuation excessive, un apport d'air insuffisant ou des pressions négatives qui peuvent ou non être causés par des systèmes mécaniques tels que les ventilateurs d'évacuation, les fournaies, les sècheuses de linge, etc. Tout dommage causé à l'appareil, à la chambre de combustion, à l'échangeur de chaleur, aux garnitures plaquées ou autres composants par l'eau, les dommages causés par les intempéries, de longues périodes d'humidité, la condensation, des produits chimiques ou produits d'entretien nuisibles ne seront pas la responsabilité de **Napoléon**. Toutes les pièces remplacées en vertu de la politique de Garantie à vie limitée du Président ne peuvent faire l'objet que d'une seule réclamation. Durant les dix premières années,

Napoléon remplacera ou réparera les pièces défectueuses qui sont couvertes par la garantie à vie limitée à sa discrétion gratuitement. Après les dix premières années, **Napoléon** fournira les pièces de rechange à 50% du prix de détail courant. Toutes les pièces remplacées au titre de la garantie seront couvertes pour une période de 90 jours à partir de leur date d'installation. Le fabricant peut exiger que les pièces défectueuses ou les produits soient retournés ou que des photos numériques soient fournies pour valider la réclamation. Les produits retournés doivent être expédiés port payé au fabricant pour une inspection en usine. Si un produit est déclaré défectueux, le fabricant le réparera ou le remplacera. Avant d'expédier votre appareil ou les pièces défectueuses, votre détaillant doit obtenir un numéro d'autorisation. Toute marchandise expédiée à notre usine sans autorisation sera refusée et retournée à l'expéditeur. Les coûts d'expédition ne sont pas couverts par cette garantie. Des frais de service supplémentaires peuvent être appliqués si vous cherchez à obtenir des services au titre de la garantie auprès d'un détaillant. Les indemnités de main-d'oeuvre au titre de la garantie s'appliquent uniquement pour le remplacement d'une pièce garantie. Les frais de déplacement, de tests de diagnostic, d'expédition et autres frais afférents ne sont pas couverts par cette garantie.

Toutes les spécifications et les conceptions sont sujettes à modifications sans préavis en raison des améliorations constantes apportées au produit. **Napoléon** est une marque de commerce déposée de Wolf Steel Ltée.

NAPOLÉON CÉLÈBRE PLUS DE 40 ANS D'EXISTENCE CONSACRÉS À LA CONCEPTION DE PRODUITS DE CONFORT



7200, Route Transcanadienne, Montréal, Québec H4T 1A3
24 Napoleon Road, Barrie, Ontario, Canada L4M 0G8
214 Bayview Drive, Barrie, Ontario, Canada L4N 4Y8
103 Miller Drive, Crittenden, Kentucky, USA 41030

Téléphone: 1-866-820-8686
napoleonproducts.com