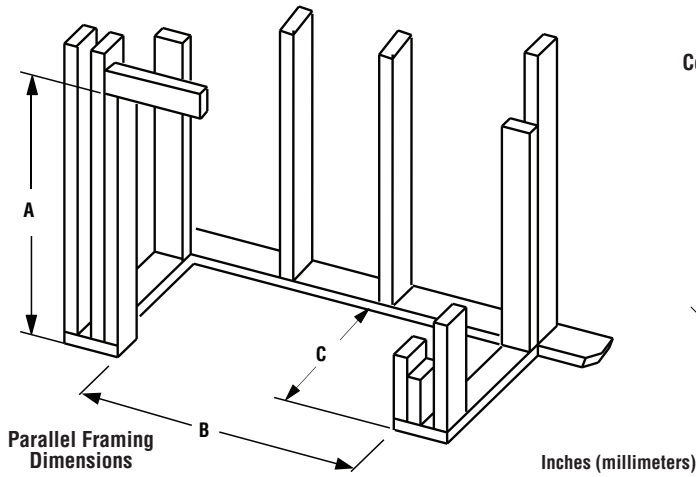


# Plantation48

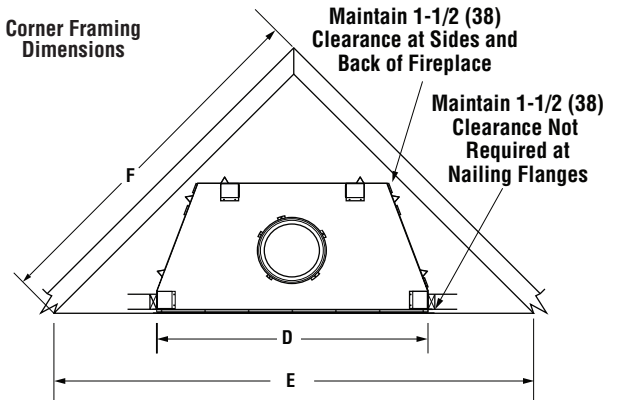
## WOOD-BURNING FIREPLACE (Box only, Mosaic Masonry Brick Liner Required)

Framing Dimensions



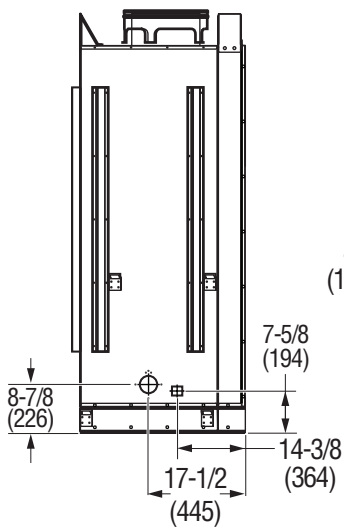
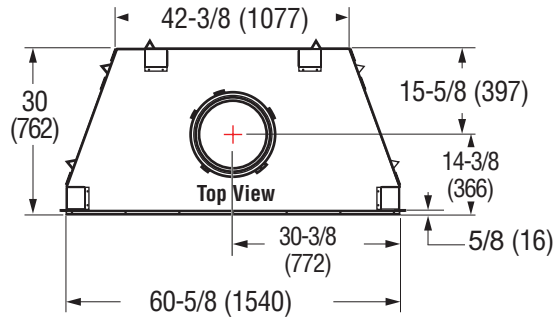
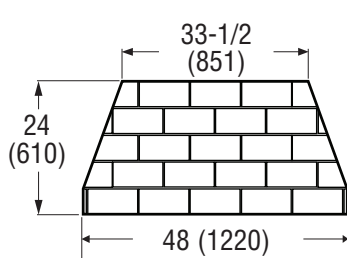
Plantation48	
A	76-3/8 (1940)
B	60-7/8 (1547)
C	31-5/8 (804)

Corner Framing Dimensions

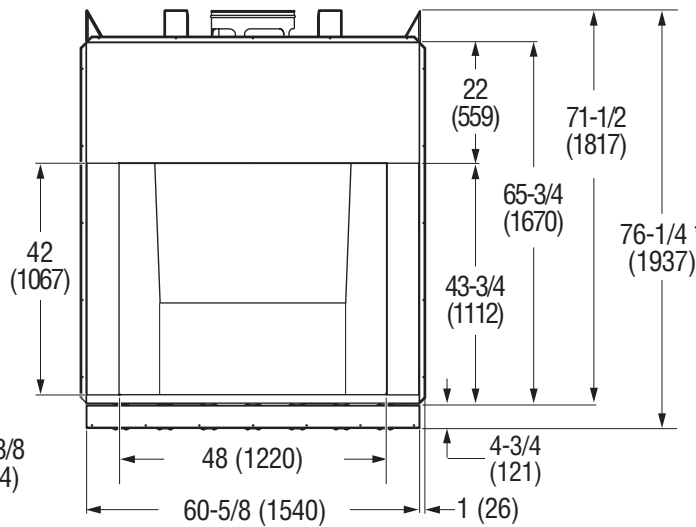


Plantation48	
D	60-7/8 (1547)
E	107-3/8 (2728)
F	78-7/8 (2004)

Fireplace Dimensions

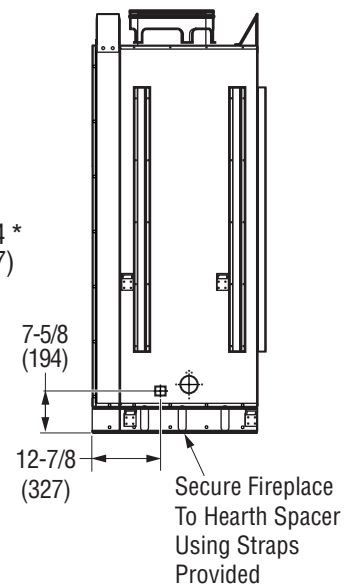


Side View



\*With Hearth Spacer

Front View



Side View

Inches (millimeters)

# Plantation48

Product Information

Fireplace Reference Information			
Cat. No.	Model	Shipping Wt.	Shipping Vol.
F4255	Plantation48	347 lbs.	139.8 cu. ft.

Mosaic Masonry Brick Reference Information			
Cat. No.	Description	Shipping Wt.	Shipping Vol.
F4253	8048 Split Stk Mosaic Msny Pnl Set Red	630 lbs.	29.8 cu. ft.
F4254	8048 Split HB Mosaic Msny Pnl Set Ivory	630 lbs.	29.8 cu. ft.

Listing Information

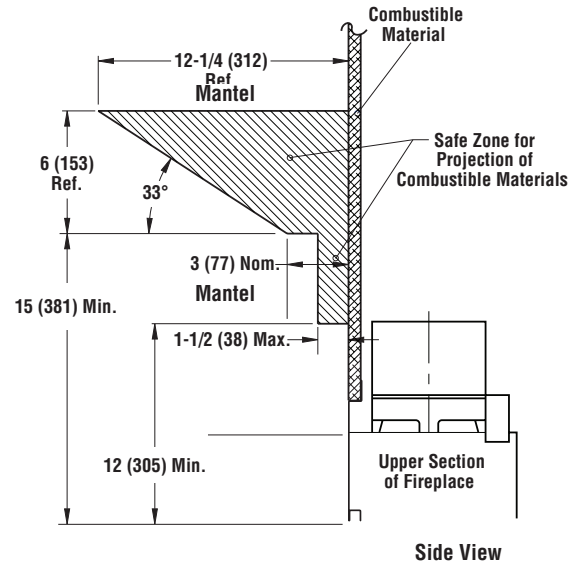


These fireplaces have been tested and approved by PFS TECO under UL127/ULC-S610 standard as a Factory Built Appliance and may be used with gas logs approved to ANSI Z21.60, Z21.84 or Z21.11.2 standards.

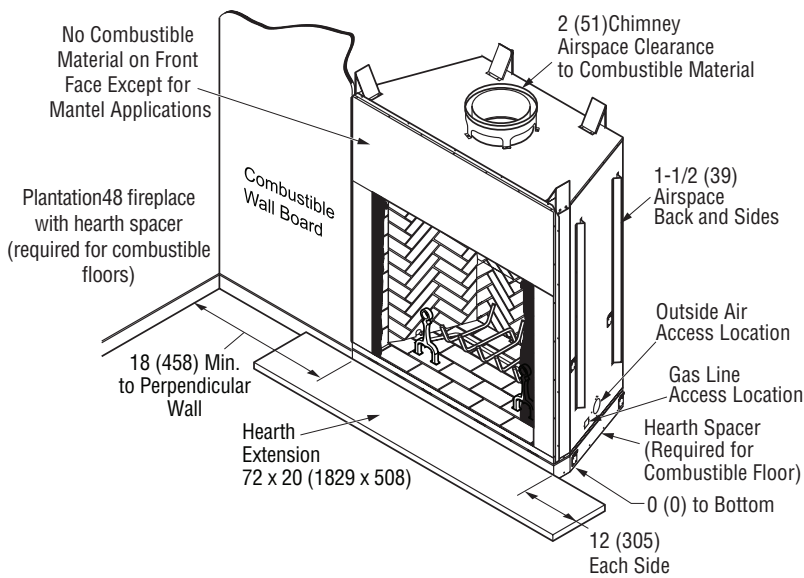
Clearances to Combustibles	
Description	Min. Clearance
Back and sides of fireplace	1-1/2 (38)*
Front of fireplace	48 (1220)
Floor	0 (0)**
Perpendicular wall to opening	18 (458)
Top spacers	0 (0)
Chimney outer pipe surface	2 (51)

\* Not required at nailing flanges  
 \*\* See step 2 of Framing in the Installation and Operation Manual

## Mantel Clearances



Clearances



Venting

**Venting**  
 Uses Standard (12DM) and Hi-Temp (12HT) Wood-Burning Chimney and Hi-Temp (12HT) Wood-Burning Chimney

