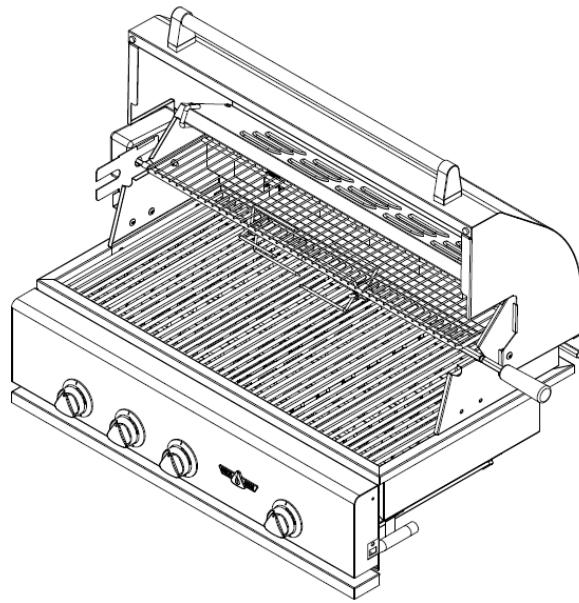




## DELTA HEAT 38" OUTDOOR GAS GRILLS WITH INFRARED ROTISSERIE



### DHBQ38R

#### Features:

- ▼ 304 Stainless Steel Construction
- ▼ Direct heat grilling system with ceramic briquettes for even heat distribution
- ▼ Double walled seamless front hood with thermometer
- ▼ One piece front panel with polished hi-lites
- ▼ Two Interior halogen light
- ▼ Stainless steel round grates
- ▼ Three 20,000 BTU stainless steel burners
- ▼ 14,000 BTU infrared rear rotisserie burner
- ▼ Two position rotisserie with heavy duty stainless steel motor
- ▼ 9V battery electronic ignition
- ▼ 625 sq in. grilling space
- ▼ 210 sq in. warming rack
- ▼ Optional sear zone kit available

#### Specifications:

##### Overall dimensions

|         |           |
|---------|-----------|
|         | DHBQ38R   |
| Height: | : 21.875" |
| Width   | : 38.00"  |
| Depth   | : 20.50"  |
| Weight  | : 170 lbs |

##### Cutout Dimension

|        |          |
|--------|----------|
|        | DHBQ38R  |
| Height | : 9.50"  |
| Width  | : 36.50" |
| Depth  | : 19.75" |