

# CALLAWAY 72 & CALLAWAY 50

DIRECT VENT GAS FIREPLACES



Callaway 72 shown with a Komfort Zone Kit, no surround, Birch Log set, Black Glass refractory, Reflective Midnight Crushed Glass burner media, and Black Sand perimeter.

QUALITY FIREPLACES FOR LIFE.

**KOZY**  **HEAT**  
FIREPLACES

Callaway 50 shown with a Forged decorative surround, Beach Accent Kit, Ledgestone refractory, Lava Rock burner media, and a Vermiculite perimeter



# CALLAWAY SERIES

## Decorative Surrounds

Sizes shown below: Callaway 72 / Callaway 50

74-3/8" / 52-3/8"

17-1/8" /  
15-1/2"



**No Surround**  
*Screen Only*

78-1/8" / 56-1/8"

21-1/8" /  
19-1/2"



**Rectangle Surround (1 Piece)**  
*Available in Black*

80-1/4" / 58-1/4"

23-3/8" /  
21-13/16"



**Rectangle Surround (4 Piece)**  
*Black*

80-1/4" / 58-1/4"

23-3/8" /  
21-13/16"



**Rectangle Surround (4 Piece)**  
*Brushed Stainless*



The Callaway 72 shown with a Komfort Zone Kit, a Gallery Surround, Rock Accent media kit, Black Glass refractory, Reflective Midnight Crushed Glass burner media, and a Lava Rock perimeter



81-3/16" / 59-3/16"

24-1/2" / 22-9/16"



**Forged Surround**  
*Vintage Bronze*

81-3/16" / 59-3/16"

24-1/2" / 22-9/16"



**Forged Surround**  
*Weathered Charcoal*

87" / 65"

22-7/8" / 21-1/4"



**Gallery Surround**  
*Black*

87" / 65"

22-7/8" / 21-1/4"



**Gallery Surround**  
*Brushed Stainless*

Callaway 72 shown with a Vented Cavity, no surround, Traditional Log Set, a Chicago Brick refractory, Reflective Copper Crushed Glass burner media, and Lava Rock perimeter



## CALLAWAY SERIES

### Media & Refractory Options



Rock Accent Media Kit with Black Glass refractory, Reflective Midnight Crushed Glass burner media, and a Black Sand perimeter



Beach Accent Kit with Legestone refractory, Lava Rock media, and a Vermiculite perimeter



Traditional Log Set with Chicago Brick refractory, Reflective Copper Crushed Glass burner media, and a Lava Rock perimeter



Traditional Log set with Black Reflective Glass refractory, Reflective Midnight Crushed Glass burner media, and Black Glass perimeter



*Callaway 72 Only*  
Birch Log Set with a Black Reflective Glass refractory, Reflective Midnight Crushed Glass burner media, and Black Sand perimeter





Callaway 50 shown with a Gallery decorative surround, Rock Accent Media Kit with Black Glass refractory, Reflective Midnight Crushed Glass burner media and a Black Sand perimeter

## Burner & Optional Perimeter Media



Reflective Midnight Crushed Glass  
*Burner & Perimeter Media*



Reflective Copper Crushed Glass  
*Burner & Perimeter Media*



Lava Rock  
*Burner & Perimeter Media*



Vermiculite  
*Perimeter Media*



Black Sand  
*Perimeter Media*



Black Glass Panel  
*Perimeter Media*

## Burn Videos



Callaway 72  
Rock Accent Kit



Callaway 50  
Rock Accent Kit



Callaway 72  
Birch Log



Callaway 50  
Traditional Log Kit



Callaway 72  
Beach Accent Kit

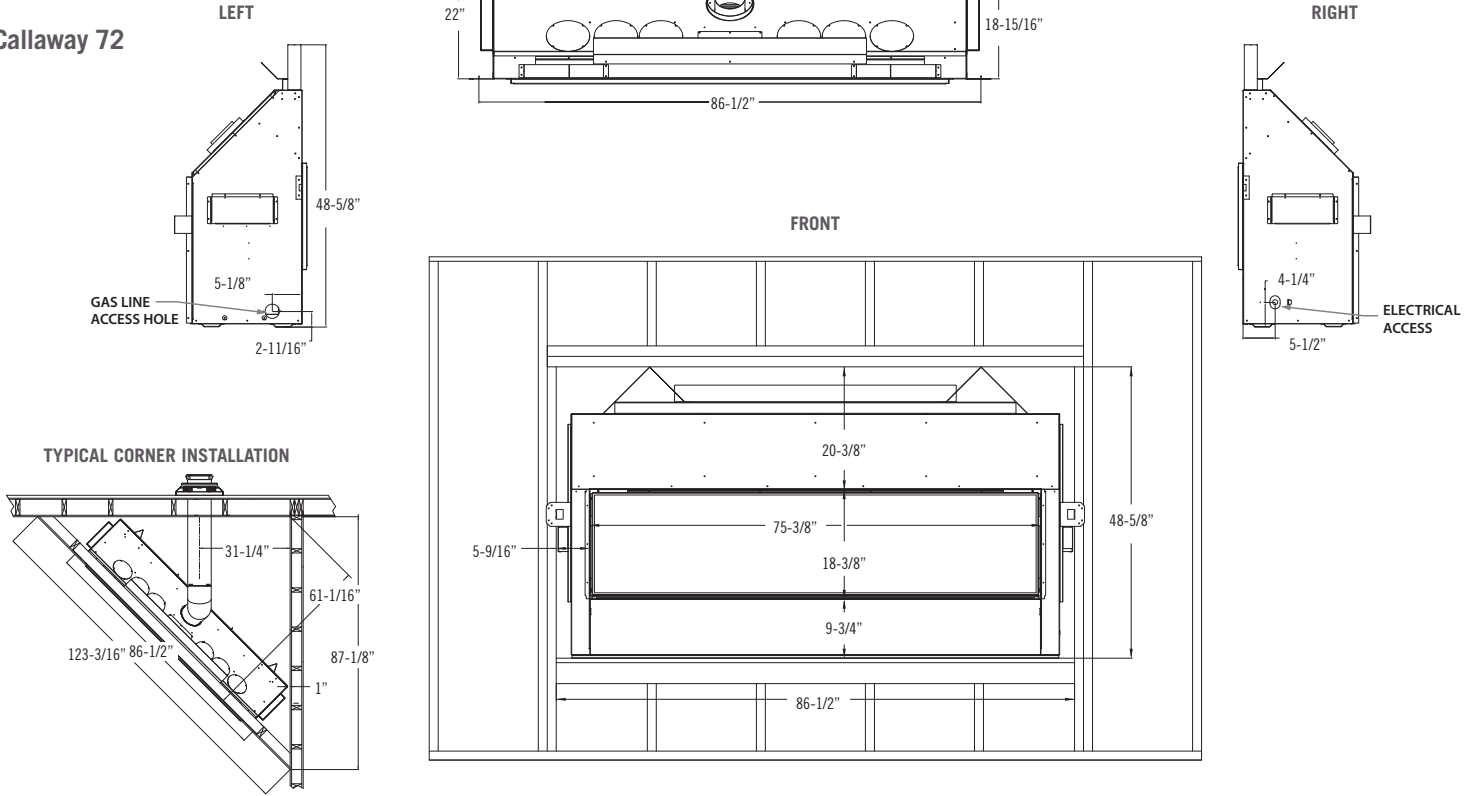


Callaway 50  
Beach Accent Kit

# CALLAWAY SERIES

## Specifications

### Callaway 72



### Clearances | Without Komfort Zone Kit

Model	Callaway 50	Callaway 72
From appliance top stand-off brackets	3-1/2"	0"
From appliance left & right stand-off brackets	0"	0"
From appliance back stand-off brackets	0"	0"
From appliance corners	3"	1"
From appliance front	36"	36"
Appliance sides to adjacent sidewall	3"	6"
Fireplace finishing edge to 3/4" trim	18"	16-1/2"
Mantle 6" deep from fireplace finishing edge	21-1/2"	20"
Mantle 6" deep from fireplace enclosure floor	48"	48-1/4"
Minimum height of fireplace enclosure	48"	79-1/4"

### Clearances | With Komfort Zone Kit

Model	Callaway 50	Callaway 72
Fireplace finishing edge to 3/4" trim	0"	0"
Mantel 6" deep from fireplace finishing edge	0"	0"
Mantel 6" deep from fireplace enclosure floor	26-1/2"	28-1/8"

### Heat Distribution Kit

Model	Callaway 50	Callaway 72
Komfort Zone Kit	Optional	Optional
Powervent	N/A	Optional
Vented Cavity	N/A	Optional
Transfer Kits	N/A	Optional

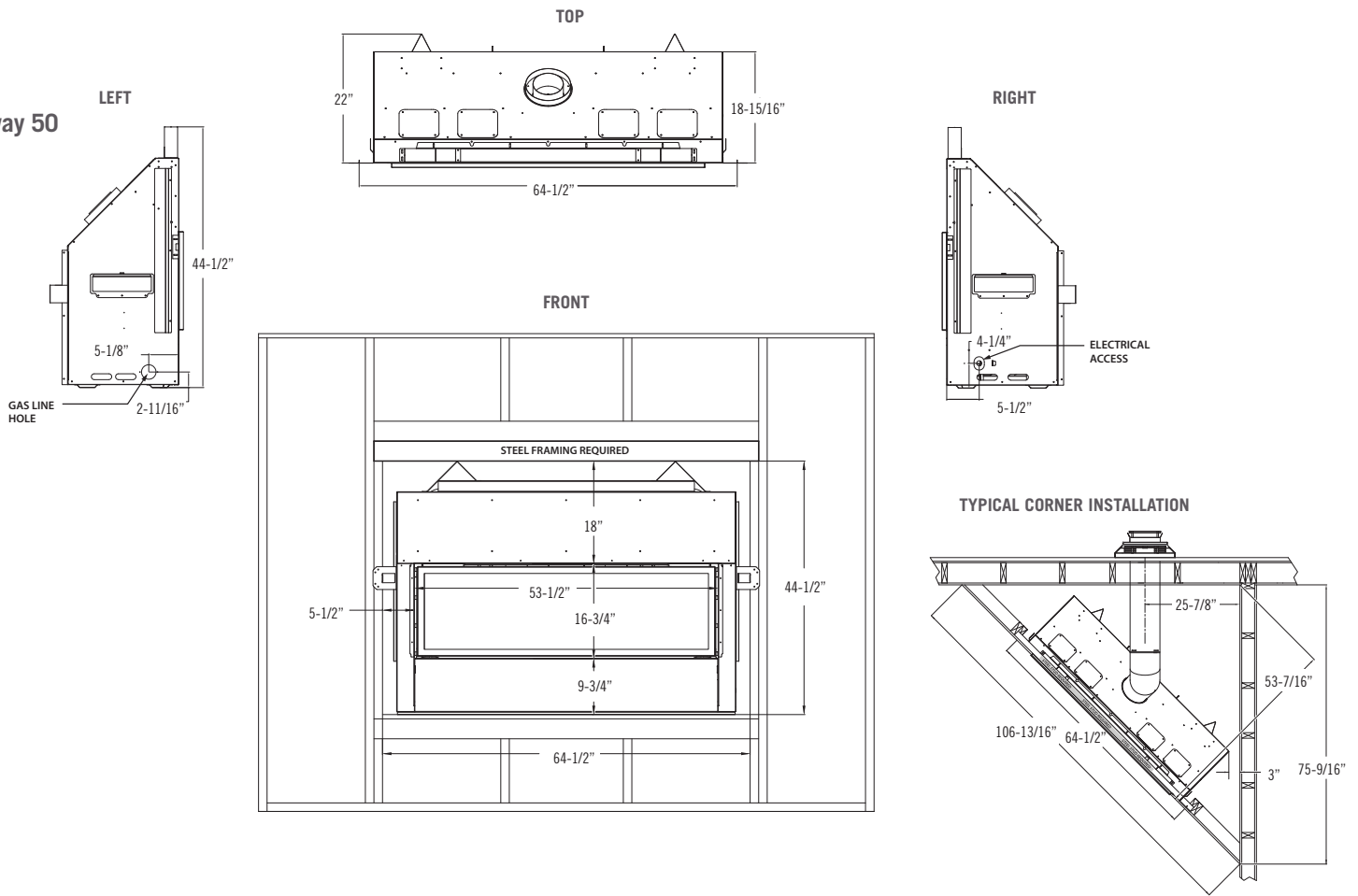
Model	Callaway 50	Callaway 72
<b>Height</b>	39"	40-3/4"
<b>Width</b>	59-1/2"	81-1/2"
<b>Depth</b>	18-15/16"	22"
<b>Weight</b>	293 lbs	410 lbs
<b>Viewing Area</b>	49-7/8" x 13-3/8"	72-7/8" x 15-3/4"
<b>BTU NG High / Low</b>	35,500 / 18,500	49,500 / 25,000
<b>BTU LP High / Low</b>	35,000 / 18,000	49,000 / 24,500
<b>ENERGUIDE P.4</b>	73.49% / 72.74%	73.77% / 73.57%
<b>Steady State NG/LP</b>	72.59% / 70.49%	75.91% / 75.92%
<b>AFUE%: NG/LP</b>	66.50% / 63.97%	74.77% / 74.66%
<b>Valve System</b>	IPI	IPI
<b>Optional Media Options</b>	Traditional Logs, Beach Accent Kit, Rock Accent Kit	Traditional Logs, Beach Accent Kit, Rock Accent Kit, Birch Logs
<b>Optional Refractory</b>	Black Glass, Chicago Brick, Ledgestone	Black Glass, Chicago Brick, Ledgestone
<b>Ceramic Glass</b>	Standard	Standard
<b>Burner Media (Required)</b>	Reflective Crushed Glass, Lava Rock	Reflective Crushed Glass, Lava Rock
<b>Optional Perimeter Media</b>	Reflective Crushed Glass, Lava Rock, Black Sand, Vermiculite, Black Glass Panel	Reflective Crushed Glass, Lava Rock, Black Sand, Vermiculite, Black Glass Panel
<b>Fan Kit</b>	Optional	Optional
<b>Screen Front</b>	Included	Included
<b>Light Kit</b>	Standard	Standard

Features, Options & Specifications are subject to change.

### Each unit factory tested

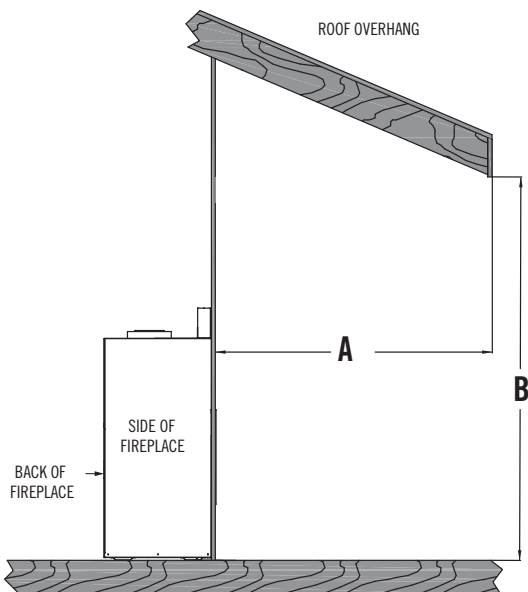
Refer to the installation manuals for complete installation & venting requirements. See additional mantel clearance configurations in the installation manual.

## Callaway 50

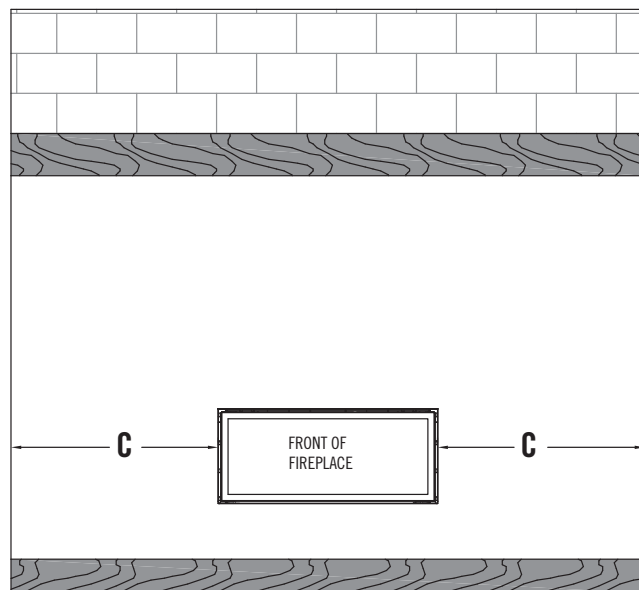


## Outdoor Covered Fireplace Install

- Fireplace operation is approved from 40 degrees F to 110 degrees F
- All wiring connections shall be in accordance with outdoor requirements of NECA NFPA 70
- All clearances and requirements in your appliance manual must be adhered to



The overhang (A) must be a minimum of 1/2 or greater of the roofline elevation (B) above the base of the fireplace.



The width of the overhang to each side of the appliance (C) must be a minimum of 1/2 or greater of the roofline elevation (B) above the base of the fireplace.

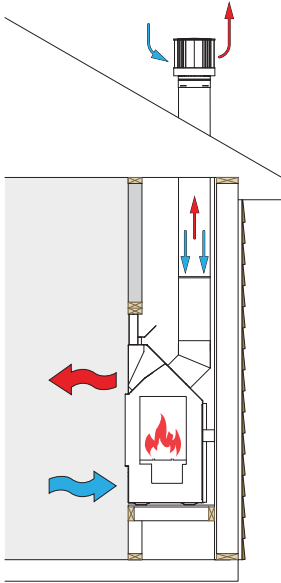
**EXAMPLE:** If roofline (B) is 10 ft. about the base of the fireplace, the overhang (A) must be 5 ft. or greater. The width of the overhang to EACH side of the fireplace (C) must be 5 ft. or greater.

# CALLAWAY SERIES

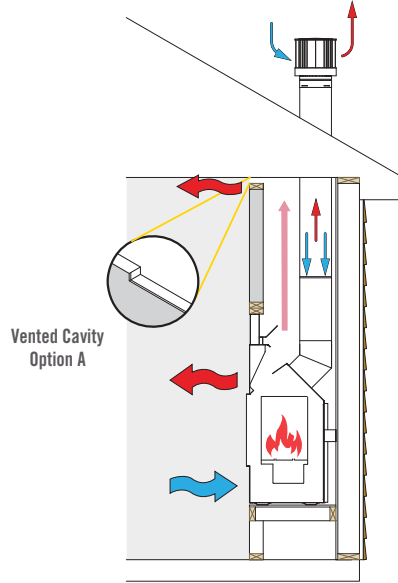
Fireplace brochures are for advertising purposes only. Refer to the specific fireplace manual for installation.

## Kozy 'Heat Distribution'

### Direct Vent No Heat Distribution

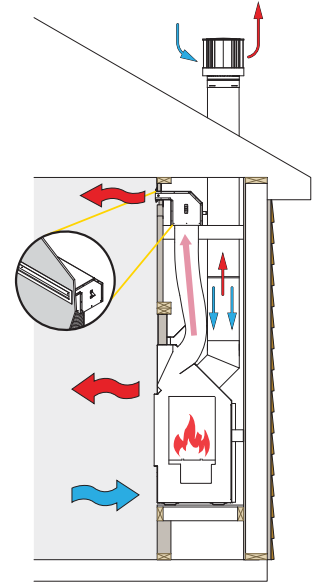


### Vented Cavity



Vented Cavity  
Option A

### Komfort Zone Kit

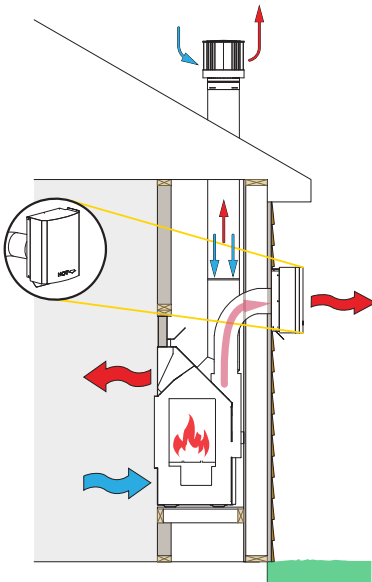


#### Callaway 72 Only

Callaway 72 offers the option to leave a minimum sized opening in the fireplace cavity. This installation option allows for combustible facing materials (shiplap, barn wood), heat reduction for a TV above the fireplace, and the ability to bring a 6" mantle down to the 3/4" finishing edge of the fireplace. See installation manual for complete details and requirements.

This kit requires (4) 5" aluminum flex pipes for the Callaway 50 & (6) 6" aluminum flex pipes for the Callaway 72, to be ran into a plenum that can be installed above the fireplace and divert a large portion of radiant heat. This installation option allows for combustible facing materials (shiplap, barn wood), heat reduction for a TV above the fireplace, and the ability to bring a 6" mantle down to the 3/4" finishing edge of the fireplace. See installation manual for complete details and requirements.

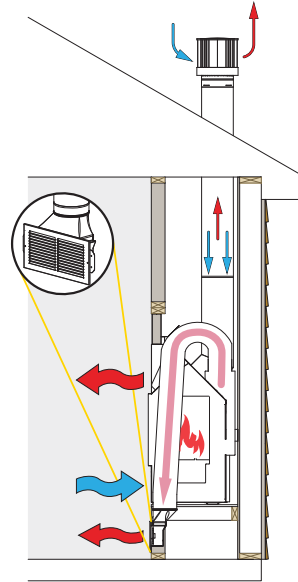
### Exterior Transfer Kit



#### Callaway 72 Only

The exterior heat transfer kit allows you to transfer heat directly outside. Up to 80% heat diffusion (2 kits) - 3' Min. - 25' Max. with variable speed control included

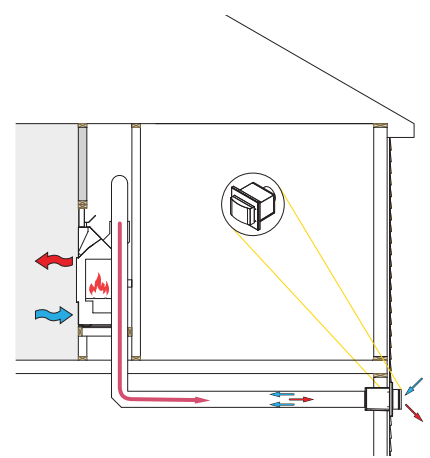
### Interior Transfer Kit



#### Callaway 72 Only

Transfer heat from the fireplace directly to other rooms in the home with an interior heat transfer kit. Allows up to 25% Heat Distribution (2 kits) - 3' Min. - 25' Max.

### Power Vent



#### Callaway 72 Only

The Callaway 72 has been approved for horizontal power vent applications. See installation manual for complete details and requirements.

- 6-5/8" x 4" Venting
- 100' Max. Run (60' Vertical/ 60'Horizontal Run Max.)
- 8' Max Vertical Drop Allowed
- Max. 8 - 90° Elbows (or up to 16 - 45° Elbows)
- Kozy Power Vent (KPV) System.

Wiring Harness Required and Sold Separately

In order to continually provide the highest quality product available, features/options, specifications & dimensions are subject to change. Refer to the unit installation manual for complete installation instructions. Installation must conform with local building codes. **In some regions it may be possible that this appliance qualifies for an energy rebate. See your local dealer for details regarding promotions and qualifications.**

Manufactured by Husong Mfg. Co., Inc.  
204 Industrial Park Drive, Lakefield, MN 56150  
Phone 1-800-253-4904 [www.kozyheat.com](http://www.kozyheat.com)

4-19



Product Line:



For complete information on the Kozy Heat product line, please contact us at:

FOR CALIFORNIA RESIDENTS ONLY

⚠ California Proposition 65 Warning

**WARNING:** This product can expose you to chemicals including Carbon Monoxide, that is an externally vented by-product of fuel combustion, which is [are] known to the State of California to cause birth defects or other reproductive harm. For more information, visit [www.P65Warnings.ca.gov](http://www.P65Warnings.ca.gov).