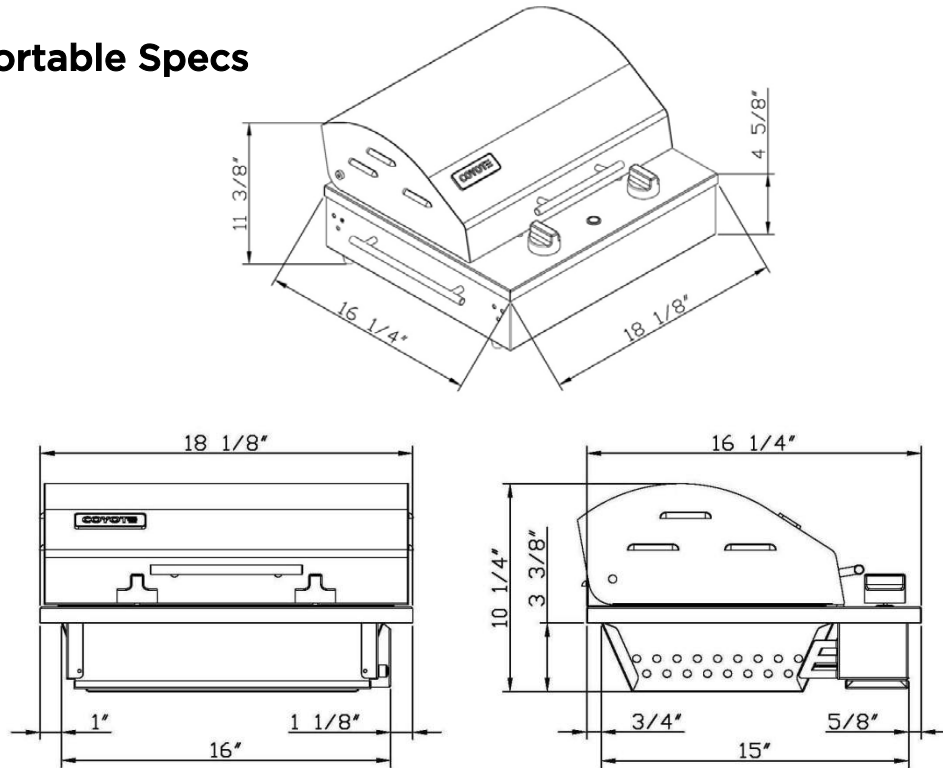


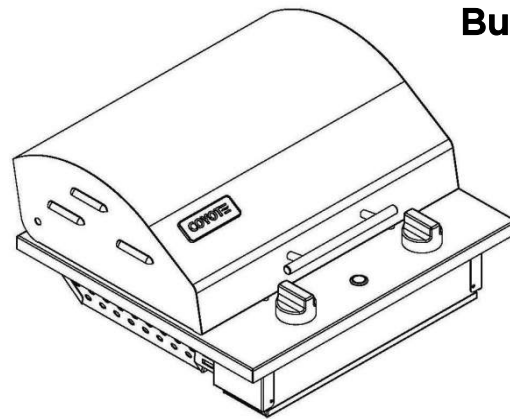
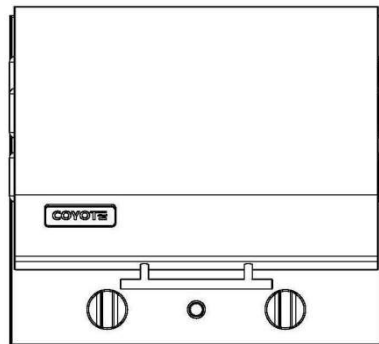
# C1EL120SM INSTALL GUIDE

## DIMENSIONAL RENDERINGS

### Portable Specs



### Built-In Specs



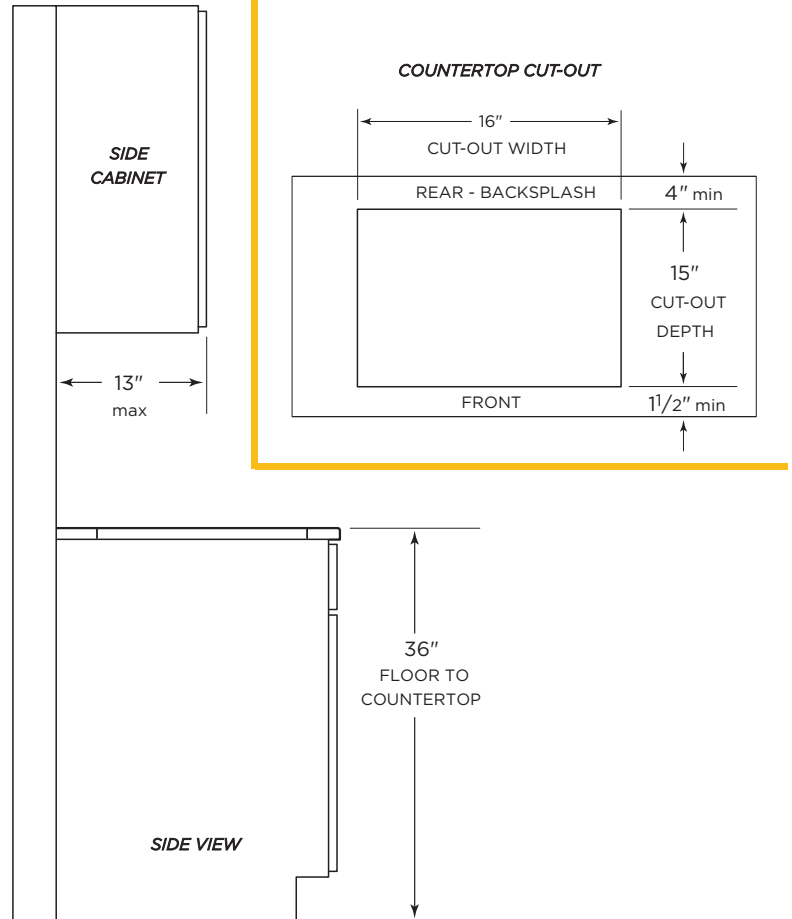
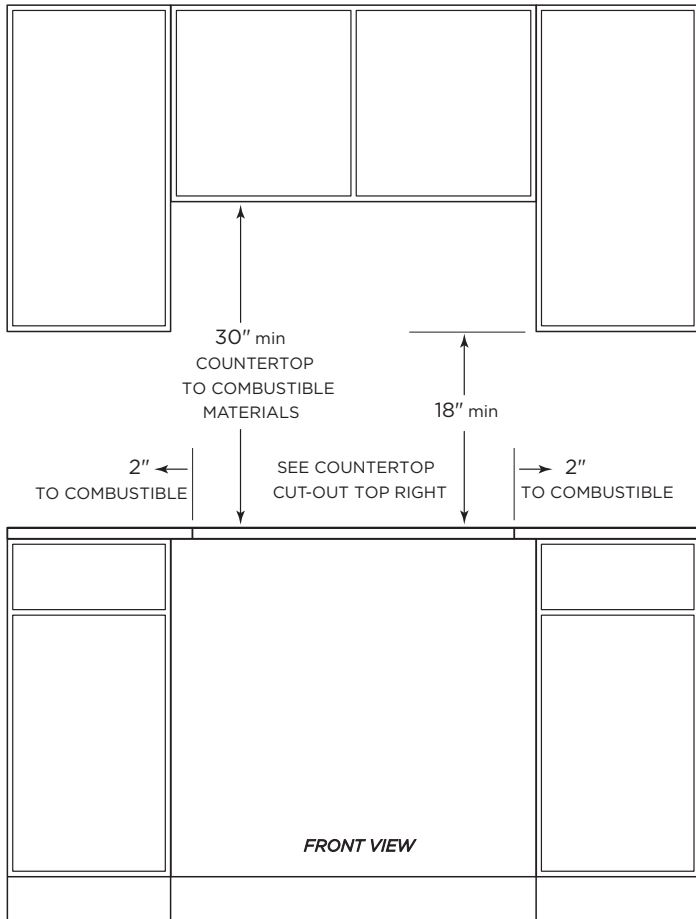
Overall Product Dimensions			
Model No.	Height	Width	Depth
C1EL120SM	11 3/8"	18 1/8"	16 1/4"

Cutout Dimensions for Island			
Model No.	Height	Width	Depth
C1EL120SM	3 3/8"	16"	15"

Model No.	Power Supply	Watts	Amps	Hz
C1EL120SM	120V AC	1300	11	60

**Important Note to Installer:** This file is not intended to replace your Owners' Manual which contains specific safety requirements and consumer guidelines. Please refer to your Owners' Manual prior to installing or operating your built-in grill.

# C1EL120SM INSTALL GUIDE



## Installation Requirements:

- ✓ Installation of this grill must meet the location requirements shown in the above installation illustration
- ✓ All dimensions listed are minimum requirements for safe operation
- ✓ Failure to locate the grill without proper clearances will result in a fire hazard
- ✓ For built-in situations, a minimum height clearance of 6-1/4" is required from the top of the counter top to any combustible material below the grill.
- ✓ This grill is approved for indoor or outdoor use, however a ventilation hood is always recommended for use indoors to provide additional air circulation
- ✓ Ventilation of any built-in enclosure is required for safety. Refer to your state, municipal and local codes for required specifications
- ✓ The grill should be installed by a qualified installer or technician that can follow all stated instructions within this guide and the owners manual of the grill

## Clearance Requirements:

- ✓ Maximum depth of overhead cabinets can be 13"
- ✓ Minimum height of countertop from floor should be 36"
- ✓ The minimum flat countertop surface that the grill will rest upon must be equal to or greater than the overall grill dimensions
- ✓ 30" minimum clearance between the top of the grill and the bottom of an unprotected wood or metal cabinet OR 24" minimum clearance when the bottom of wood or metal cabinet is protected by not less than 1/4" thick flame retardant mill board covered with not less than No. 28 MSG sheet steel, .015" thick stainless steel, .024" thick aluminum or .020" thick copper
- ✓ 4" minimum from backsplash of countertop to edge of grill. 1-1/2" minimum from front of counter to grill

## Electrical Requirements:

- ✓ This electric grill must be installed in accordance with National Electric Codes, as well as state, municipal and local codes
- ✓ The correct voltage, frequency and amperage must be supplied to the grill from a dedicated grounded circuit which is protected by a properly sized circuit breaker or time delay fuse.
- ✓ The proper voltage, frequency and amperage ratings are listed on the product rating plate.
- ✓ The grill must be properly grounded at all times when electrical power is applied

**Important Note to Installer:** This file is not intended to replace your Owners' Manual which contains specific safety requirements and consumer guidelines. Please refer to your Owners' Manual prior to installing or operating your built-in grill.